

PQS

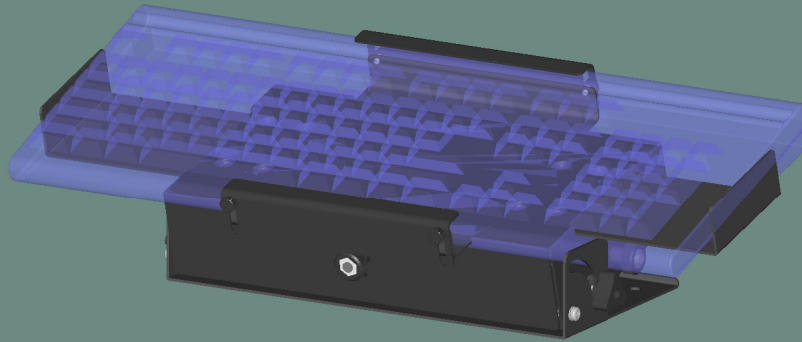
PRACTICAL QUALITY SYSTEMS

Fast Custom Manufacturing - Nationwide Installation Services

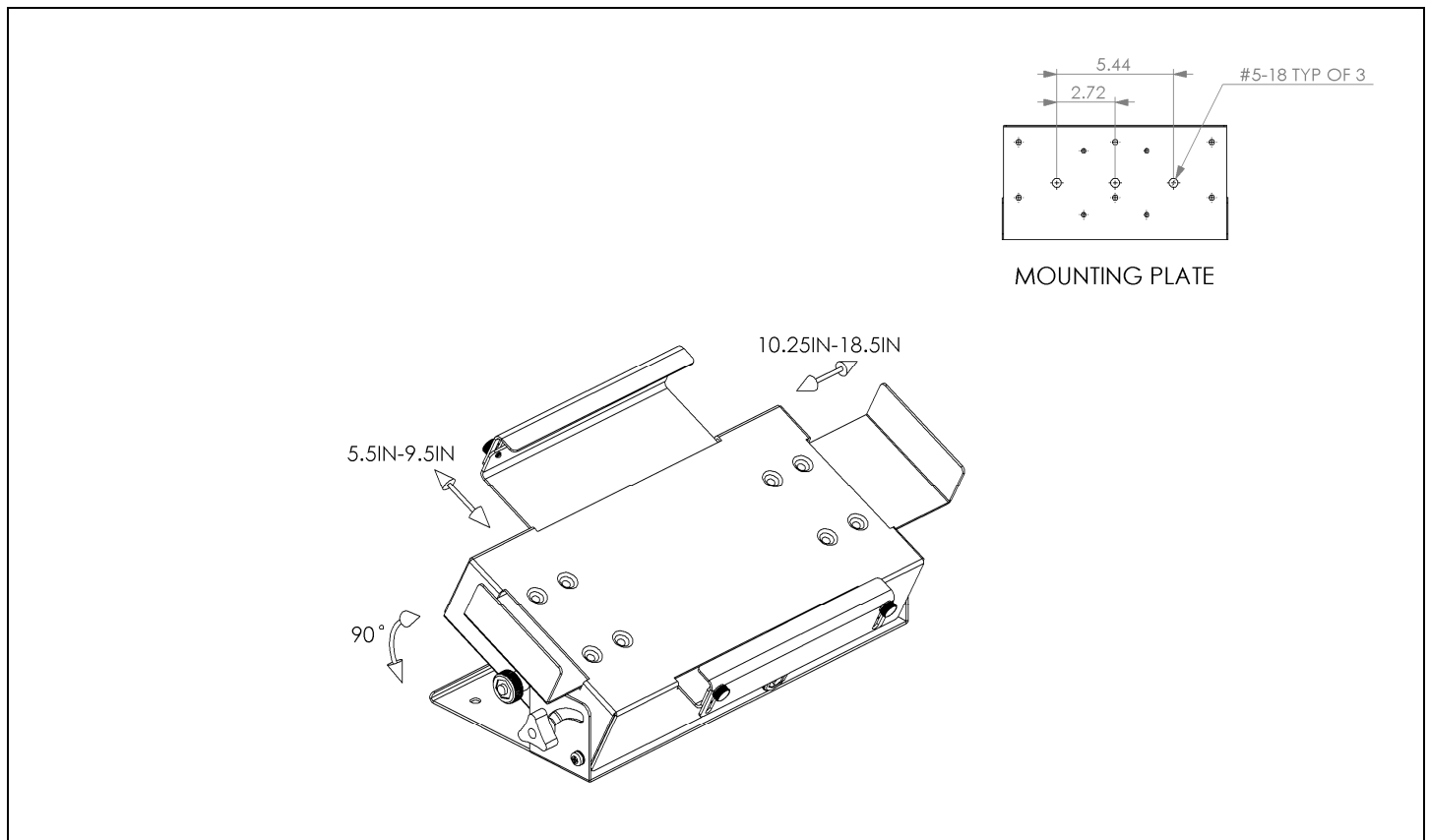
UKMT510

PN 80320

Universal Keyboard Mounting Tray 5" X 10"



Universal Keyboard Mounting Tray 5" X 10"



PRODUCT SPECIFICATIONS

- This tray will securely hold a wide range of full sized and mini sized keyboards. Two 6" wide jaws expand the depth from 5" to 9 1/2" and two 3" wide jaws expand the length from 10" to 18 1/2".
- All jaws are 1" high. The front and rear jaws feature adjustable edges that extend from 7/8" to 1 5/8" in height to reach over the edges of the keyboard and grip it securely.
- A system of threaded rods permits the length and width of the clamping jaws to be finely adjusted to the exact dimensions needed. It's so secure that it can even hold a keyboard upside down!
- Features integral tilt function that permits the tray be tilted forward up to 90° and locked into position without tools.
- Attaches to a shelf, table top, counter top or any other flat horizontal surface.
- To attach to a wall or any other flat vertical surface, add optional UVHM mounting plates with one arm to support the UKMT alone or two arms to support a terminal right next to the keyboard.
- This assembly is part of the UVHM system which includes many components that can be mixed and matched to create a support solution for any mounting location.
- This system is designed to work with standard rectangular shaped keyboards and is not recommended for contoured type keyboards.
- Optional wall mounting with a P3 plate and two UVHM arm assemblies.