

PQS

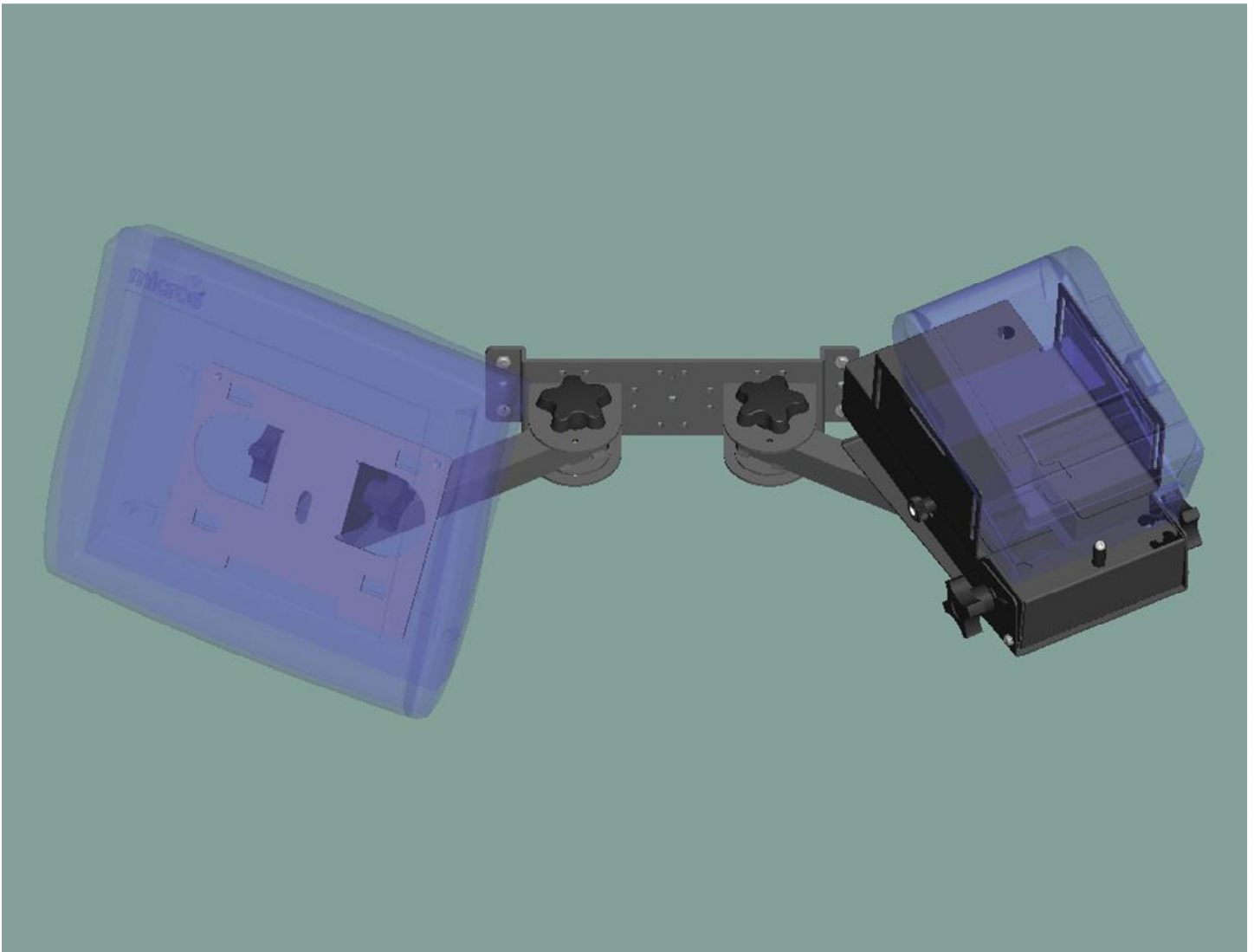
PRACTICAL QUALITY SYSTEMS

Fast Custom Manufacturing - Nationwide Installation Services

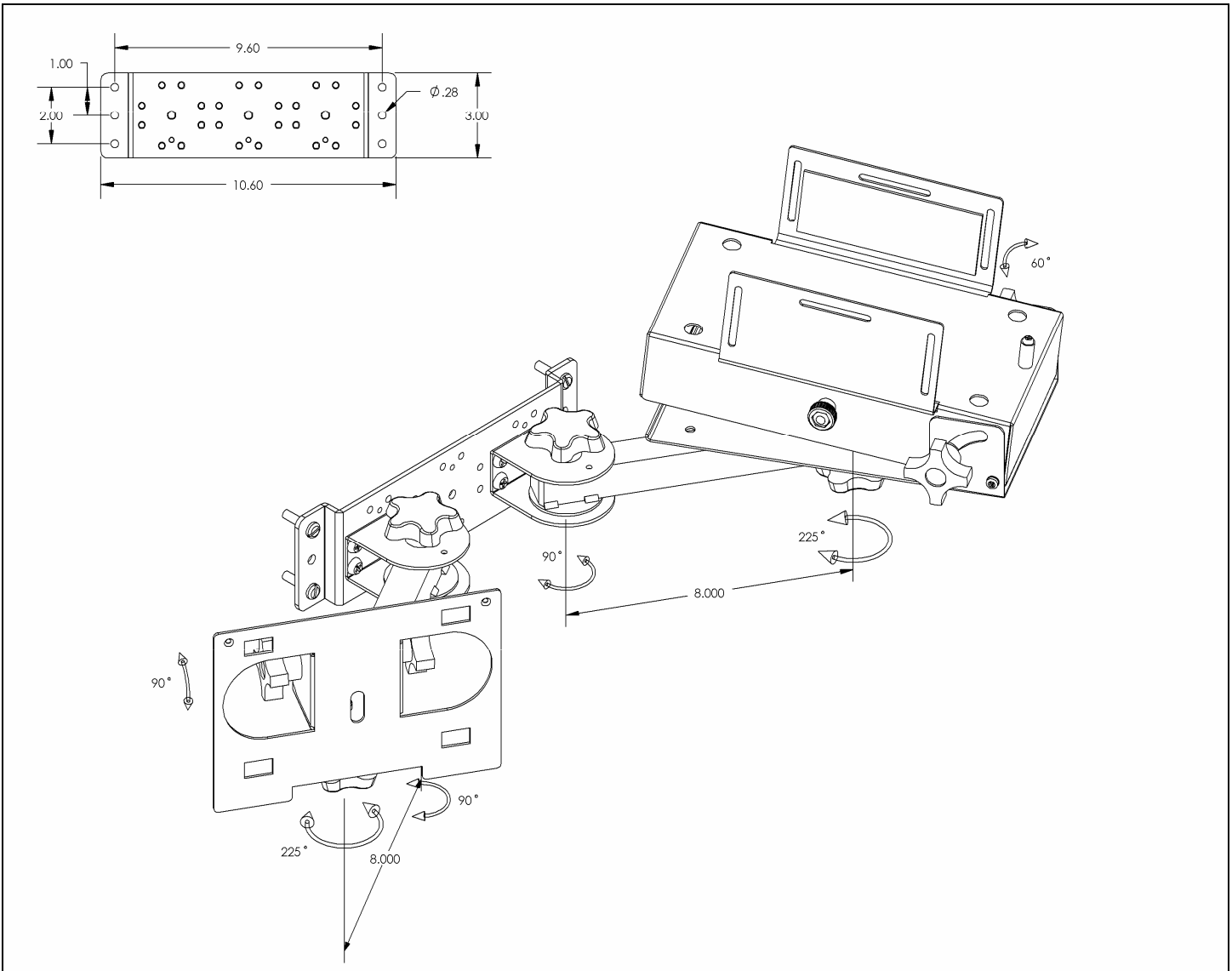
UVHM-P3-WS4-UPMT

PN 80004

A two position plate with two 8" arms, a WS4 tilt head and a universal printer mounting tray



A two position plate with two 8" arms, a WS4 tilt head and a universal printer mounting tray



A two position plate with two 8" arms, a WS4 tilt head and a universal printer mounting tray**PRODUCT SPECIFICATIONS**

- Attaches to a wall or any other flat vertical surface.
- Attaches to a shelf or any other flat horizontal surface.
- The WS4 tilt head adjusts without tools to lock the screen at any position, side to side, or up and down.
- The position of the tilt head can also be locked more securely for the long term by tightening the tilt head locking screws with a Phillips screw driver.
- The sides of the printer tray adjust without tools to grip the sides of any printer from 5" to 9 ½" wide.
- The printer tray can be tilted forward, rotated and locked into position without tools.
- The positions of the 8" arms adjust without tools to permit the printer tray and tilt head to travel horizontally, allowing a range of positioning options.
- For ceiling or pole mounting, the P1 plate attaches to any 1 ½" or smaller OD pipe with U bolts.
- The position of the arm can also be locked more securely for the long term by tightening the arm locking screw with a Phillips screw driver.
- The UPMT also makes a great telephone mount.
- This assembly is part of the UVHM system which includes many components that can be mixed and matched to create a support solution for any mounting location. Most of the UVHM assemblies can be easily reconfigured in the field for a different application by either adding or deleting a few parts.
- Each arm supports up to 15 lbs.