

# PQS

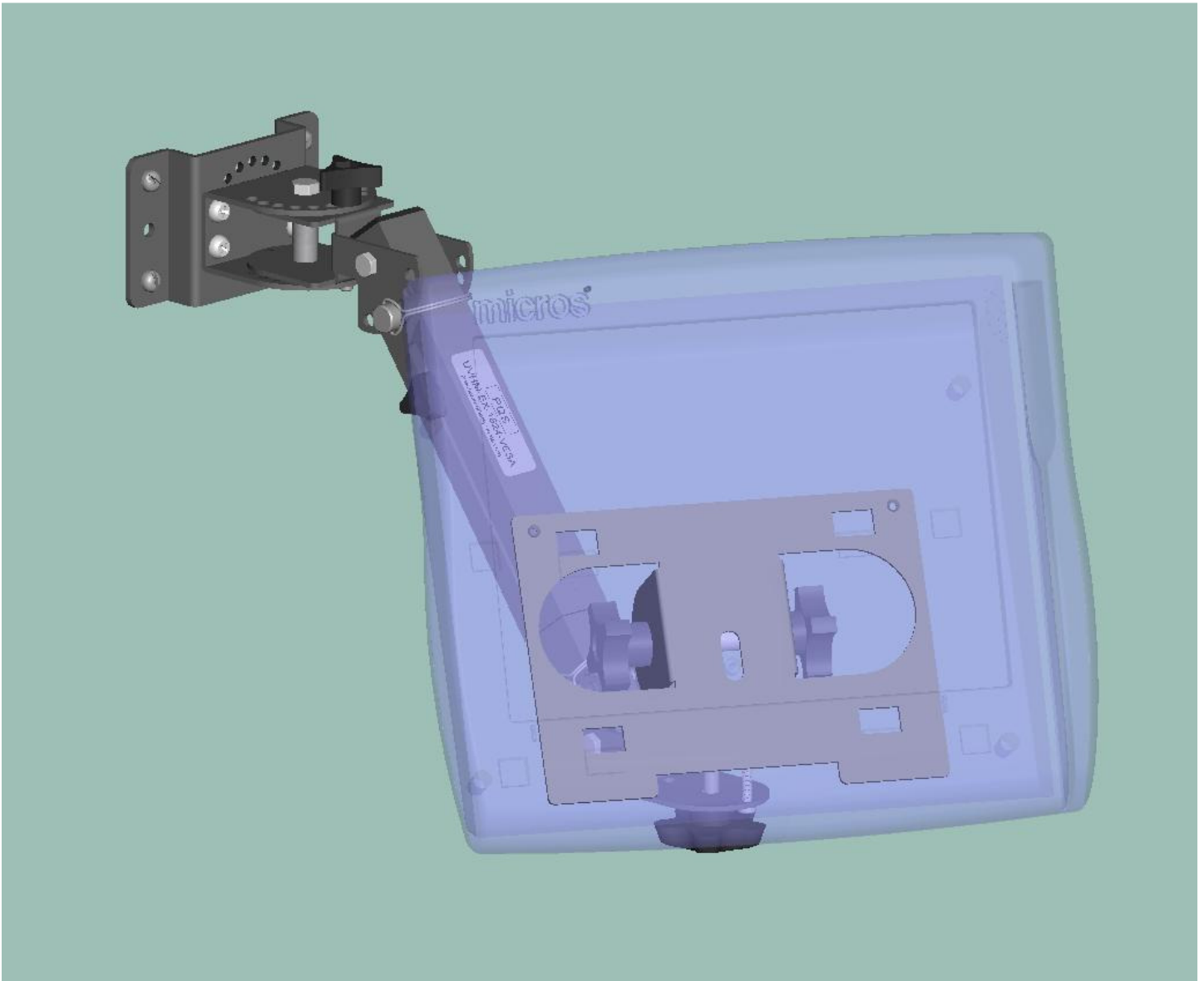
PRACTICAL QUALITY SYSTEMS

*Fast Custom Manufacturing - Nationwide Installation Services*

UVHM-EX-1824-WS4

PN 80006

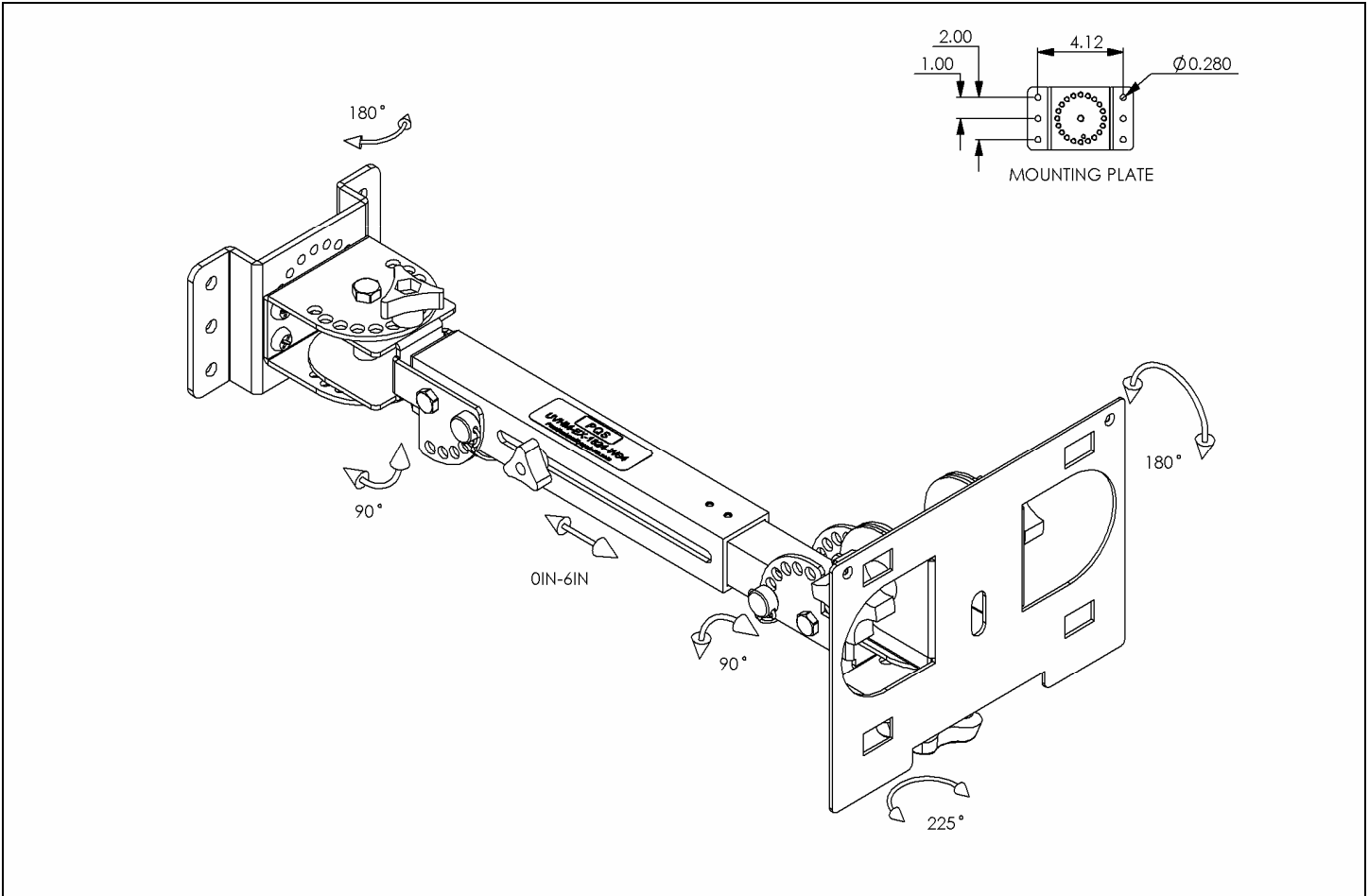
A single position mounting plate with one extendable arm and a WS4 tilt head



UVHM-EX-1824-WS4

PN 80006

A single position mounting plate with one extendable arm and a WS4 tilt head



**A single position mounting plate with one extendable arm and a WS4 tilt head****PRODUCT SPECIFICATIONS**

- Supports a MICROS WS4 terminal.
- Attaches to a wall or any other flat vertical surface or to a shelf or any other flat horizontal surface.
- WS4 tilt head adjusts without tools to lock the screen at any position side to side or up and down.
- The arm can be extended to increase the mounts reach from 18" to 24."
- The outward and downward angle of the arm is adjustable at the top and bottom ends of the arm with special "offset" brackets and easy to use wire lock pins to set a wide range of selectable angles.
- The horizontal position of the arm can be easily changed and locked as needed by removing and reinserting a simple hand knob.
- The position of the tilt head can also be locked more securely for the long term by tightening the tilt head locking screws with a Phillips screw driver.
- This mount can also be reconfigured in the field to reach upward and outward from the mounting surface.
- With the addition of an optional P3 mounting plate, two arms can be mounted together.
- This assembly is part of the UVHM system which includes many components that can be mixed and matched to create a support solution for any mounting location.
- Each arm supports up to 15 lbs.