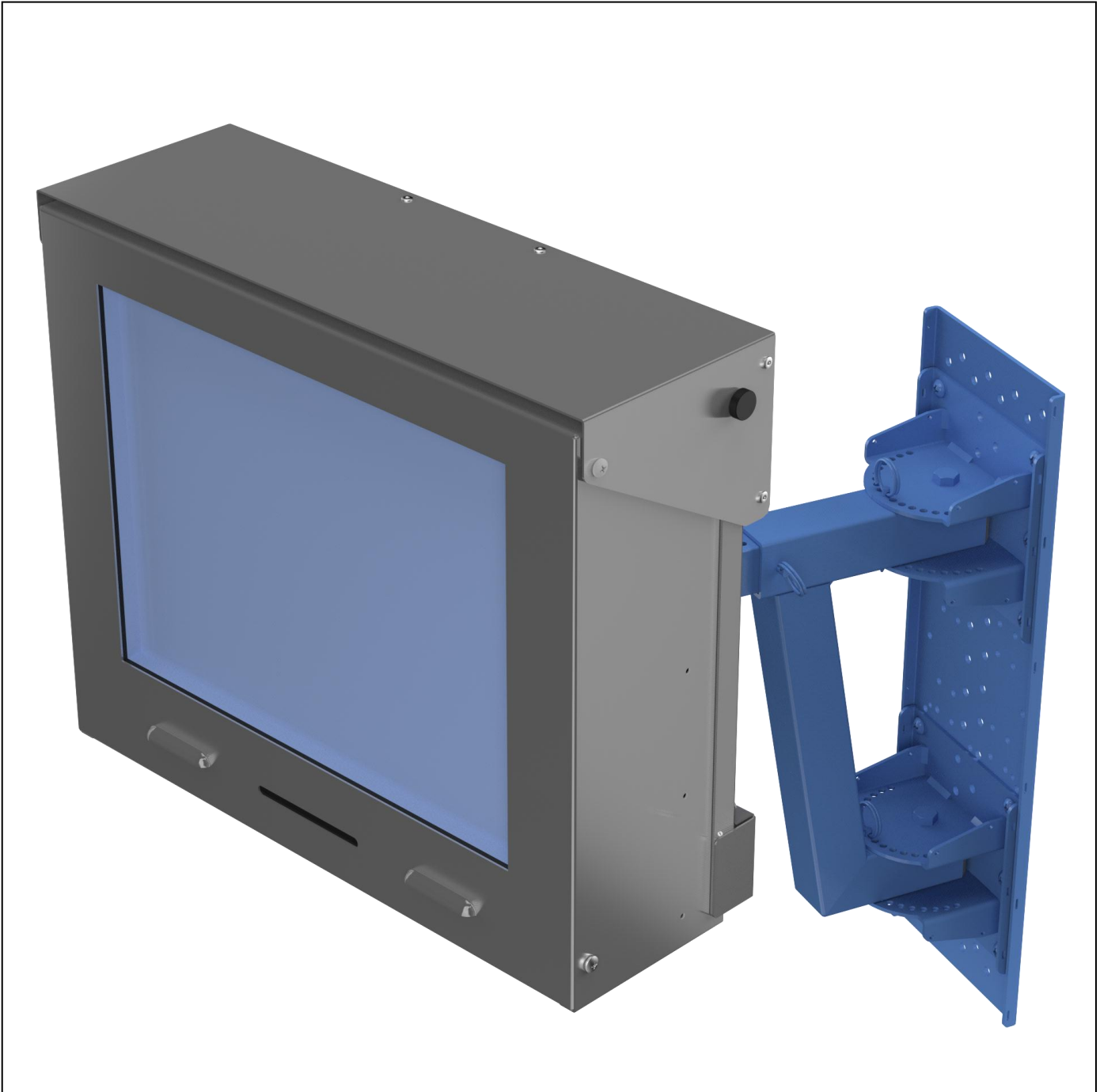


# PQS

PRACTICAL QUALITY SYSTEMS  
*Fast Custom Manufacturing - Nationwide Installation Services*

## IBM 4838-310 AnyPlace Kiosk Enclosure PN 80402-SS, 80402-CH



Note: 80402-SS AnyPlace Kiosk Enclosure with IBM 4838-310 terminal installed and mounted to *PQS 35LB Swing Arm* (PN 80972). Available in stainless steel (PN 80402-SS) and metallic powder coated finish (PN 80402-CH)

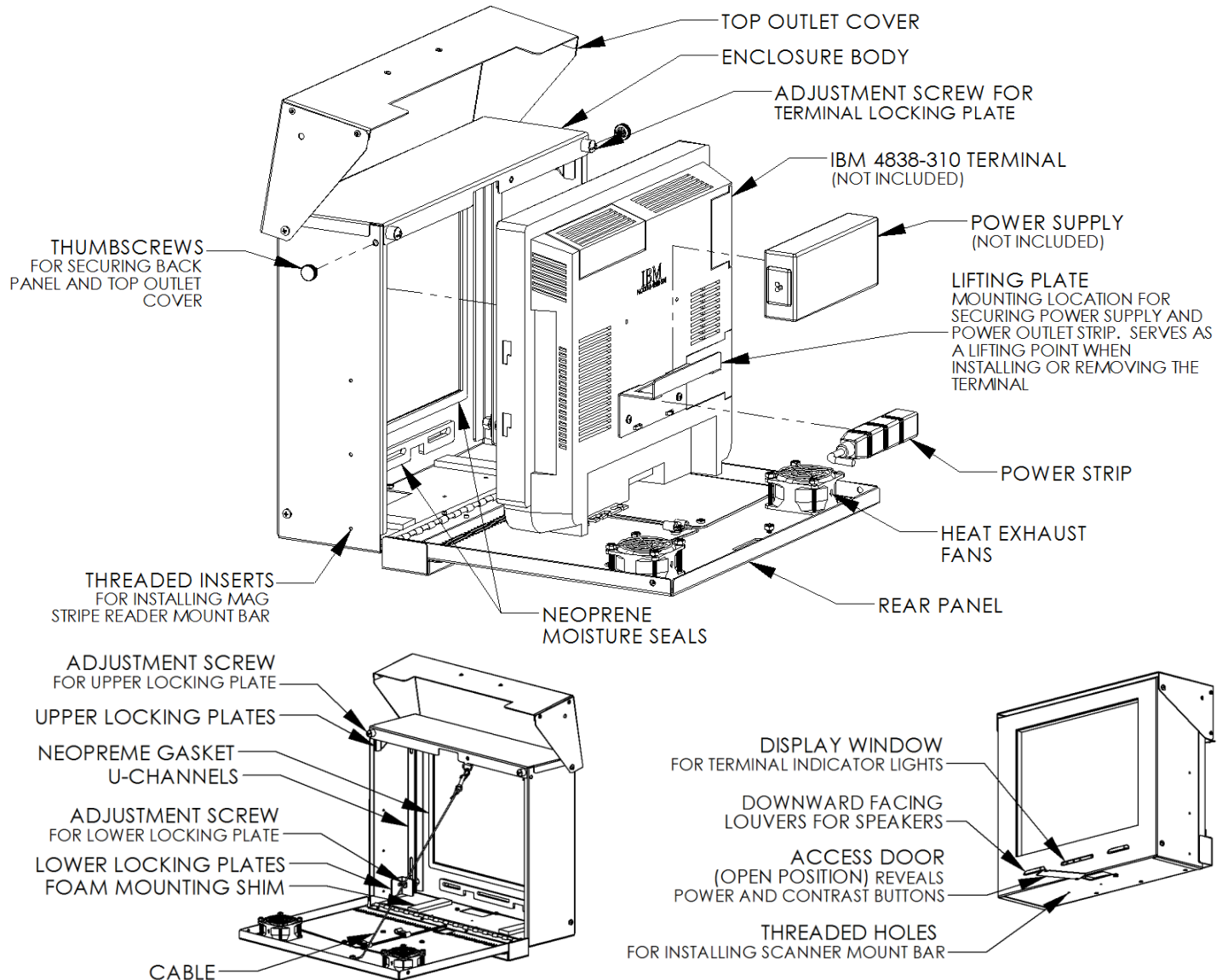
[info@practicalqualitysystems.com](mailto:info@practicalqualitysystems.com)

[WWW.PRACTICALQUALITYSYSTEMS.COM](http://WWW.PRACTICALQUALITYSYSTEMS.COM)

(818) 993-1022

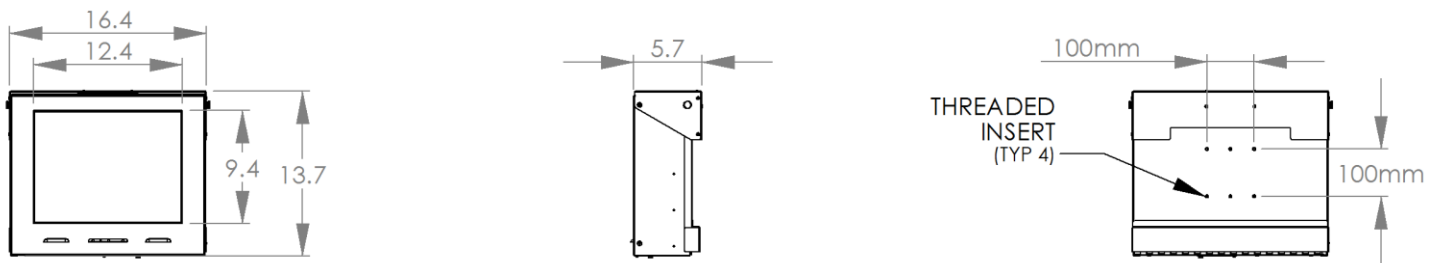
**ALL PRODUCTS PATENT PENDING**

**IBM 4838-310 AnyPlace Kiosk Enclosure PN 80402-SS, 80402-CH**



**PRODUCT SPECIFICATIONS:**

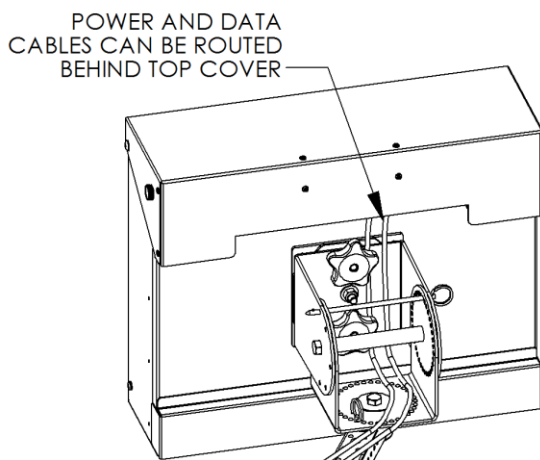
- Enclosure supports IBM 4838-310 Anyplace Kiosk System Unit 15-inch Models 135, 1Z5, E35, EZ5, W5D, W5Z ; Width 380 mm (15.0 in) X Depth 72 mm (2.8 in) X Height: 355 mm (14.0 in)



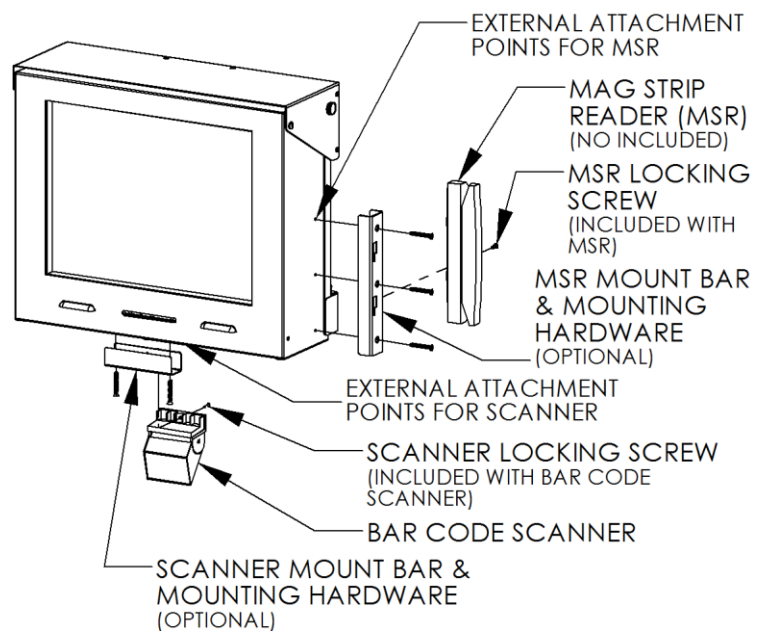
- Meets NEMA Type 2 rating- Enclosures constructed for indoor use to provide a degree of protection to personnel against access to hazardous parts; to provide a degree of protection of the equipment inside the enclosure against ingress of solid foreign objects (falling dirt); and to provide a degree of protection with respect to harmful effects on the equipment due to the ingress of water (dripping and light splashing).

## IBM 4838-310 AnyPlace Kiosk Enclosure PN 80402-SS, 80402-CH

- Includes an active ventilation system to maintain air flow and reduce condensation.
- No modification to the terminal's power cables, associated hardware or to the terminal itself is required for installation.
- Two sets of upper and lower locking plates adjust with a Phillips screw driver to secure the terminal and hold it firmly against the touch screen sealing gasket.
- A heavy duty hinged back panel opens without tools and allows full access to the interior without removing the enclosure from the mounting system.
- A small swivel-open door on the bottom front of the enclosure allows easy access to the power button, brightness controls and USB port.
- Enclosure includes external attachment points for optional Bar Code Scanner and Magnetic Strip Reader mounting bars.



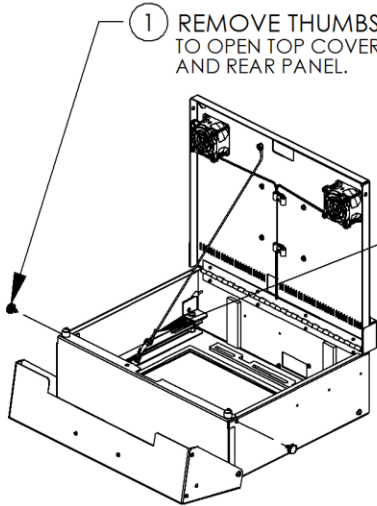
- When the top cover is closed the rear vent section allows for convenient and concealable cable routing.
- Downward facing Louvers are located over the terminals speakers to keep falling liquids and dust from entering while allowing sound to get out.
- Close fitting neoprene gaskets surround the entire edge of the terminal's screen, speakers and indicator lights to seal it against liquid entry.
- Includes an *internal mounting bracket* for the terminal's Power Supply that doubles as a handle to help support the terminal during installation into the enclosure.
- Includes an internal three outlet power strip with 9' grounded cord.
- Enclosures also available for IBM 17" & 19" terminals.
- To order stainless steel enclosure use PN 80402-SS.
- To order enclosure with chrome metallic powder coated steel finish use PN 80402-CH.



# IBM 4838-310 AnyPlace Kiosk Enclosure PN 80402-SS, 80402-CH

## INSTALLATION INSTRUCTIONS

### OPEN ENCLOSURE AND REMOVE SAFETY CABLE



① REMOVE THUMBSCREWS TO OPEN TOP COVER AND REAR PANEL.

② DISCONNECT SAFETY CABLE  
DISCONNECT SNAP CLIP END OF SAFETY CABLE FROM ENCLOSURE BODY

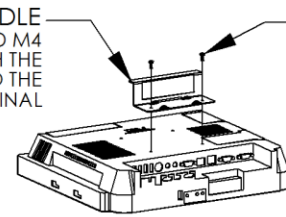
④ RETRACT LOCKING PLATES  
USE A PHILLIPS SCREW DRIVER TO RETRACT UPPER AND LOWER LOCKING PLATES ENOUGH TO INSERT TERMINAL. ONCE LOOSENED, SLIDE LOWER LOCKING PLATES TOWARDS HINGED SIDE OF ENCLOSURE AS FAR AS POSSIBLE.

⑤ INSERT TERMINAL  
LIFTING FROM THE LIFTING HANDLE, GUIDE THE TOP OF THE TERMINAL IN TOWARDS THE TOP OF THE ENCLOSURE. GENTLY LOWER THE TERMINAL UNTIL IT RESTS FLAT INSIDE THE GASKETS.

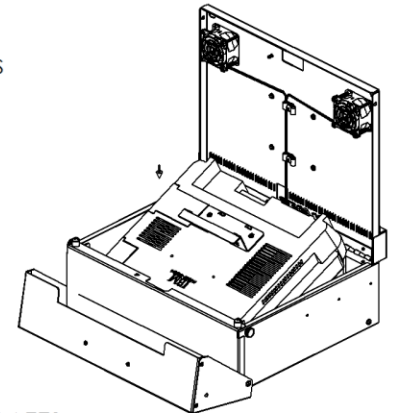
⑥ SUPPORTING BOTTOM OF TERMINAL  
GENTLY PULL THE TERMINAL SO THAT WHEN TURNED UPRIGHT THE TERMINAL'S WEIGHT IS SUPPORTED BY THE FOAM SUPPORT PADS

### ATTACH LIFTING HANDLE TO TERMINAL

③ LIFTING HANDLE  
USE THE PROVIDED M4 SCREWS TO ATTACH THE LIFTING HANDLE TO THE TERMINAL



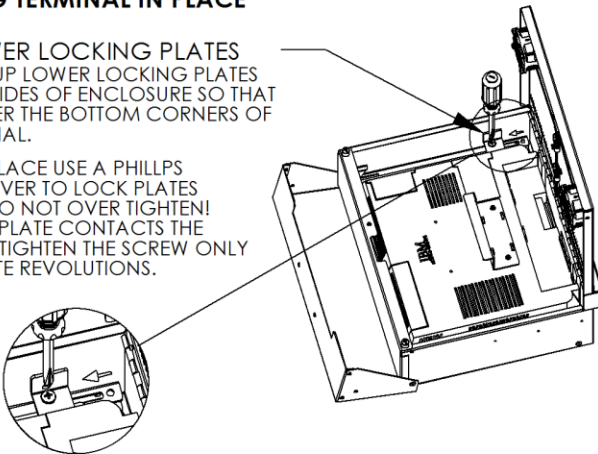
### RETRACT LOCKING PLATES & INSERT TERMINAL



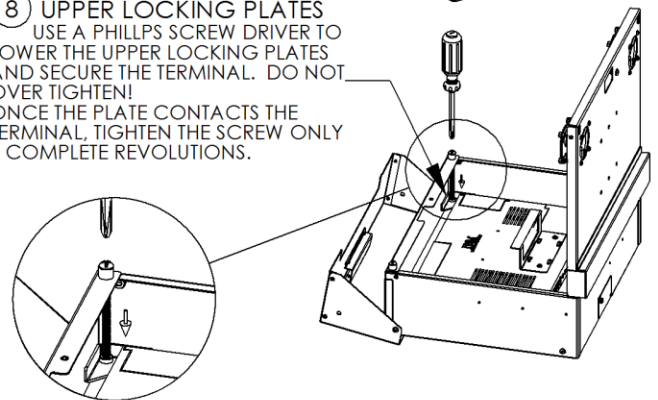
### LOCKING TERMINAL IN PLACE

⑦ LOWER LOCKING PLATES  
SLIDE UP LOWER LOCKING PLATES ON BOTH SIDES OF ENCLOSURE SO THAT THEY COVER THE BOTTOM CORNERS OF THE TERMINAL.

ONCE IN PLACE USE A PHILLIPS SCREW DRIVER TO LOCK PLATES DOWN. DO NOT OVER TIGHTEN! ONCE THE PLATE CONTACTS THE TERMINAL, TIGHTEN THE SCREW ONLY 2 COMPLETE REVOLUTIONS.



⑧ UPPER LOCKING PLATES  
USE A PHILLIPS SCREW DRIVER TO LOWER THE UPPER LOCKING PLATES AND SECURE THE TERMINAL. DO NOT OVER TIGHTEN! ONCE THE PLATE CONTACTS THE TERMINAL, TIGHTEN THE SCREW ONLY 2 COMPLETE REVOLUTIONS.

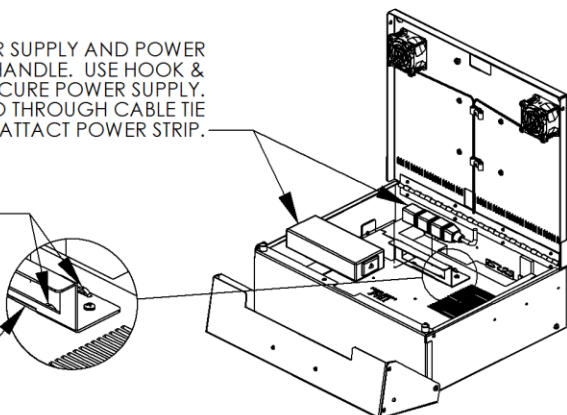


### ATTACH POWER SUPPLY AND POWER STRIP

⑨ ATTACH POWER SUPPLY AND POWER STRIP TO LIFTING HANDLE. USE HOOK & LOOP STRAP TO SECURE POWER SUPPLY. RUN ZIP TIES THROUGH CABLE TIE POINTS TO ATTACH POWER STRIP.

CABLE TIE POINTS FOR SECURING POWER STRIP

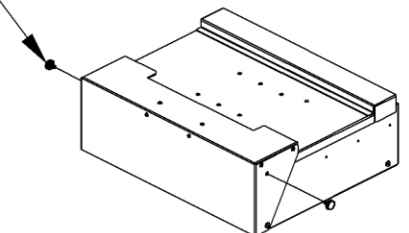
SLOT FOR HOOK AND LOOP STRAP



### SHUTTING AND SECURING ENCLOSURE

⑩ REATTACH SAFETY CABLE  
REATTACH CABLE END THAT WAS REMOVED.

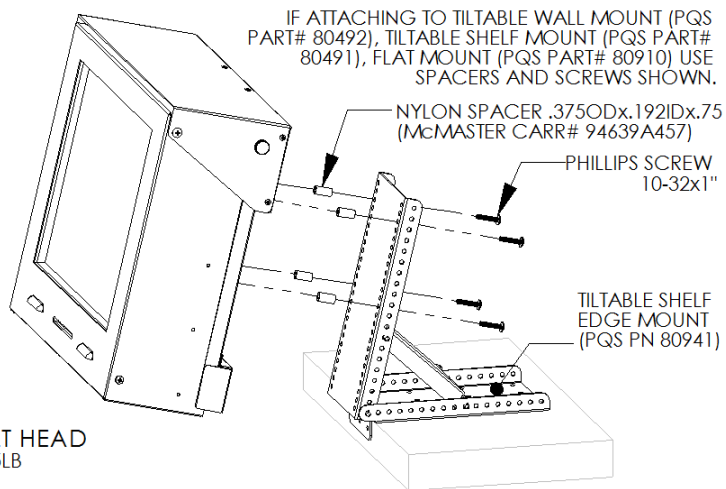
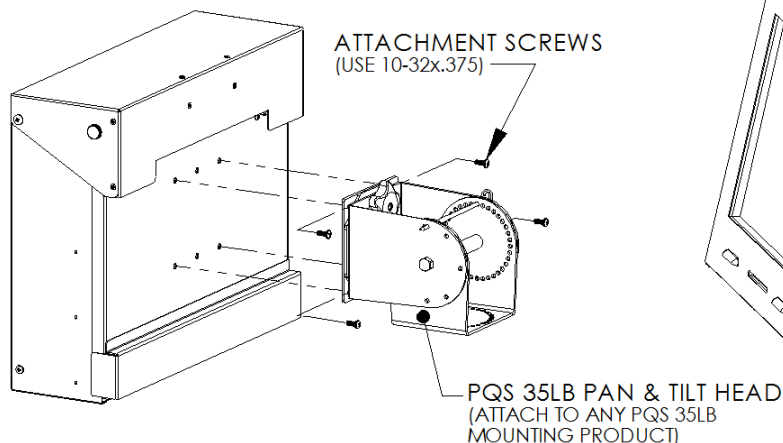
⑪ LOCKING ENCLOSURE  
SWING REAR PANEL CLOSED THEN CLOSE TOP COVER OVER IT. ALIGN HOLES AND INSERT THUMBSCREWS TO LOCK ENCLOSURE.



# IBM 4838-310 AnyPlace Kiosk Enclosure PN 80402-SS, 80402-CH

## MOUNTING OPTIONS:

ATTACHING TO PQS 35LB PAN & TILT HEAD



**WARNING:** If using any PQS mounting product, please refer to that product's installation instructions to correctly install the mount. PQS recommends installation by a professional.

- Enclosures mount to any 100mm VESA compatible pan and tilt head (note: because of the combined weight of the enclosure and terminal (32lbs) we recommend mounting to one of our **PQS 35LB Mounting Systems**).
- This assembly can also be integrated to any of our *Heavy Duty* or *35lb Mounting Products* to create a support solution for any mounting location.
- **PQS** offers several mounting options for our *APK Monitor Enclosures* and other medium duty 35LB mounting products.

