

PQS

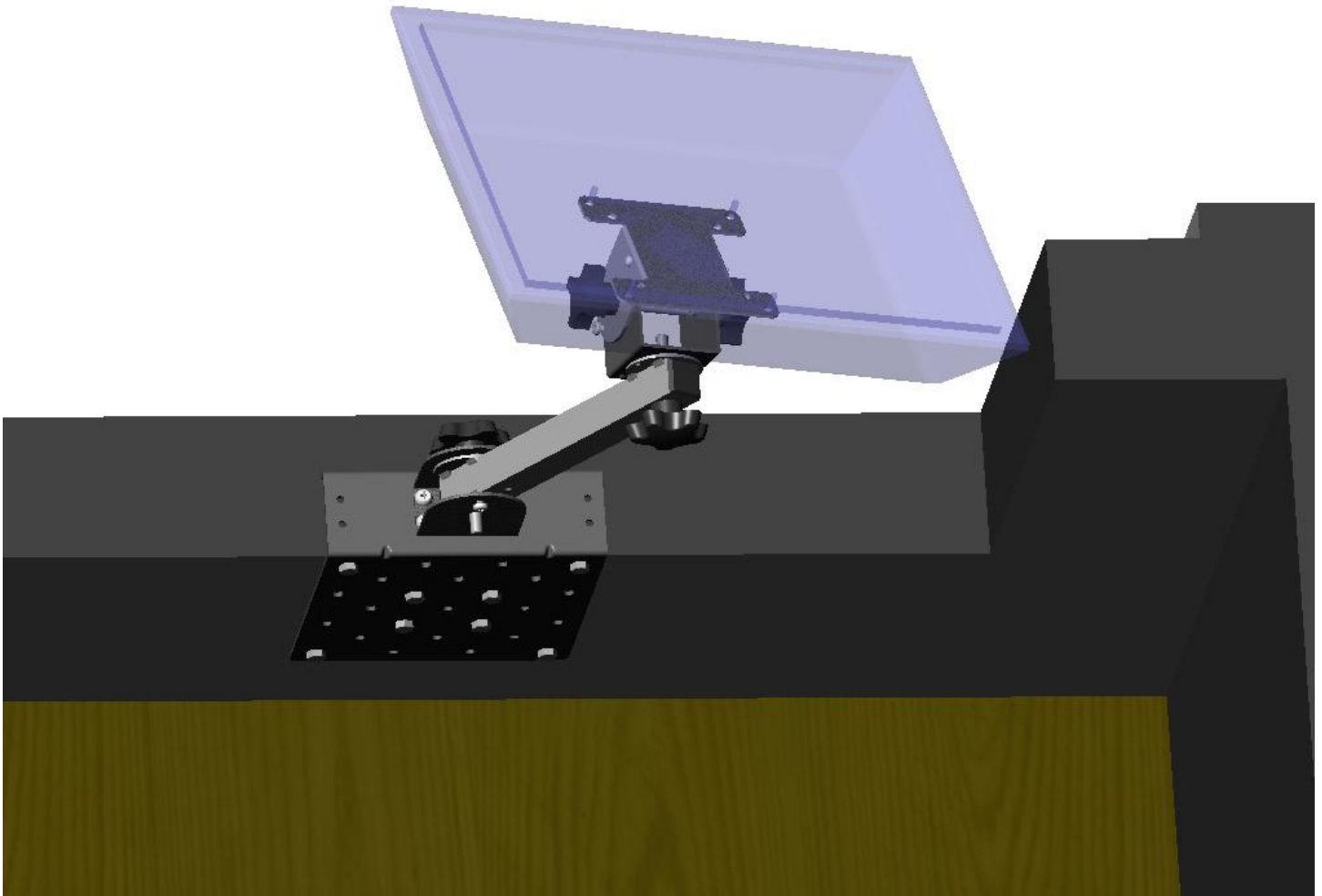
PRACTICAL QUALITY SYSTEMS

Fast Custom Manufacturing - Nationwide Installation Services

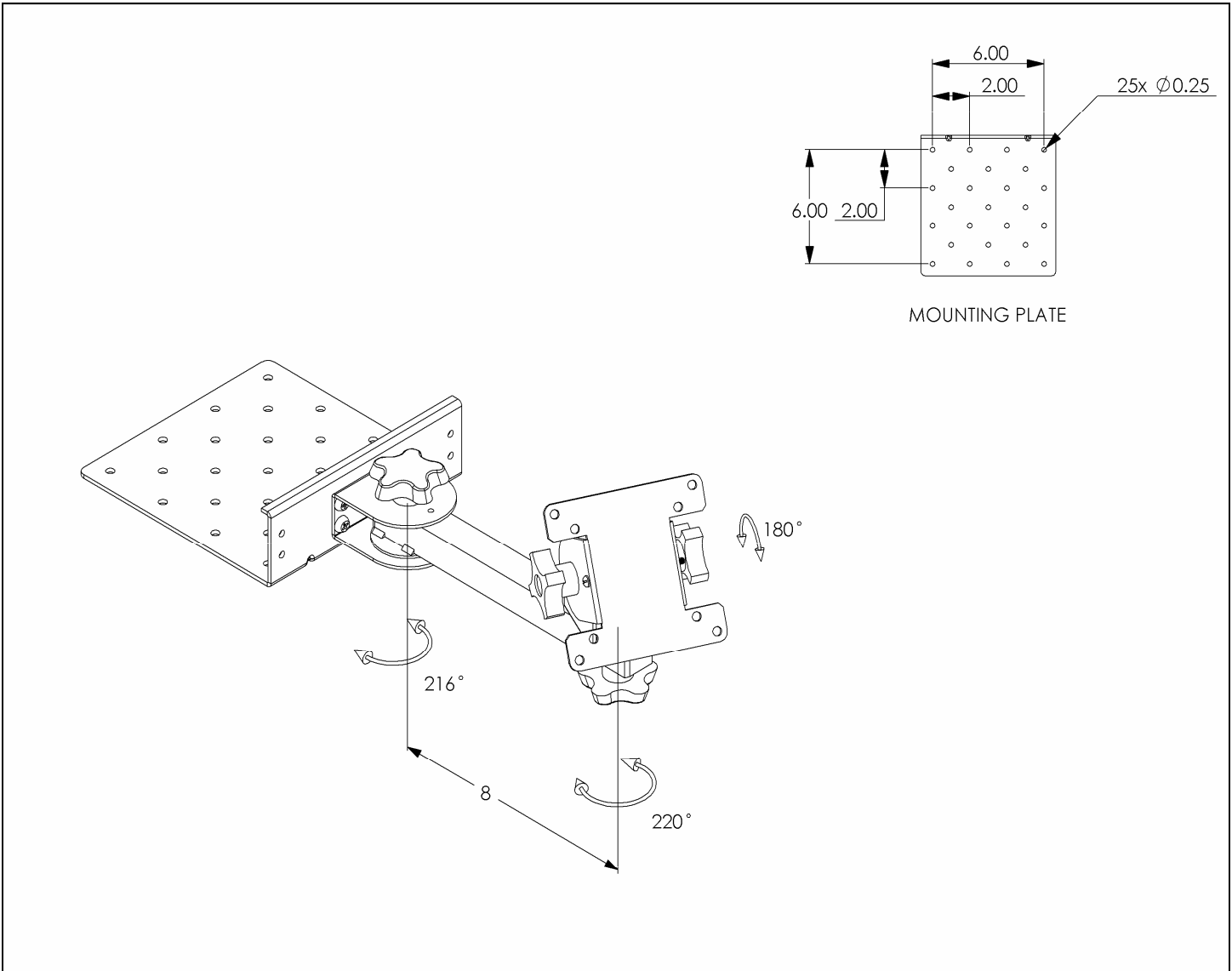
UVHM-UC-VESA

PN 80200

A single position under counter mounting plate with one 8" arm and a VESA tilt head



A single position under counter mounting plate with one 8" arm and a VESA tilt head



A single position under counter mounting plate with one 8" arm and a VESA tilt head**PRODUCT SPECIFICATIONS**

- Supports a Micros WS5 terminal or any 75 or 100 mm VESA compatible touch screen, terminal or flat panel monitor.
- The assembly supports touch screens, terminals or flat panel monitors up to 20" (all images are shown with a 17" screen).
- Attaches underneath a counter top, a shelf or any other flat horizontal surface.
- VESA tilt head adjusts without tools to lock the screen at any position, side to side, or up and down.
- The position of the 8" arm adjusts without tools and permits the tilt head to travel horizontally to allow a wide range of screen locations.
- The position of the arm can be locked more securely for the long term by tightening the arm locking screw with a Phillips screw driver.
- The UC mounting plate permits attachment of a second optional arm and a UPMT to support a printer right next to the terminal.
- This assembly is part of the UVHM system which includes many components that can be mixed and matched to create a support solution for any mounting location. Most of the UVHM assemblies can be easily reconfigured in the field for a different application by either adding or deleting a few parts.
- Each arm supports up to 15 lbs.