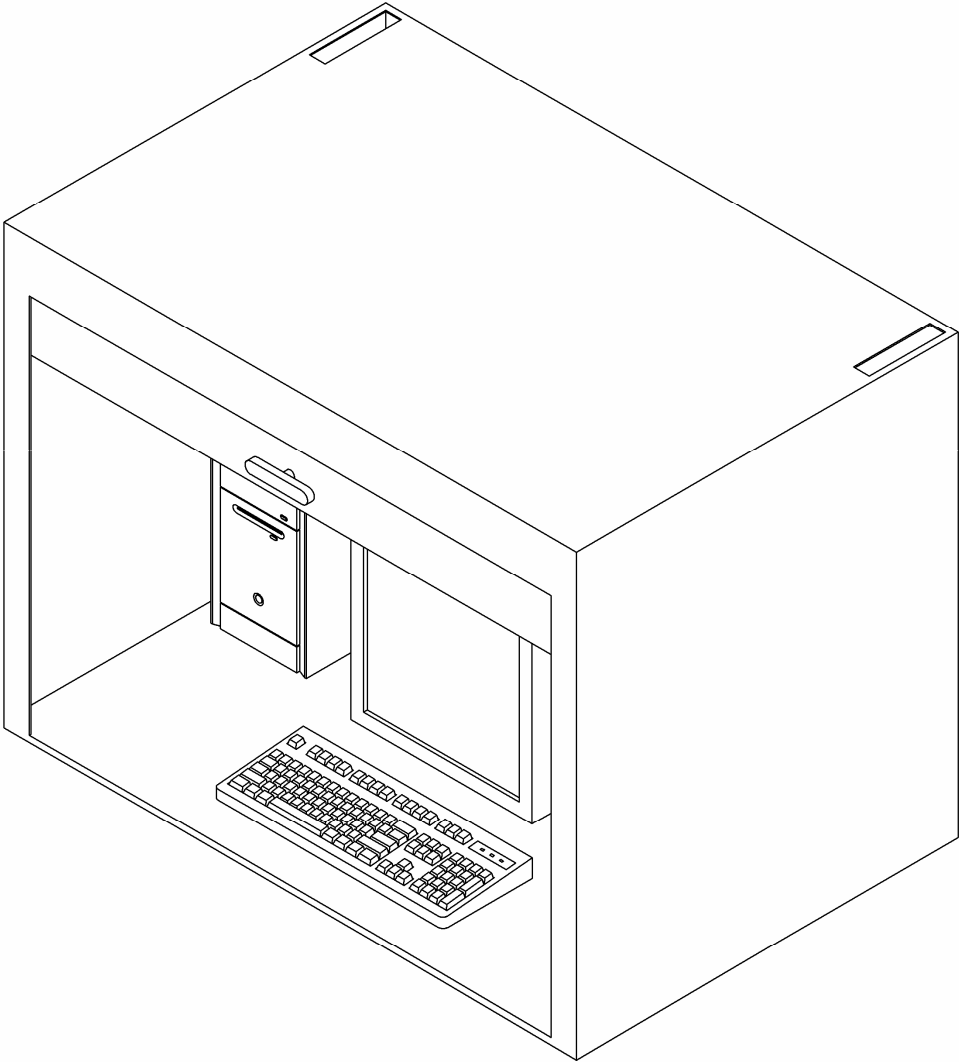


NOEE

PN 80401

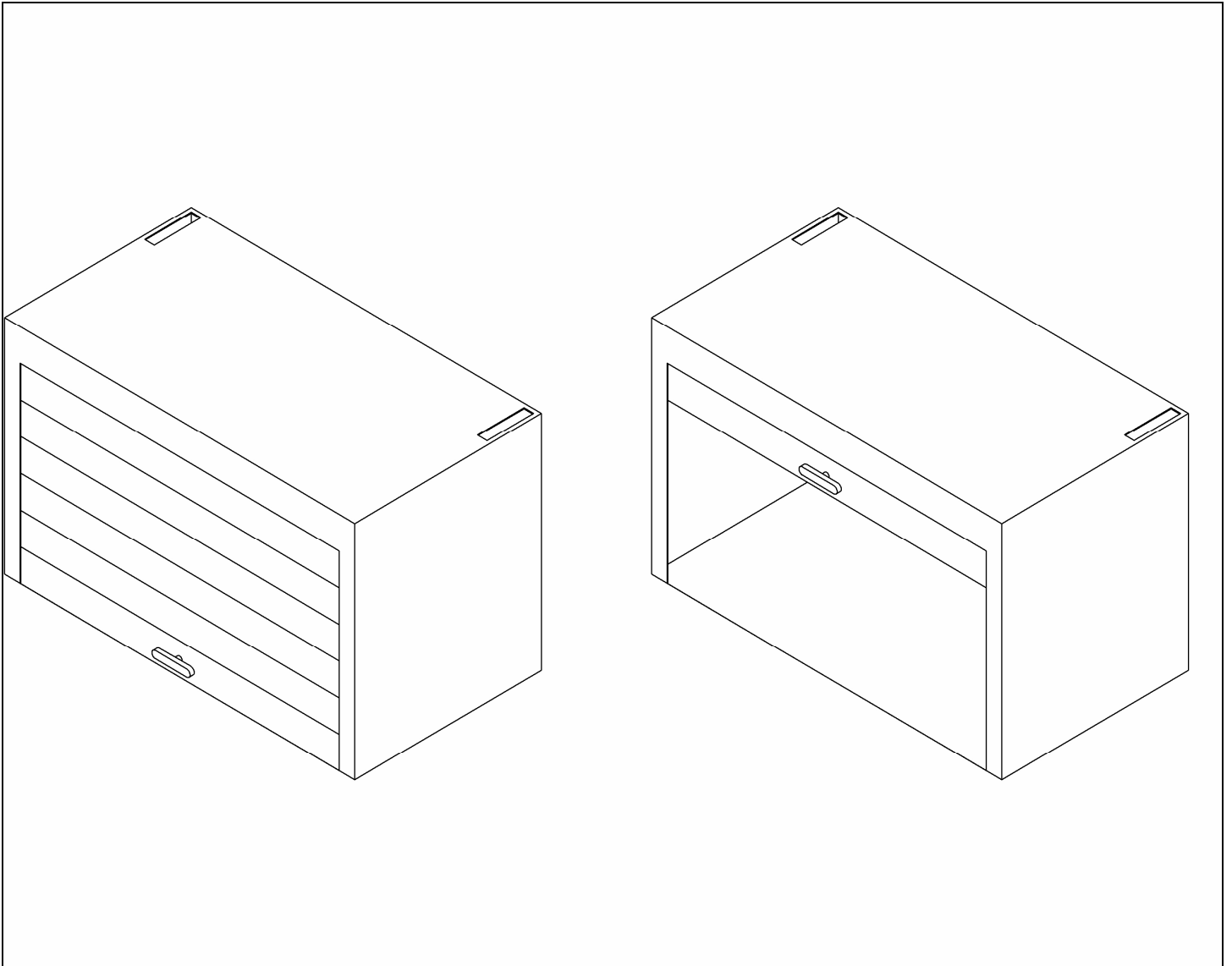
“No Office” Equipment Enclosures with a roll up door offers a complete solution for locating office equipment without building an office



NOEE

PN 80401

“No Office” Equipment Enclosures offer a complete solution for locating office equipment without building an office



“No Office” Equipment Enclosures offer a complete solution for locating office equipment without building an office

PRODUCT SPECIFICATIONS

- Our NOEE enclosures provide a secure location for store systems equipment such as the Point of Sale server, network patch panel and other peripheral equipment.
- A cost effective alternative to having a small office built to house a small desk and general office equipment. Use wherever there is not enough space to add another room to your building design.
- NOEEs can be installed on a counter top or any other sturdy flat horizontal surface. They can also be attached to any standard 48” wide wire rack shelf, or add an optional free standing kit that raises the enclosure above the floor to standard desk height. NOEEs can also be equipped with wheels to create a mobile solution.
- Two enclosures can be stacked one atop the other to create additional space.
- The rear corners of the top and bottom include generous cable entry points for routing the associated wiring into a single enclosure, or between two enclosures when they are stacked together.
- All enclosures feature cooling fans to insure adequate ventilation to keep the equipment cool.
- The roll up door features a heavy duty latch with a keyed lock and a load balancer to make opening and closing the door smooth and easy.
- In the “office configuration,” each enclosure includes: a locking sectional roll up door, a fluorescent light, a wire rack shelf to support PC peripherals, an outlet strip, cable management, an integral cooling system, a VESA flat panel monitor mount, a network data patch panel and telephone terminal block and jacks.
- It can also be ordered in the “NOEE-RM” (Rack Mount) configuration and be equipped with either one or two slide out 19” rack drawers that have 20 U of rack space per drawer, with each drawer able to support up to 150 lbs of equipment.
- Overall dimensions: 36”H X 30”D X 45”W.