

# PQS

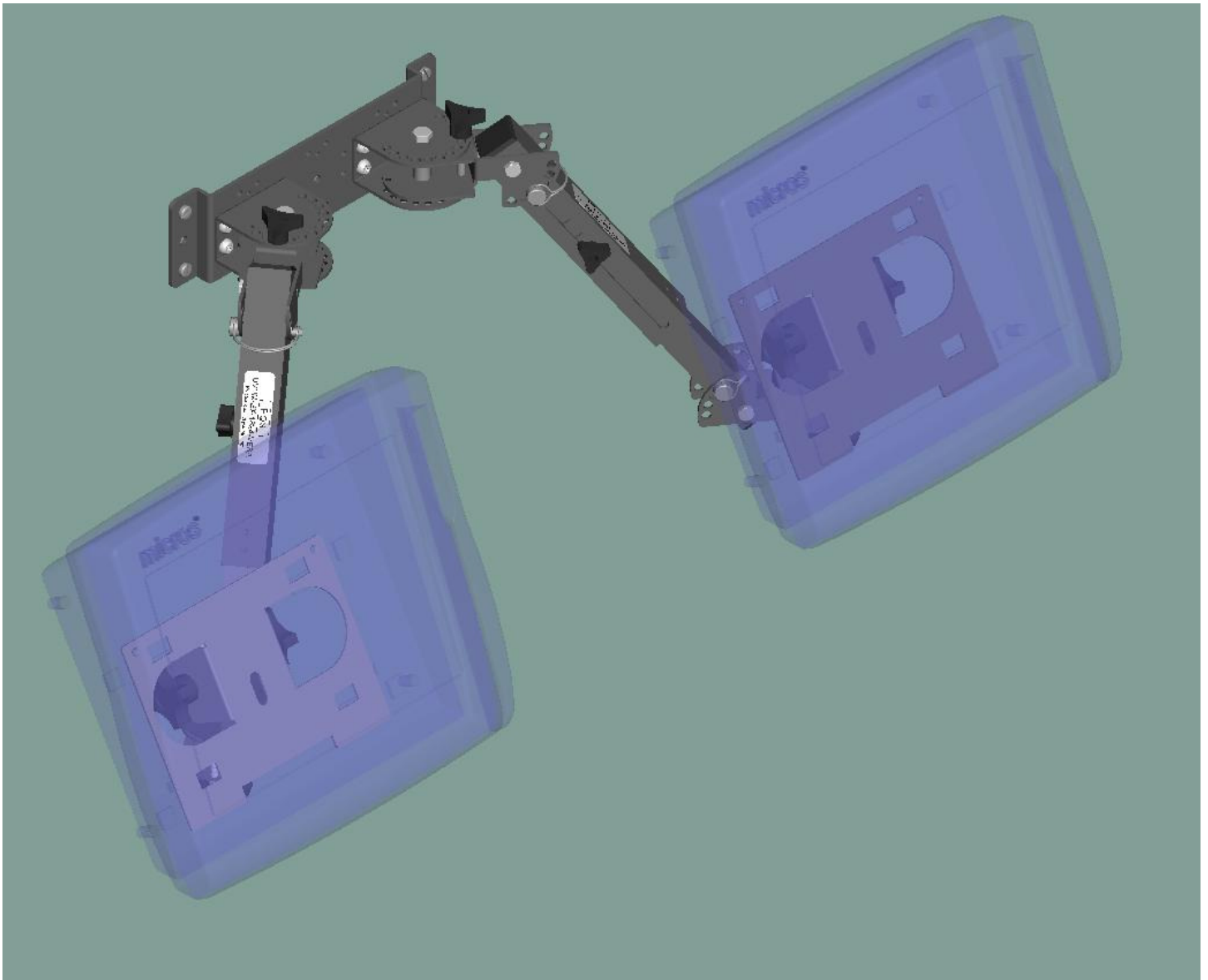
PRACTICAL QUALITY SYSTEMS

*Fast Custom Manufacturing - Nationwide Installation Services*

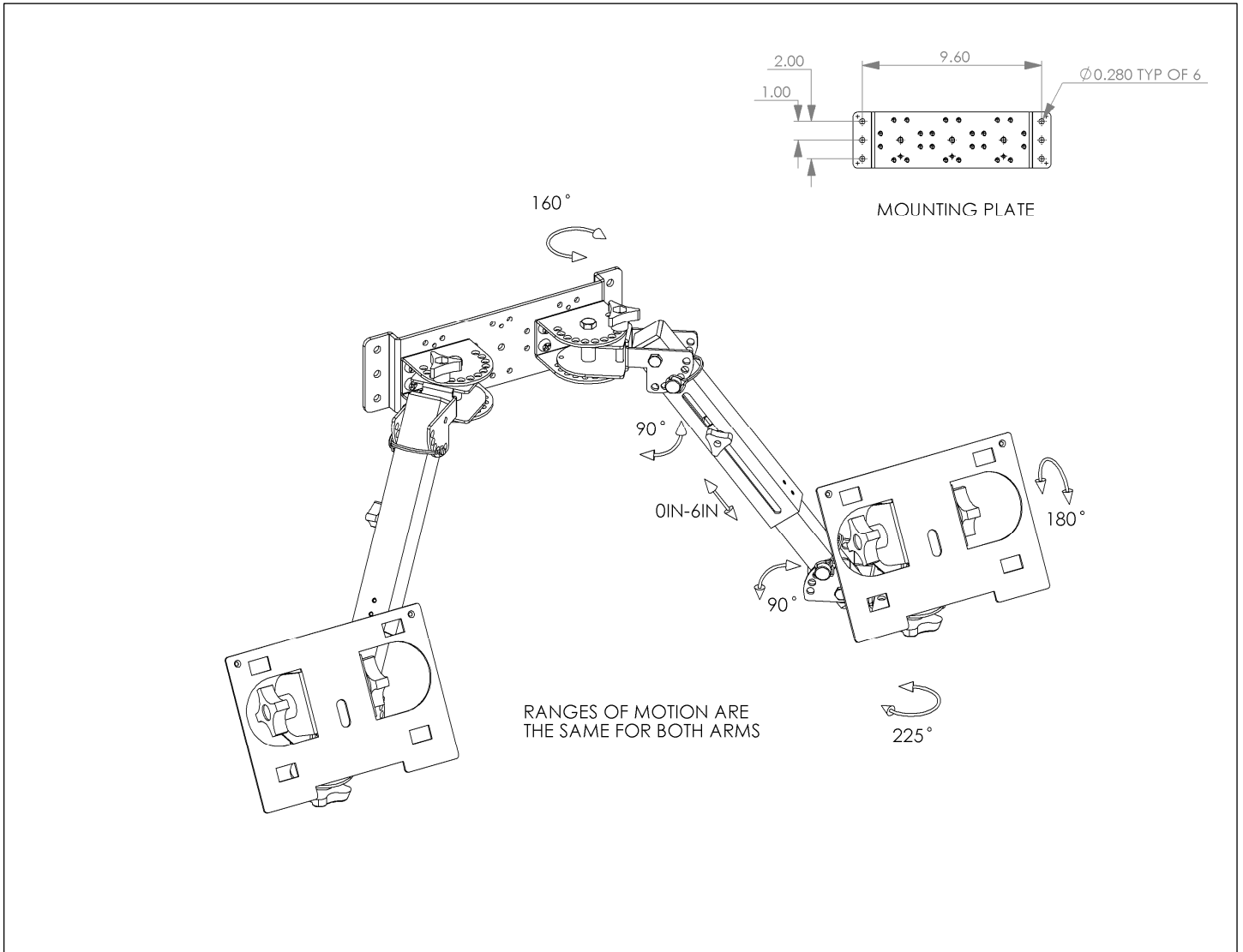
UVHM-EX-1824-P3-WS4

PN 80008

A three position mounting plate with two extendable arms and two WS4 tilt heads



**A three position mounting plate with two extendable arms and two WS4 tilt heads**



## **A three position mounting plate with two extendable arms and two WS4 tilt heads**

### PRODUCT SPECIFICATIONS

- Supports two MICROS WS4 terminals.
- Attaches to a wall or any other flat vertical surface or to a shelf or any other flat horizontal surface.
- WS4 tilt heads adjust without tools to lock the screens at any position, side to side, or up and down.
- The arms can be extended to increase the mount's reach from 18" to 24."
- The outward and downward angle of the arms are adjustable at the top and bottom ends of the arms with special "offset" brackets and easy to use wire lock pins to set a wide range of selectable angles.
- The horizontal position of the arms can be easily changed and locked as needed by removing and reinserting a simple hand knob.
- The position of the tilt heads can also be locked more securely for the long term by tightening the tilt head locking screws with a Phillips screw driver.
- This mount can also be reconfigured in the field to reach upward and outward from the mounting surface.
- This assembly is part of the UVHM system which includes many components that can be mixed and matched to create a support solution for any mounting location.
- Each arm supports up to 15 lbs.