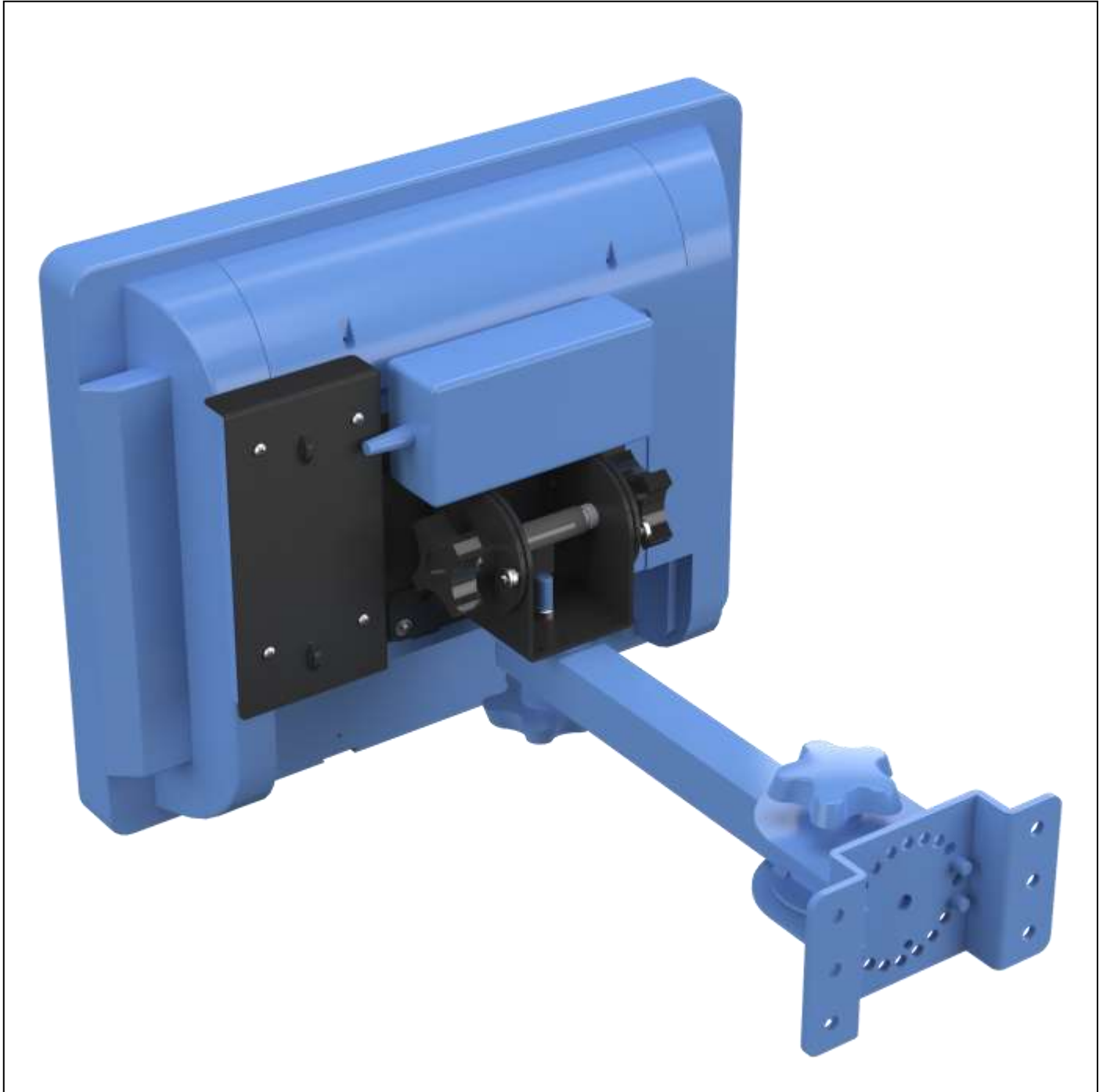


# PQS

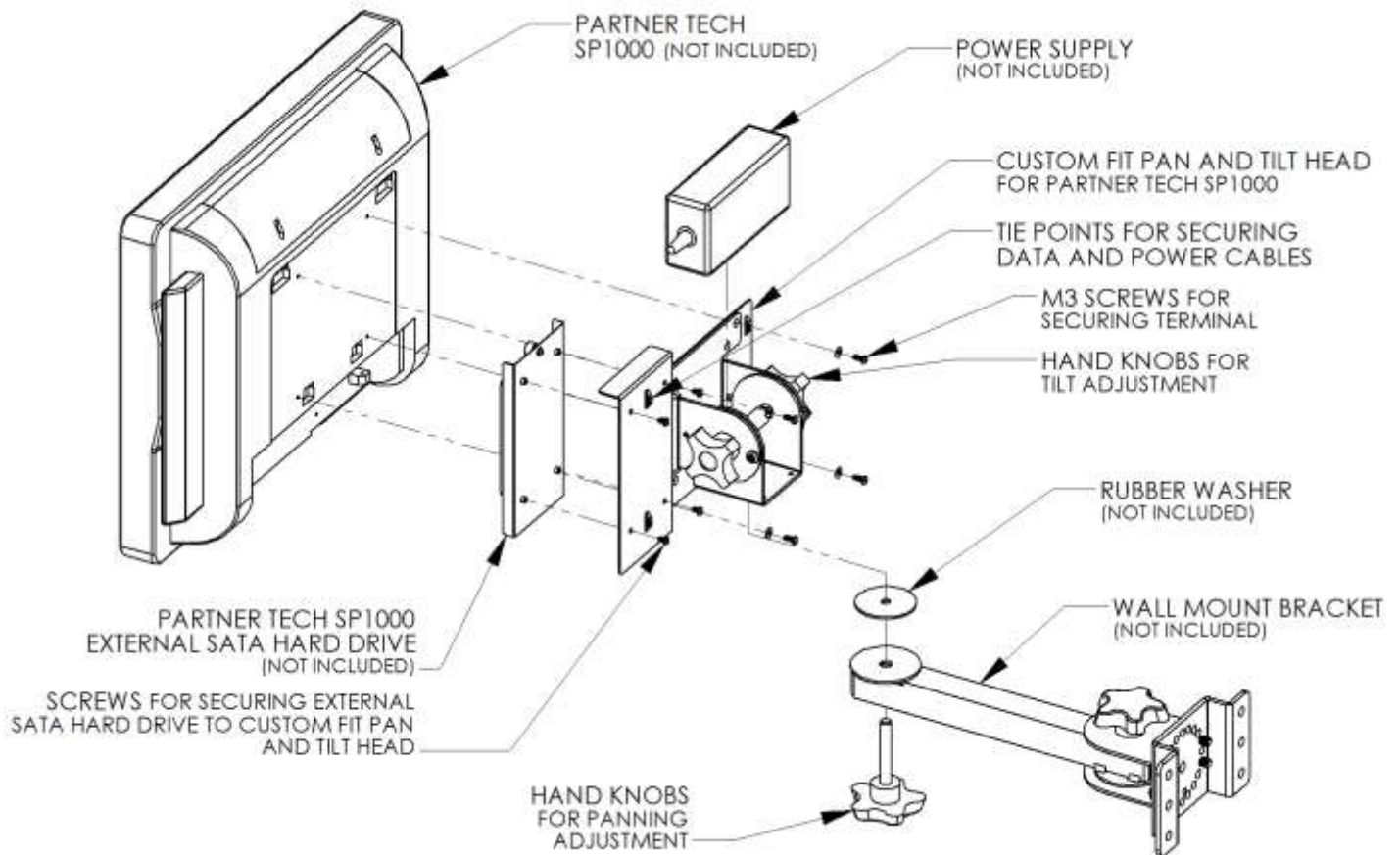
PRACTICAL QUALITY SYSTEMS  
*Fast Custom Manufacturing - Nationwide Installation Services*

## Custom Fit pan and tilt head for Partner Tech SP1000 to fit wall mount systems PN 80880-403



Note: 80880-403 *Custom Fit* screen pan and tilt head for Partner Tech SP1000 terminal shown with wall mount (PN# 80000). All mounting systems also available for VESA and non VESA compatible screens.

## Custom Fit pan and tilt head for Partner Tech SP1000 to fit wall mount systems PN 80880-403



### PRODUCT SPECIFICATIONS

- Supports a Partner Tech SP1000 terminal to integrate with any of our mounting products.
- Pan and tilt head adjusts without tools to lock the screen at any position side to side or up and down.
- Position of the pan and tilt head can also be locked more securely for the long term by tightening the pan and tilt head locking screws with a Phillips screw driver.
- Each arm supports up to 15 lbs.
- Most of our modular mounting systems can be easily reconfigured in the field for a different application by either adding or removing a few parts to create a support solution for any mounting location.
- Terminal screws to pan and tilt head for easy and secure installation and removal.
- Designated mounting location on pan and tilt head for the terminals external SATA hard drive.
- Possible mounting location for terminals power supply located on pan and tilt head.
- For assembly instructions see the User Manual which can be downloaded from the Product Resources page on our website.

**Custom Fit pan and tilt head for Partner Tech SP1000 to fit wall mount systems PN 80880-403**

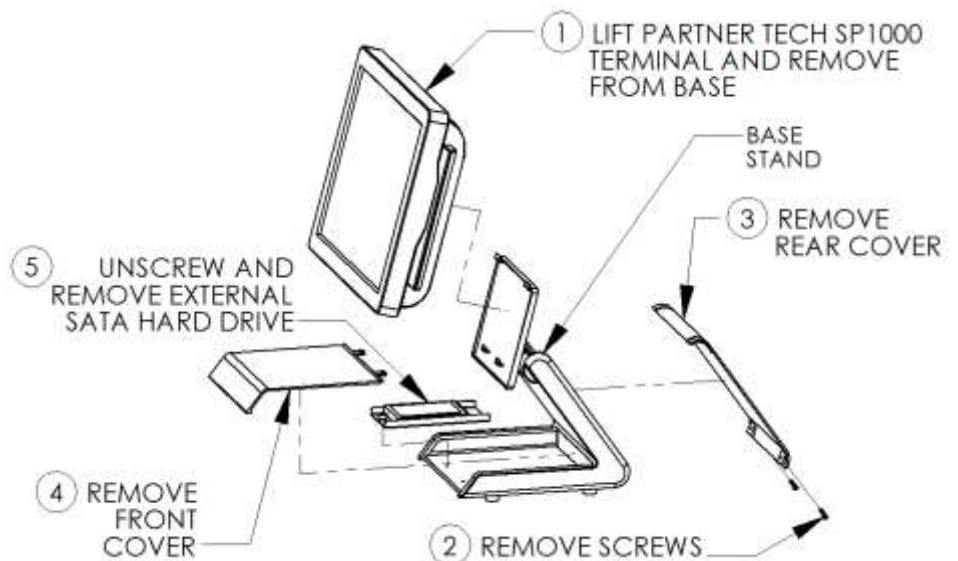
- For a list of all of our current non VESA compatible pan and tilt heads refer to the Custom Fit Pan and Tilt Heads page on our website. The page can be found listed under the Other Products section. If the website doesn't show the part number suffix that represents a type that is compatible with your screen pan and tilt head; send us a sample of your screen and we'll create a Custom Fit solution for you.
- To order this assembly use part number 80880-403

**REMOVING PARTNER TECH SP1000'S TERMINAL AND EXTERNAL SATA HARD DRIVE FROM BASE**

The Partner Tech SP1000's Terminal and External SATA Hard Drive must first be removed from the base stand before being installed on its *Custom Fit* pan and tilt head. To do that, perform the following steps:

**IMPORTANT!!!** Verify that the terminal is turned off and that the power cord is unplugged.

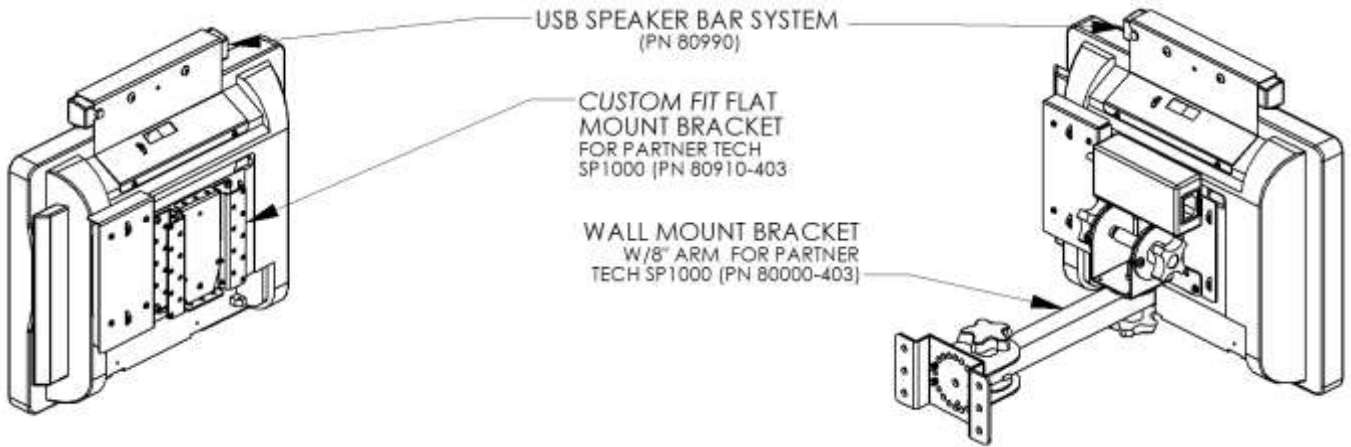
1. Remove the terminal from its base stand by pulling the terminal up and away from the base.
2. Remove the fastening screws.
3. Once screws are removed, remove the rear cover.
4. Now remove the front cover by pressing down on the securing tabs located on the back side of the base stand. This should release the front cover.
5. Unplug the external SATA hard drive and then remove by unscrewing the captive screw.
6. See image on page 2 to reference mounting locations for terminal and SATA hard drive.



### Custom Fit pan and tilt head for Partner Tech SP1000 to fit wall mount systems PN 80880-403

#### MOUNTING OPTIONS AND ACCESSORIES:

- Other options for mounting the Partner Tech SP1000 include a Flat Mount Bracket (PN 80910-403) and a Wall Mount Bracket w/8" arm (80000-403). See more examples of mounting systems below.



- USB Speaker Bar System available for Partner Tech SP1000 and PT 6910 terminals
- All of our screen pan and tilt heads can be used with any of the following mounting systems.

