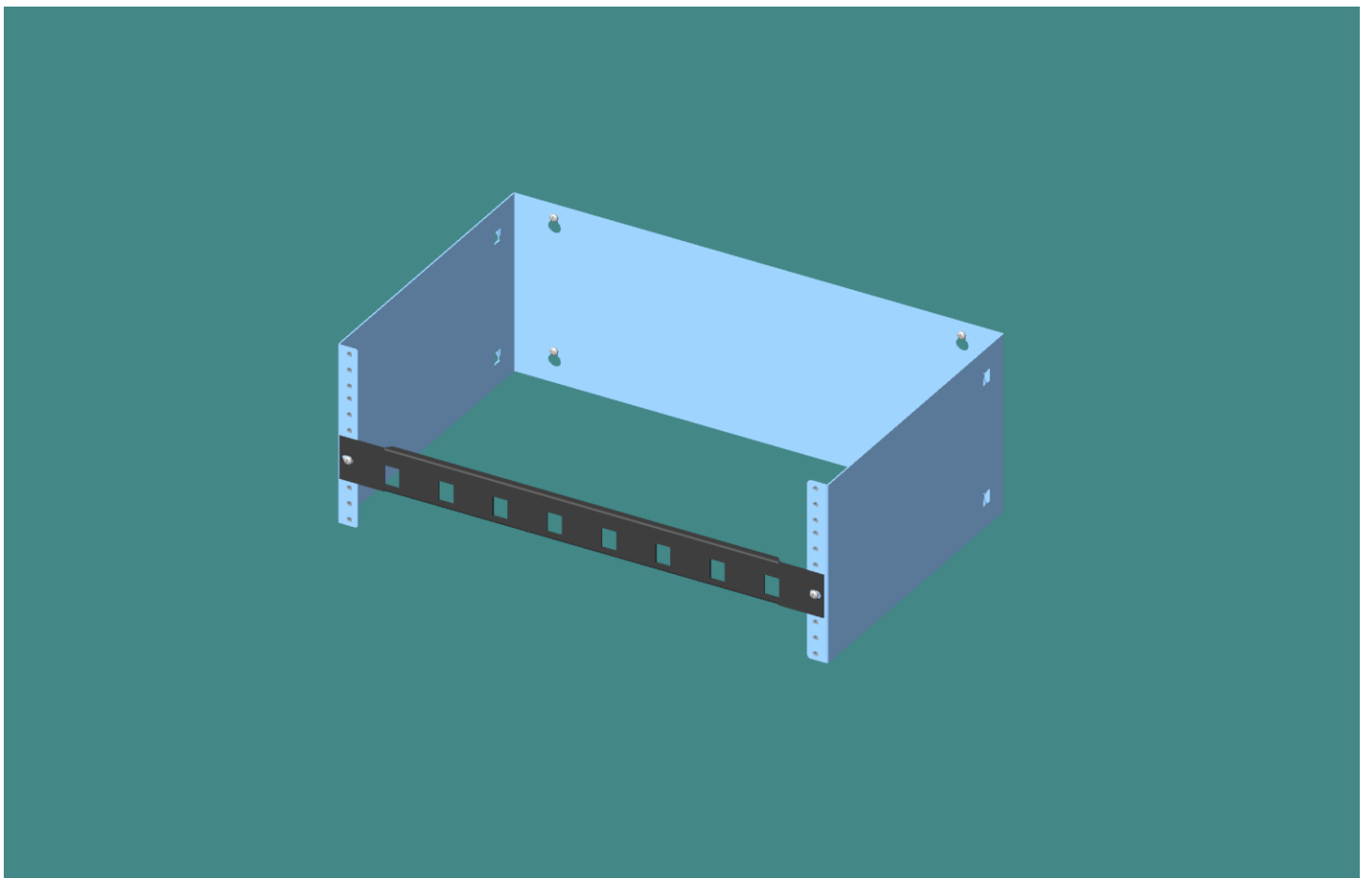
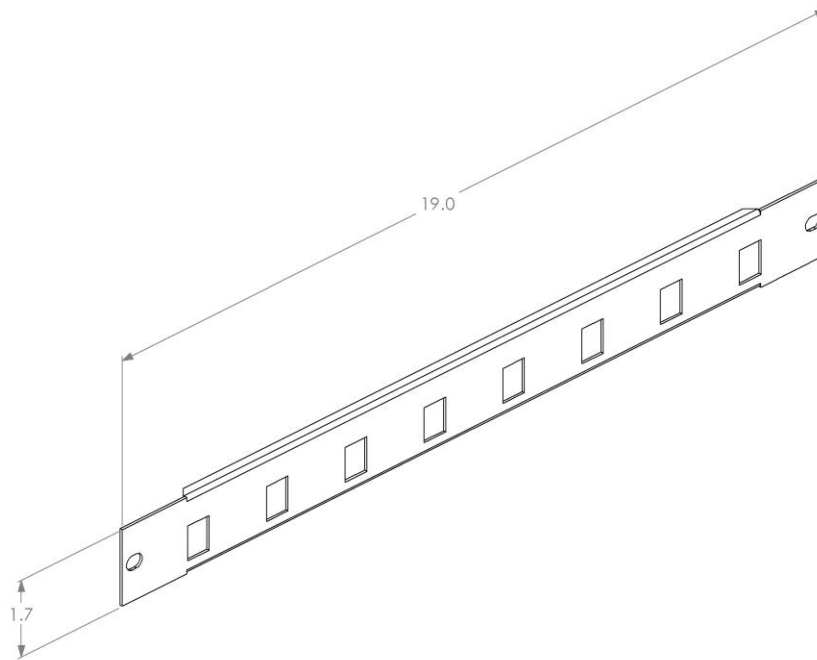


A 19" X 1U rack mount 8 port patch panel that accepts any standard Keystone compatible jack





PRODUCT SPECIFICATIONS

- 8P1UKPP is a 19" 1U patch panel with 8 port openings that are designed to accept any Keystone standard jacks or inserts.
- A great application of this product is to install RJ11 jacks to create a "telecom" patch panel right next to your network patch panel for all of the telephone line connections that support outboard PC modems, back up Credit card modems, and T1 or DSL uplink services.
- Use with our optional 19-12-4U WMB 19" wall mount bracket and WRS18-10 wire rack shelf. Install all of your peripheral devices such as modems, routers, etc. in the adjacent WRS18-10 wire rack shelf; and your network data switch, 24 port network patch panel, and cable management detail in the WM19-12-4U to create a totally organized data / telecom center. All of our small rack mount wall bracket components can be included together as a kit to create a complete Data / Telecom center solution.
- If desired, an optional Telecom Jack Kit can be added that includes 8 RJ11 telephone keystone jacks and bezels.