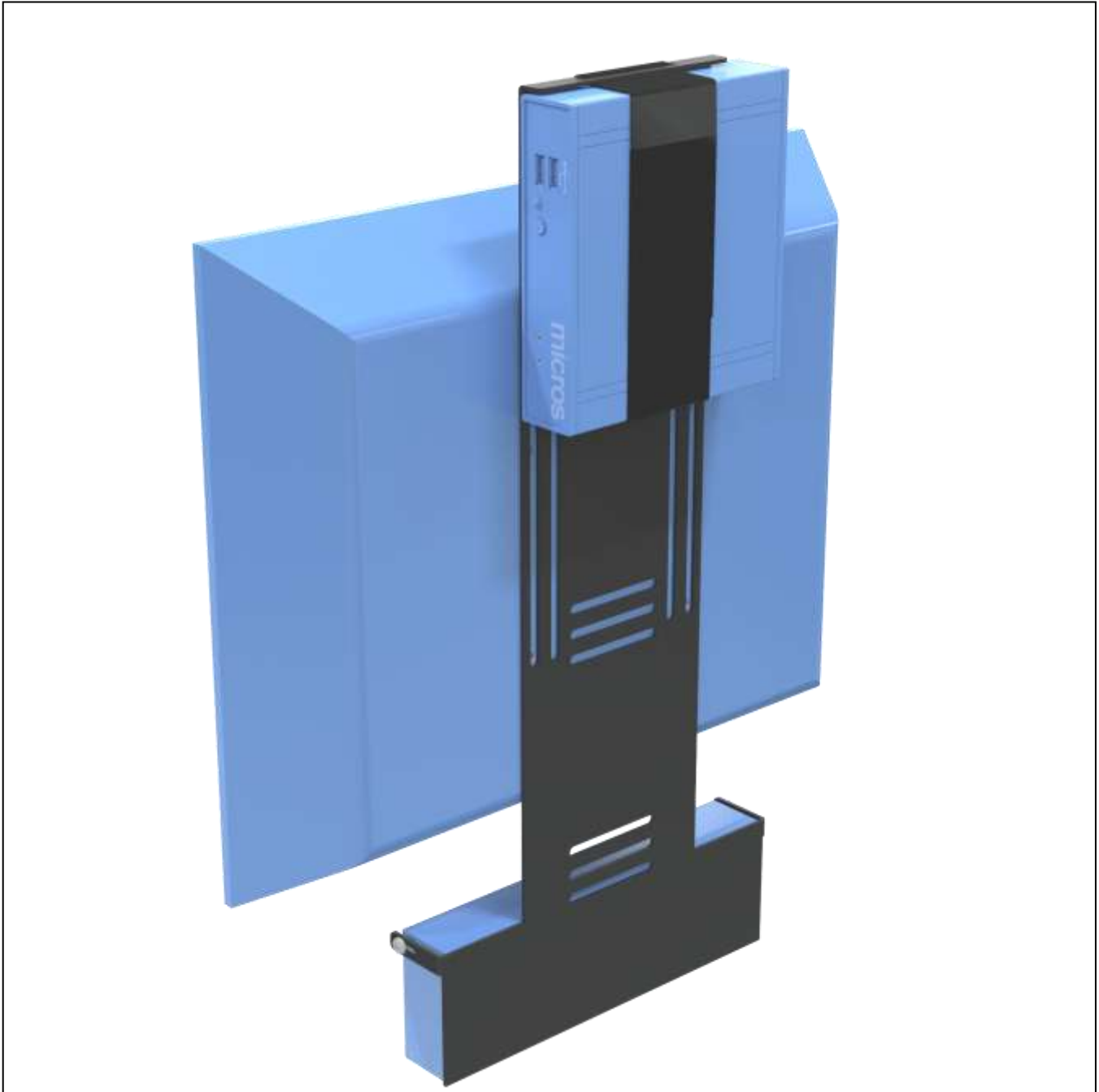


PQS

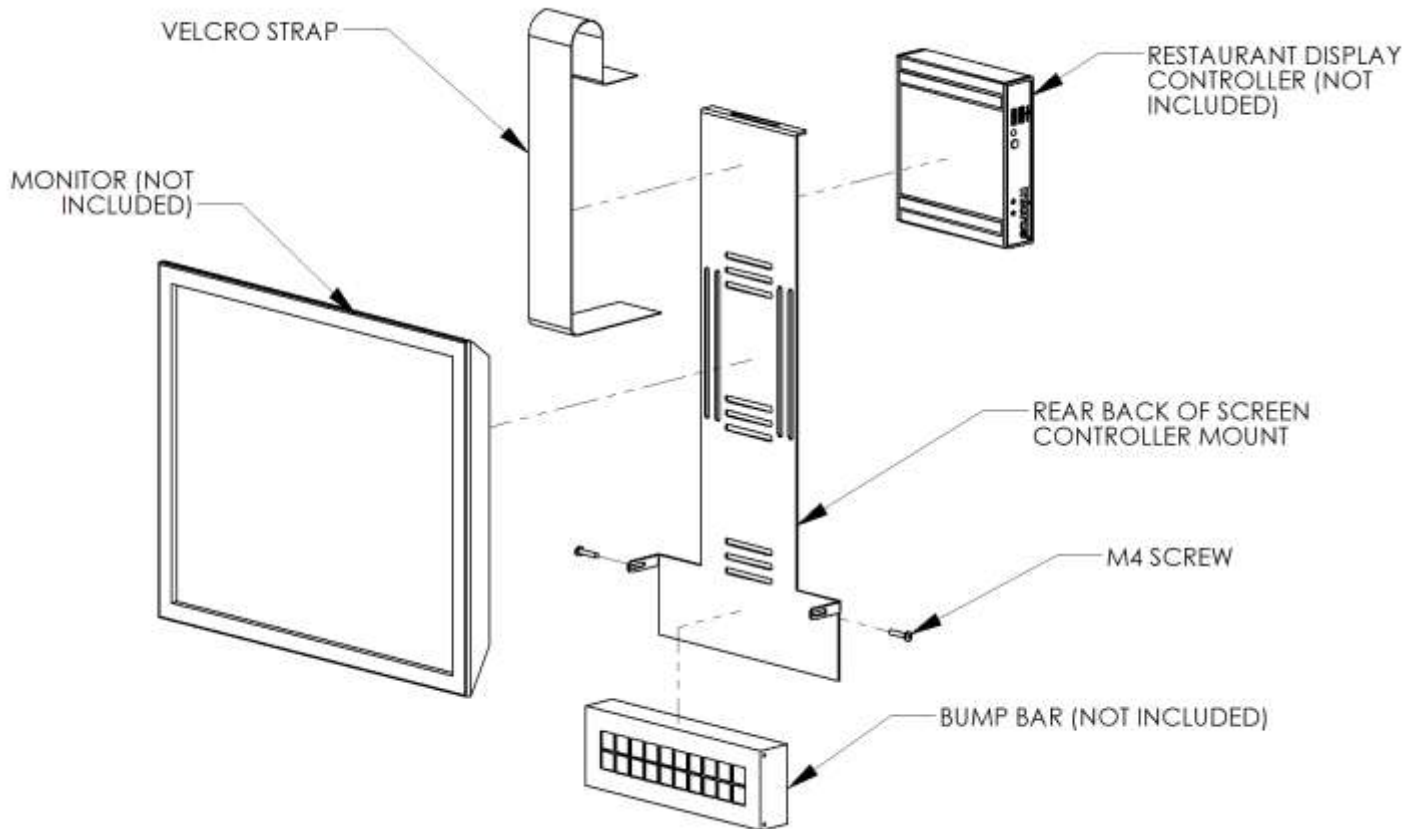
PRACTICAL QUALITY SYSTEMS
Fast Custom Manufacturing - Nationwide Installation Services

VESA compatible Universal Back of Screen Controller Mount for a MICROS RDC and a QSR keypad / bump bar PN 80502



Note: 80502 shown with 17" flat panel monitor, Micros DT-166 restaurant display controller, and bump bar.

VESA compatible Universal Back of Screen Controller Mount for a MICROS RDC and a QSR keypad / bump bar PN 80502



PRODUCT SPECIFICATIONS

- Mounts behind any 75 or 100 mm VESA compatible flat panel monitor, touch screen or terminal to support a MICROS RDC (Restaurant Display Controller) unit.
- The *Universal Back of Screen Controller Mount-QSR* mount can support the RDC unit above and a QSR KP3000 keypad / bump bar below the front of the screen.
- The RDC unit is secured with a section of hook and loop strapping.
- The QSR KP3000 unit is secured to integral tabs with the side screws of the keypad.
- Add an optional 18"VGA cable to connect a video controller or micro computer to the monitor or touch screen. This custom short Male/Male cable reduces "cable clutter" behind the screen for a cleaner installation.
- Most of our modular mounting systems can be easily reconfigured in the field for a different application by either adding or removing a few parts to create a support solution for any mounting location.
- To order this assembly use part number 80502.

VESA compatible Universal Back of Screen Controller Mount for a MICROS RDC and a QSR keypad / bump bar PN 80502

MOUNTING OPTIONS:

- All of our *Controller Mount Plates, Screen Pan and Tilt Heads, Custom Fit* components can be used with any of the following mounting systems.

