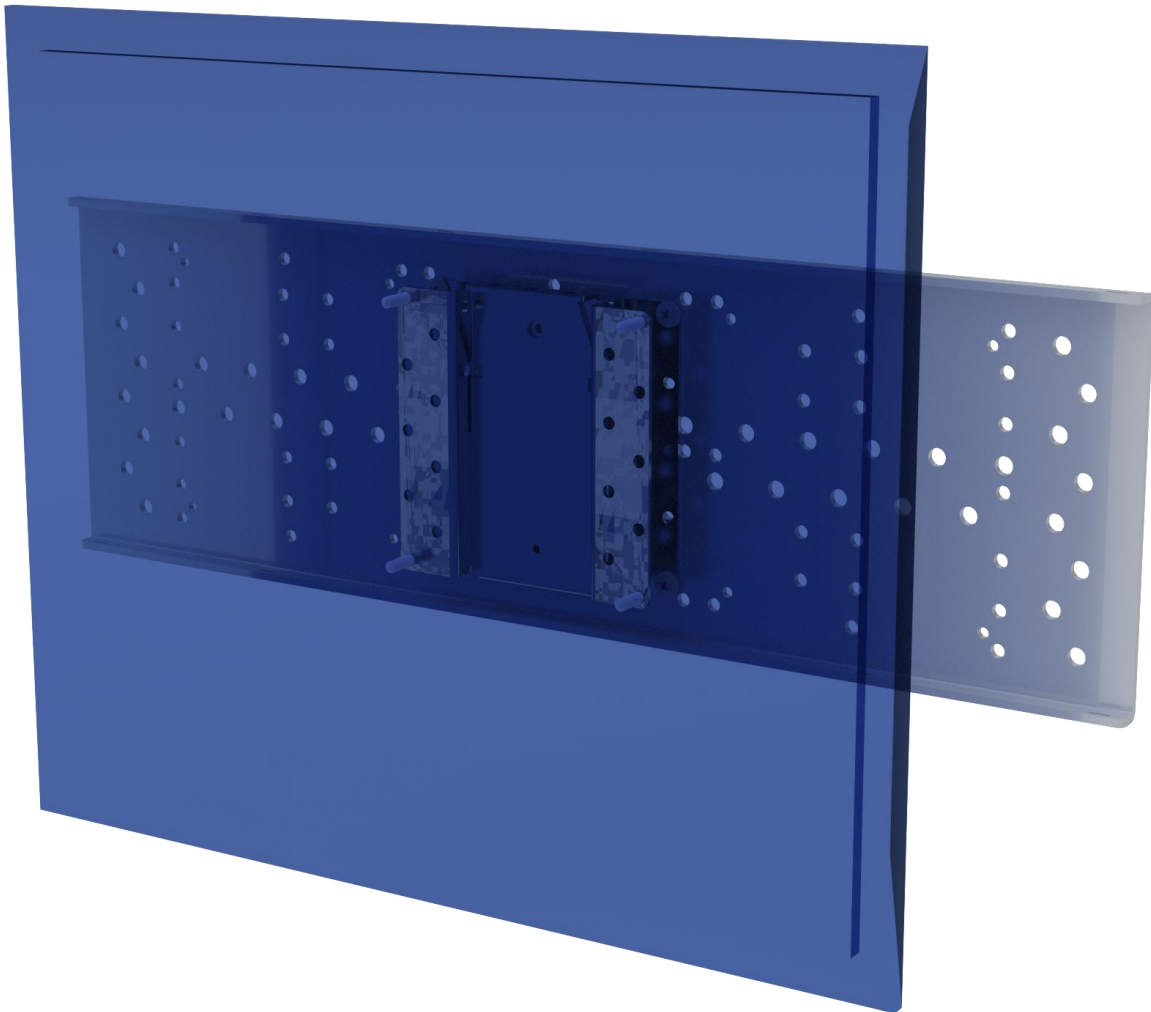


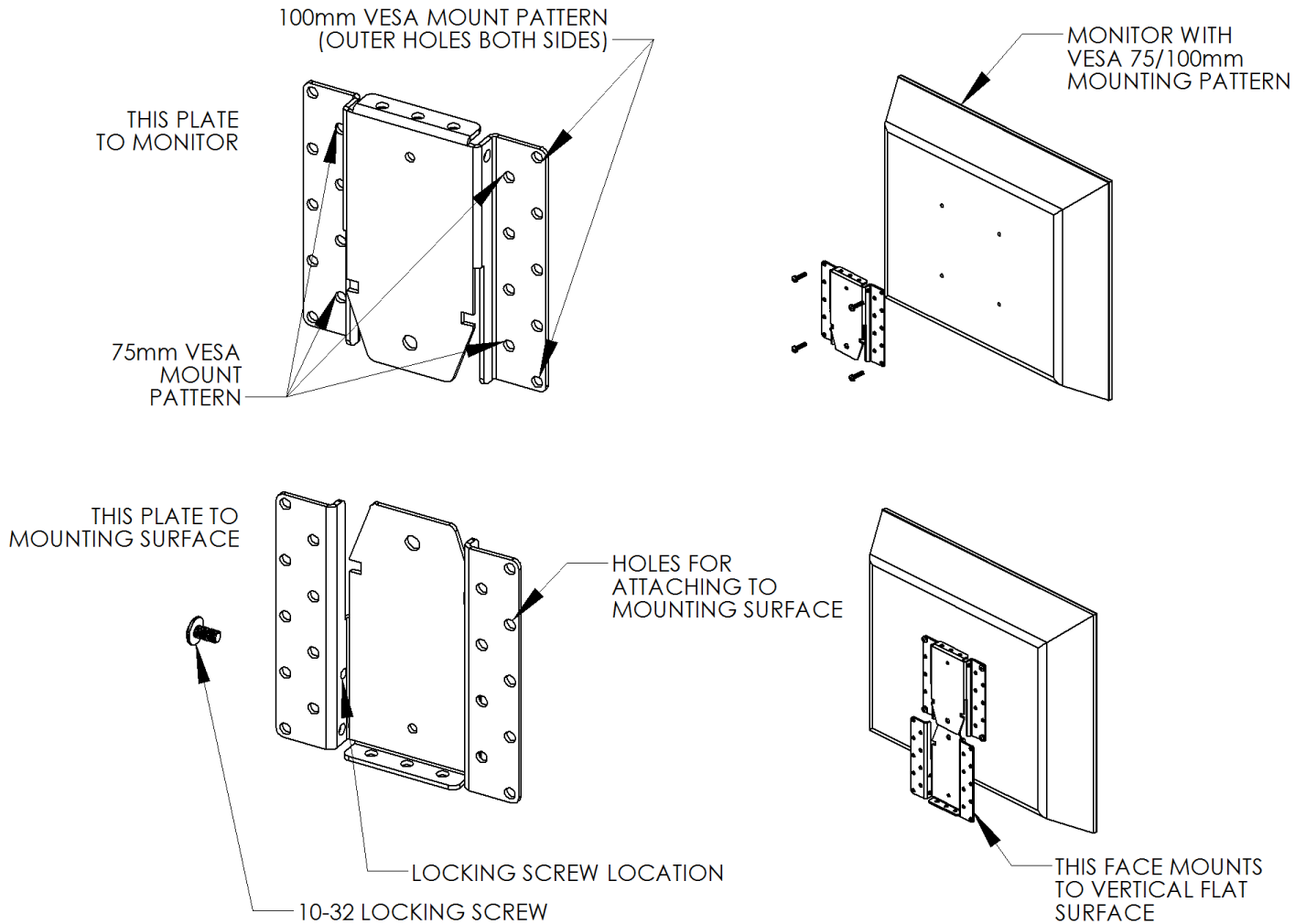
PQS

PRACTICAL QUALITY SYSTEMS
Fast Custom Manufacturing - Nationwide Installation Services

35Lb Stud Bridge with 100mm VESA Flat Mount PN 80975



35Lb Stud Bridge with 100mm VESA Flat Mount PN 80975



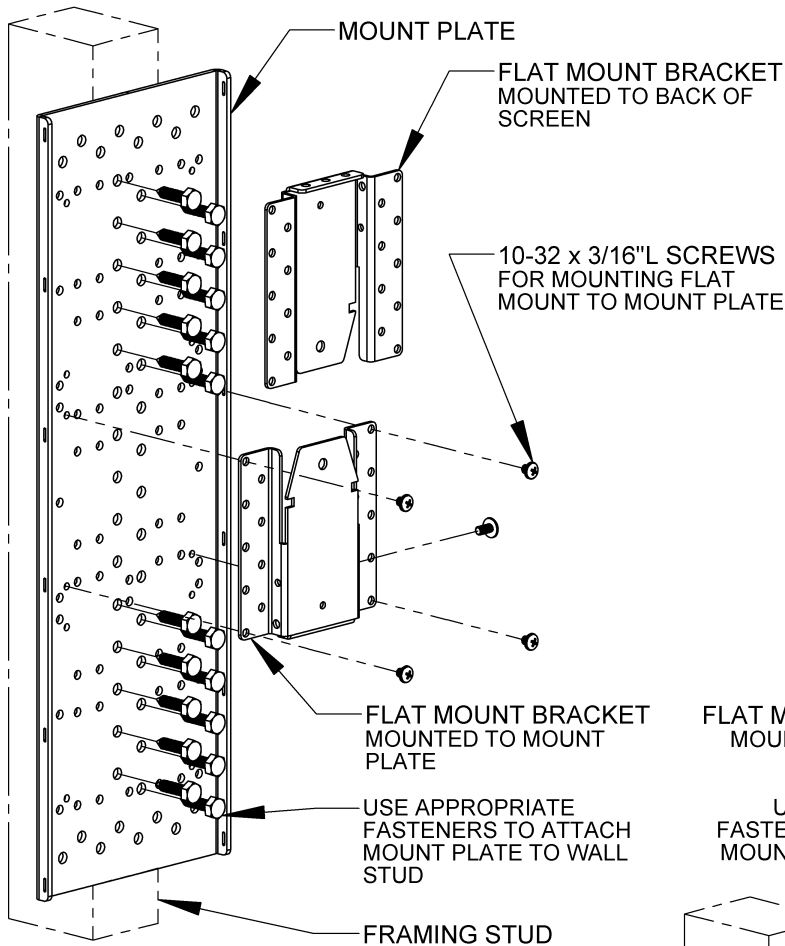
NOTE: 80910 with a 75/100mm VESA pattern shown. All NON VESA compatible assemblies with will appear differently.

PRODUCT SPECIFICATIONS

- Stud Bridge attaches to two wall studs that are 16" on center
- Stud Bridge can also be mounted centered on one wall stud with the pattern of holes down the middle either horizontally or vertically.
- Both mounting plates are identical and interchangeable. Either one can be mounted to the back of the monitor and to the flat surface that the monitor is to be mounted to.
- Bracket supports 75mm and 100mm VESA mounting hole patterns.
- 10-32 screws secure brackets in place at locking screw locations.
- Use part number 80973.
- To order this assembly with a *Custom Fit*, NON VESA compatible screen tilt head; use part number 80973 and add the part number suffix found on the *Custom Fit Pan and Tilt Heads* page on our website. The page can be found listed under the *Other Products* section. If the website doesn't show a suffix that represents a type that is compatible with your screen pan and tilt head; send us a sample of your screen and we'll create a *Custom Fit* solution for you.

35Lb Stud Bridge with 100mm VESA Flat Mount PN 80975

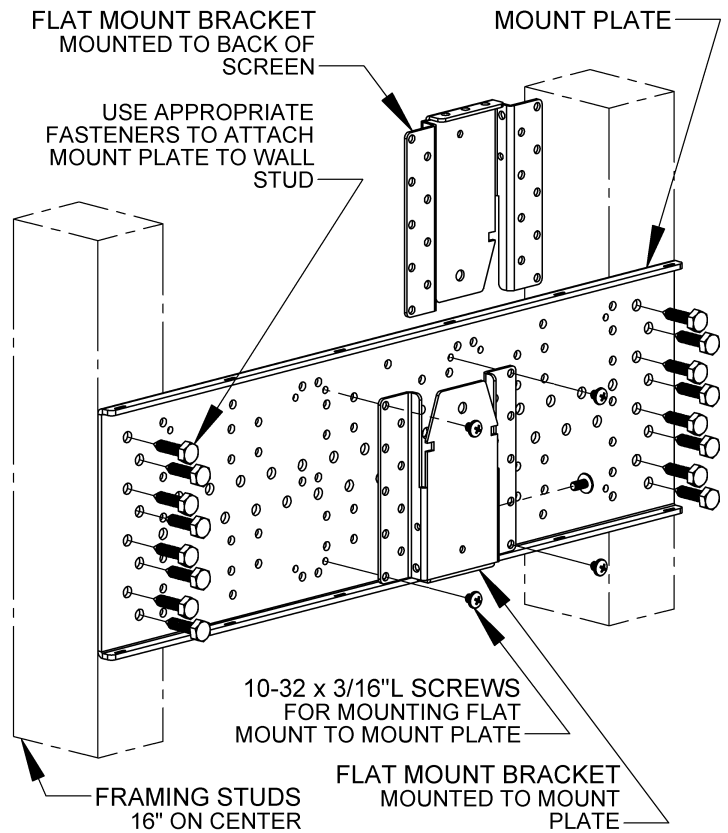
INSTALLING TO A VERTICAL FRAMING STUD



- ① CENTER MOUNT PLATE OVER VERTICAL FRAMING STUD. USE UPPER AND LOWER SETS OF HOLES TO INSERT FASTENERS AND SECURE TO STUD.
- ② ATTACH FLAT MOUNT BRACKET TO MOUNT PLATE USING FOUR (4) 10-32 x 3/16" SCREWS ORIENTATED AS SHOWN.
- ③ WITH MONITOR ALREADY ATTACHED TO OTHER FLAT MOUNT BRACKET, SLIDE THE BRACKET INTO THE OTHER AND USE THE 10-32 x 1/4" SCREW TO LOCK THEM TOGETHER.

- ① CENTER MOUNT PLATE BETWEEN VERTICAL FRAMING STUDS. USE MOUNT HOLES TO INSERT FASTENERS AND SECURE TO FRAMING STUDS.
- ② ATTACH FLAT MOUNT BRACKET TO MOUNT PLATE USING FOUR (4) 10-32 x 3/16" SCREWS ORIENTATED AS SHOWN.
- ③ WITH MONITOR ALREADY ATTACHED TO OTHER FLAT MOUNT BRACKET, SLIDE THE BRACKET INTO THE OTHER AND USE THE 10-32 x 1/4" SCREW TO LOCK THEM TOGETHER.

INSTALLING TO A HORIZONTAL FRAMING STUD



MOUNTING OPTIONS: 35LB CLASS MOUNTING PRODUCTS:

- **PQS** offers several mounting options for medium duty applications. All mounts available with 100mm VESA patterns. Most are also available with 200x200 and 200x100mm VESA mounting patterns.

