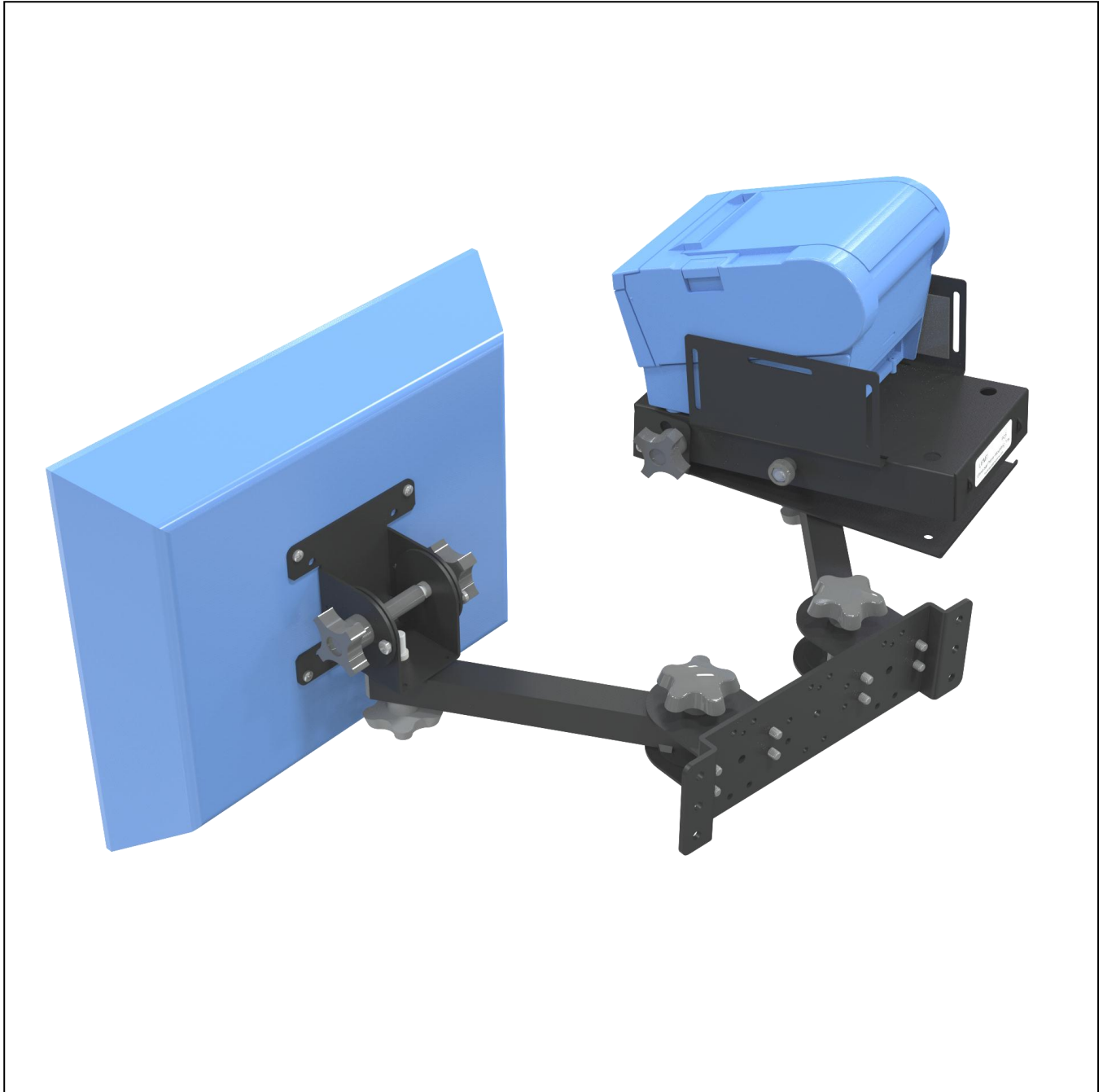


PQS

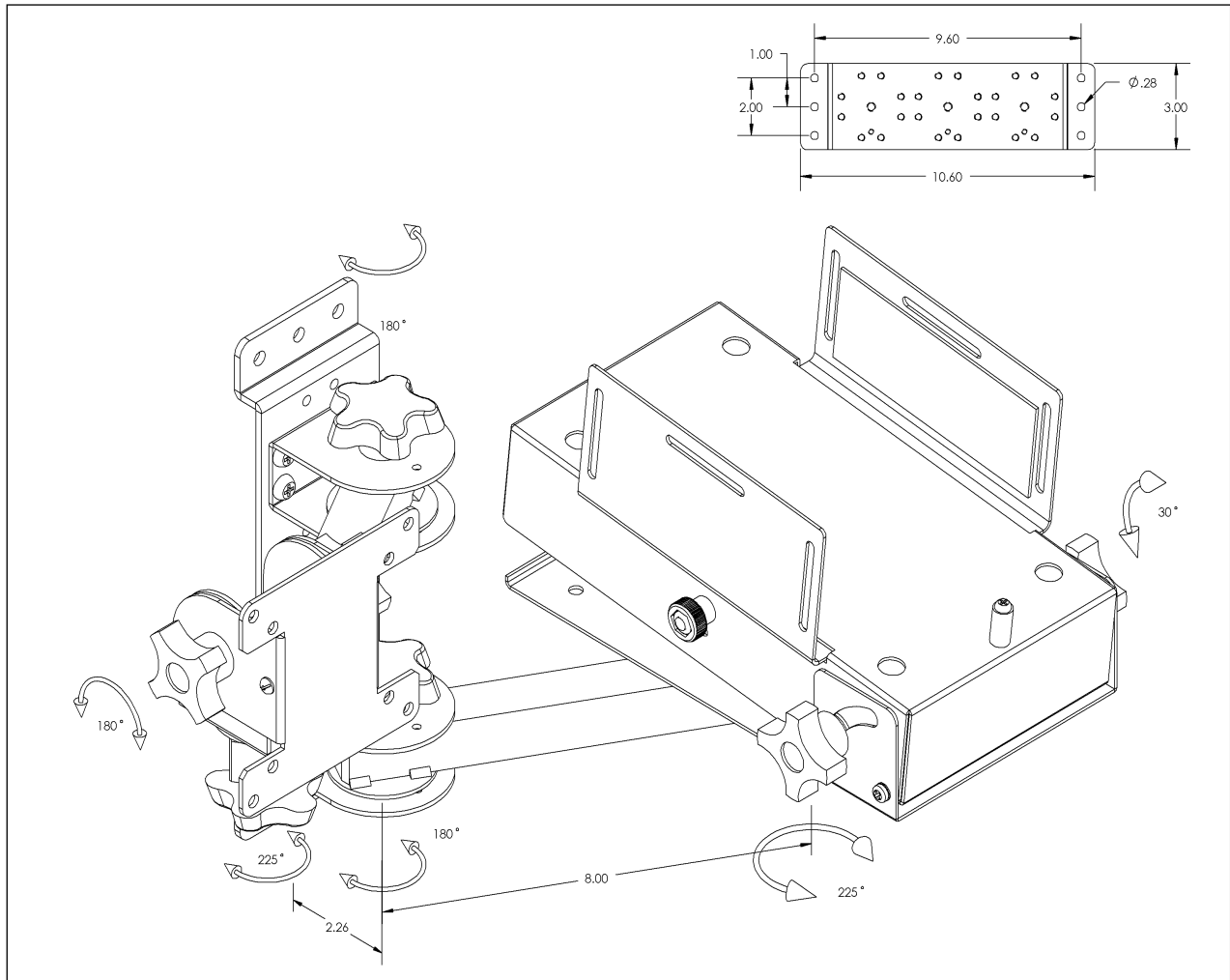
PRACTICAL QUALITY SYSTEMS
Fast Custom Manufacturing - Nationwide Installation Services

Wall Mount w/2 - 8" arms, a screen pan and tilt head, and a universal printer mounting tray PN 80003



NOTE: Horizontally mounted PN 80003 with a 75/100mm VESA pan and tilt head and a Universal Printer Mounting Tray shown. All mounting systems are also available for NON VESA compatible screens.

Wall Mount w/2 - 8" arms, a screen pan and tilt head, and a universal printer mounting tray PN 80003



NOTE: Vertically mounted PN 80003 with a 75/100mm VESA pan and tilt head and a Universal Printer Mounting Tray shown. All assemblies with NON VESA compatible pan and tilt heads will appear differently.

PRODUCT SPECIFICATIONS

- The assembly supports a touch screen, terminal or flat panel monitors up to 20" (all images are shown with a 17" screen) and a printer.
- Attaches to a wall or any other flat vertical surface.
- Attaches to a shelf or any other flat horizontal surface.
- Each arm supports up to 15 lbs.
- The assembly supports touch screens, terminals or flat panel monitors up to 20" (all images are shown with a 17" screen).
- Pan and tilt head adjust without tools to lock the screens at any position, side to side, or up and down.
- The position of the pan and tilt head can also be locked more securely for the long term by tightening the pan and tilt head locking screws with a Philips screw driver.
- The sides of the *Universal Printer Mounting Tray* adjust without tools to grip the sides of any printer from 5" to 9 1/2" wide.

Wall Mount w/2 - 8" arms, a screen pan and tilt head, and a universal printer mounting tray PN 80003

- The printer tray can be tilted forward, rotated and locked into position without tools.
- The positions of the 8" arms adjust without tools to permit the *Universal Printer Mounting Tray* and pan and tilt head to travel horizontally, allowing a range of positioning options.
- For ceiling or pole mounting, the *three arm mounting plate* attaches to any 1 ½" or smaller OD pipe with U bolts.
- The position of the arm can also be locked more securely for the long term by tightening the arm locking screw with a Phillips screw driver.
- The *Universal Printer Mounting Tray* also makes a great telephone mount.
- Most of our modular mounting systems can be easily reconfigured in the field for a different application by either adding or removing a few parts to create a support solution for any mounting location.
- All wall mountable assemblies can be ordered with an optional *Stud Bridge Mounting Plate* (PN 50360) that supports up to three arms and attaches to wall studs spaced at 16" on center.
- All wall mountable assemblies can be ordered with an optional *Pole Mounting Plate* (PN 50386) that supports up to three arms and attaches to any pole up to 8" diameter or column up to 24".
- For assembly instructions see the user manual which can be downloaded from the *Product Resources* page or on the top of the info page on our website.
- To order this assembly with a 75/100mm VESA compatible screen pan and tilt head; use part number 80003.
- To order this assembly with a *Custom Fit*, NON VESA compatible screen tilt head; use part number 80003 and add the part number suffix found on the *Custom Fit Pan and Tilt Heads* page on our website. The page can be found listed under the *Other Products* section. If the website doesn't show a suffix that represents a type that is compatible with your screen pan and tilt head; send us a sample of your screen and we'll create a *Custom Fit* solution for you.

MOUNTING OPTIONS:

- All of our screen pan and tilt heads can be used with any of the following mounting systems.

