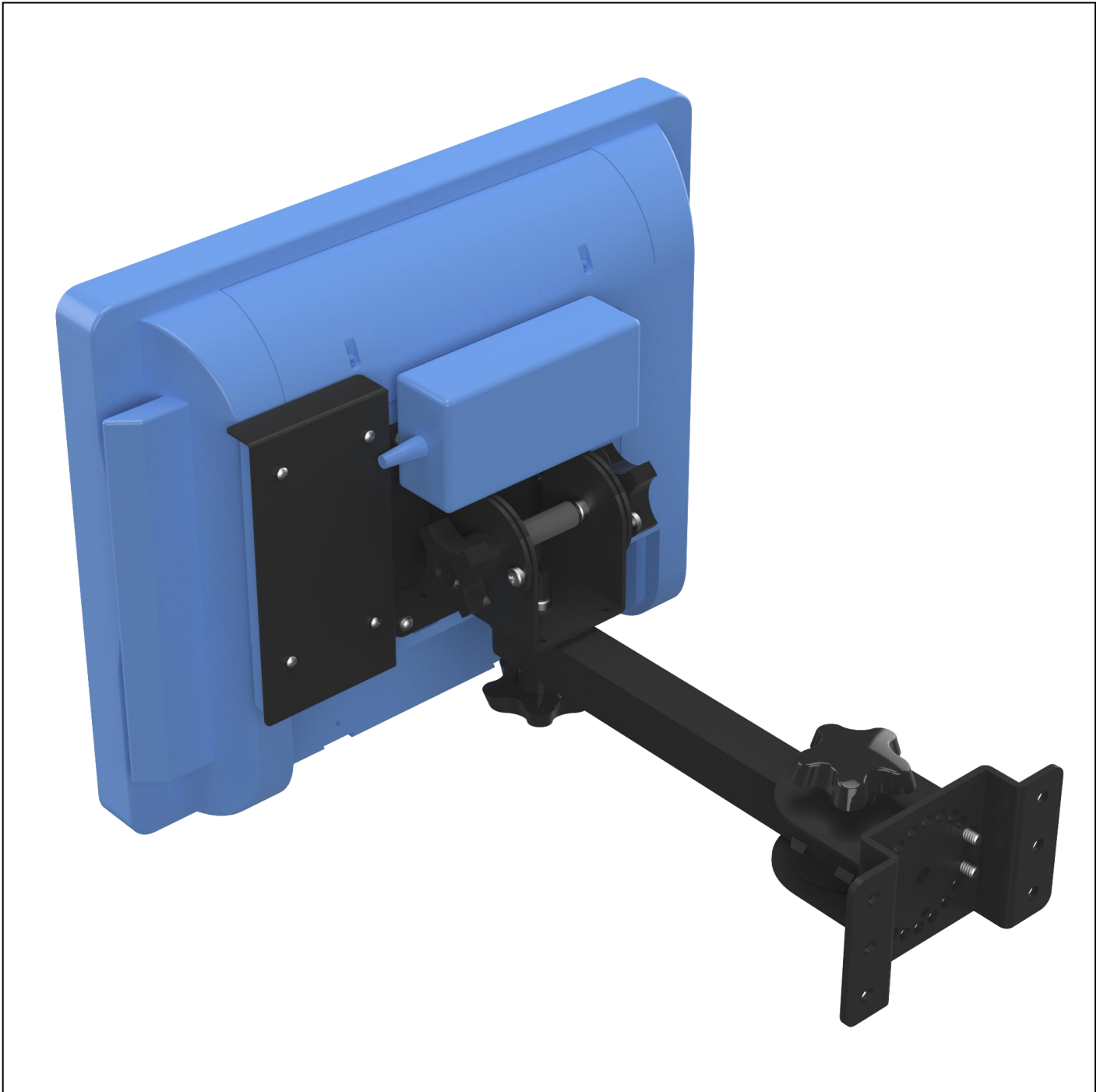


PQS

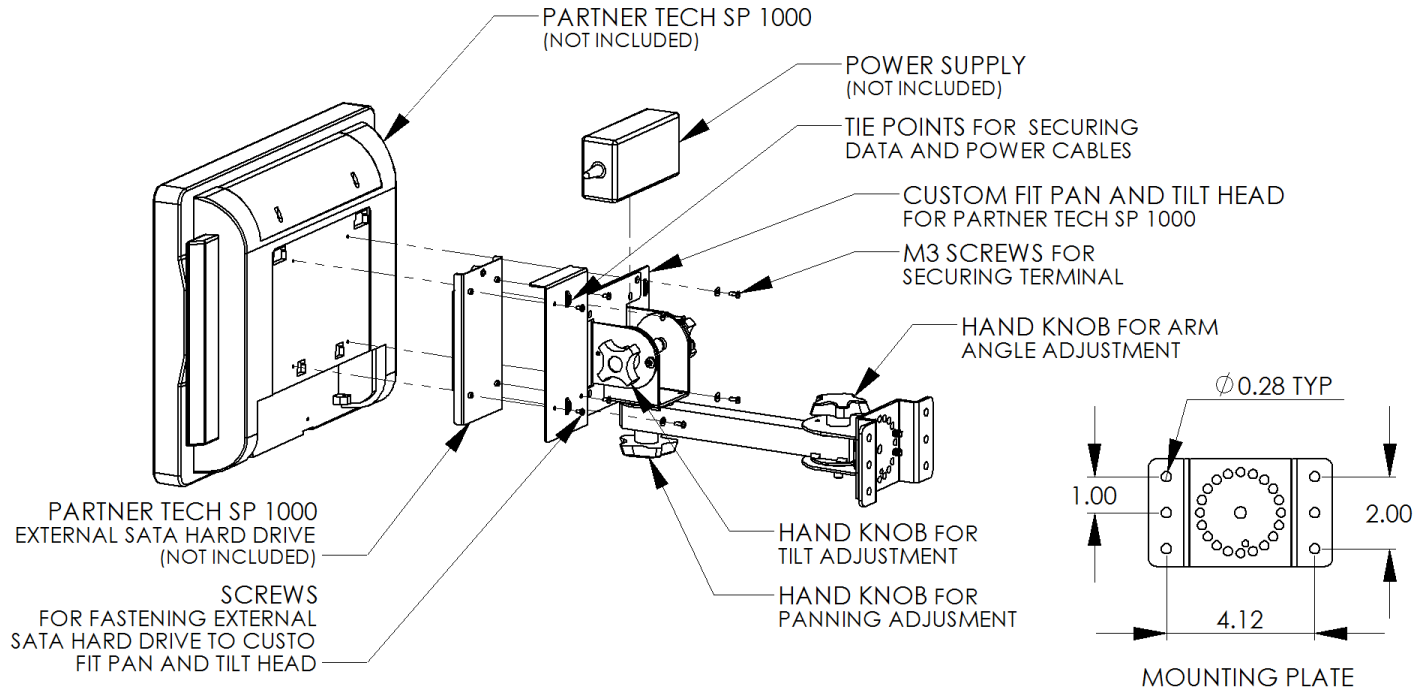
PRACTICAL QUALITY SYSTEMS
Fast Custom Manufacturing - Nationwide Installation Services

Wall Mount w/8" arm and a *Custom Fit* pan and tilt head for Partner Tech SP1000 PN 80000-403



NOTE: 80000-403 with a *Custom Fit* pan and tilt head for a Partner Tech SP1000 terminal. All mounting systems are also available for VESA compatible screens.

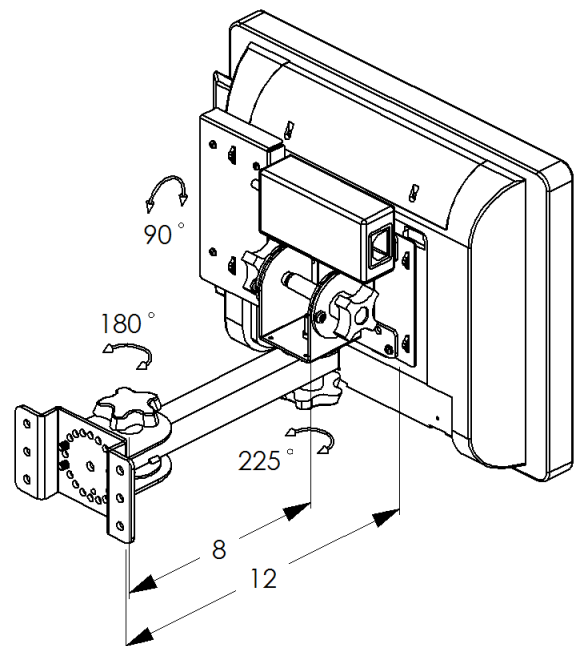
Wall Mount w/8" arm and a *Custom Fit* pan and tilt head for Partner Tech SP1000 PN 80000-403



NOTE: 80000-403 with a *Custom Fit* pan and tilt head for a Partner Tech SP1000 terminal. All assemblies with NON VESA compatible pan and tilt heads will appear differently.

PRODUCT SPECIFICATIONS

- Available with pan and tilt heads to support all VESA and NON VESA compatible touch screens, terminals or flat panel monitors. Refer to the *Custom Fit Pan and Tilt Heads* page on our website found in the *Other Products* section for the most current list of options. If we don't have a compatible pan and tilt head; send us a sample of your screen and we'll create a custom fit solution for you.
- The assembly includes a *Custom Fit* pan and tilt head to support a Partner Tech SP1000 terminal.
- The Partner Tech SP1000's external SATA hard drive mounts securely and is partially enclosed by the pan and tilt head's protective metal shrouding.
- Monitor and hard drive are screwed in for easy and secure installation.
- Tilt head mount tabs can also serve as a mount for the monitor power supply.
- Attaches to a wall or any other flat vertical surface.
- Attaches to a shelf or any other flat horizontal surface.
- The *Custom Fit* pan and tilt head adjusts without tools to lock the screen at any position, side to side, or up and down.
- The position of the 8" arm adjusts without tools and permits the pan and tilt head to travel horizontally, allowing a wide range of screen locations.



Wall Mount w/8" arm and a *Custom Fit* pan and tilt head for Partner Tech SP1000 PN 80000-403

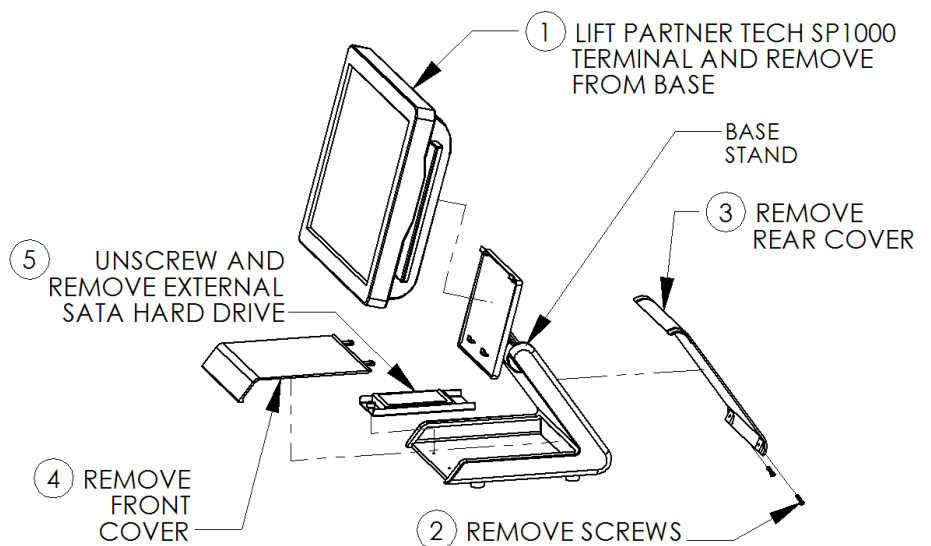
- For ceiling or pole mounting, the *single arm mounting plate* attaches to any 3 ½" or smaller OD pipe with U bolts.
- The position of the pan and tilt head can also be locked more securely for the long term by tightening locking screws on the pan and tilt head with a Phillips screw driver.
- The position of the arm can also be locked more securely for the long term by tightening the arm locking screw with a Phillips screw driver.
- Add an optional *three arm mounting plate* and another arm with a *Universal Printer Mounting Tray* to support a printer right next to the terminal.
- Each arm supports up to 15 lbs.
- Most of our modular mounting systems can be easily reconfigured in the field for a different application by either adding or removing a few parts to create a support solution for any mounting location.
- For assembly instructions see the user manual which can be downloaded from the *Product Resources* page on our website.
- All wall mountable assemblies can be ordered with an optional *Stud Bridge Mounting Plate* (PN 50360) that supports up to three arms and attaches to wall studs spaced at 16" on center.
- All wall mountable assemblies can be ordered with an optional *Pole Mounting Plate* (PN 50386) that supports up to three arms and attaches to any pole up to 8" diameter or column up to 24".
- To order this assembly use part number 80000-403.
- Available with pan and tilt heads to support all VESA and NON VESA compatible touch screens, terminals or flat panel monitors. Refer to the *Custom Fit Pan and Tilt Heads* page on our website found in the *Other Products* section for the most current list of options. If the website doesn't show a suffix that represents your compatible pan and tilt head then send us a sample of your screen and we'll create a *Custom Fit* solution for you.

REMOVING PARTNER TECH SP1000'S TERMINAL AND EXTERNAL SATA HARD DRIVE FROM BASE

The Partner Tech SP1000's Terminal and External SATA Hard Drive must first be removed from the base stand before being installed on its *Custom Fit* pan and tilt head. To do that, perform the following steps:

IMPORTANT!!! Verify that the terminal is turned off and that the power cord is unplugged.

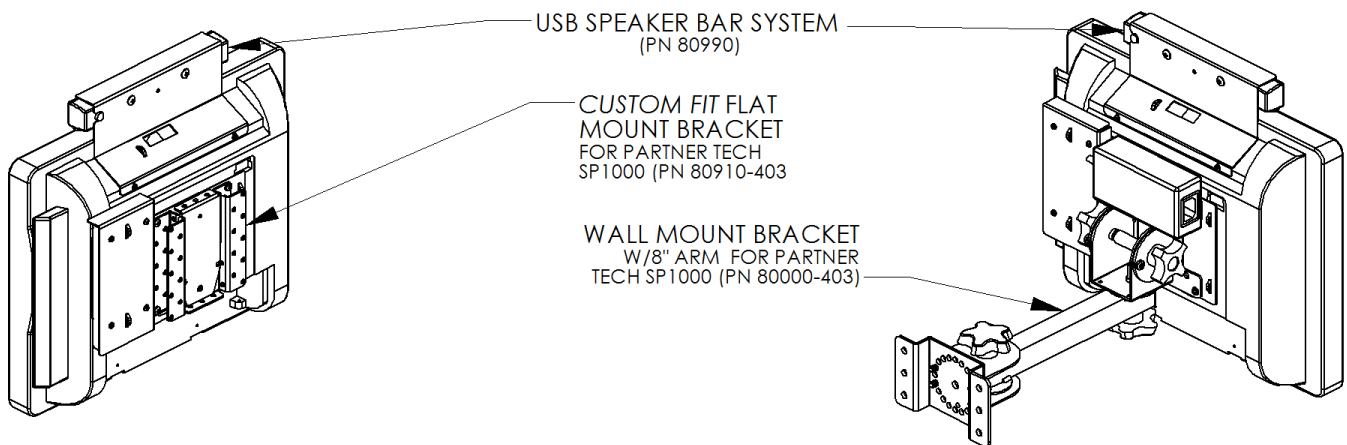
1. Remove the terminal from its base stand by pulling the terminal up and away from the base.
2. Remove the fastening screws.
3. Once screws are removed, remove the rear cover.
4. Now remove the front cover by pressing down on the securing tabs located on the back side of the base stand. This should release the front cover.
5. Unplug the external SATA hard drive and then remove the by unscrewing the captive screw.
6. See image on page 2 to reference mounting locations for terminal and SATA hard drive.



Wall Mount w/8" arm and a Custom Fit pan and tilt head for Partner Tech SP1000 PN 80000-403

MOUNTING OPTIONS AND ACCESSORIES

- Other options for mounting the Partner Tech SP1000 include a Flat Mount Bracket (PN 80910-403) and a Wall Mount Bracket w/8" arm (80000-403). See more examples of mounting systems below.
- USB Speaker Bar System available for Partner Tech SP1000 and PT 6910 terminals



- All of our screen pan and tilt heads can be used with any of the following mounting systems.

