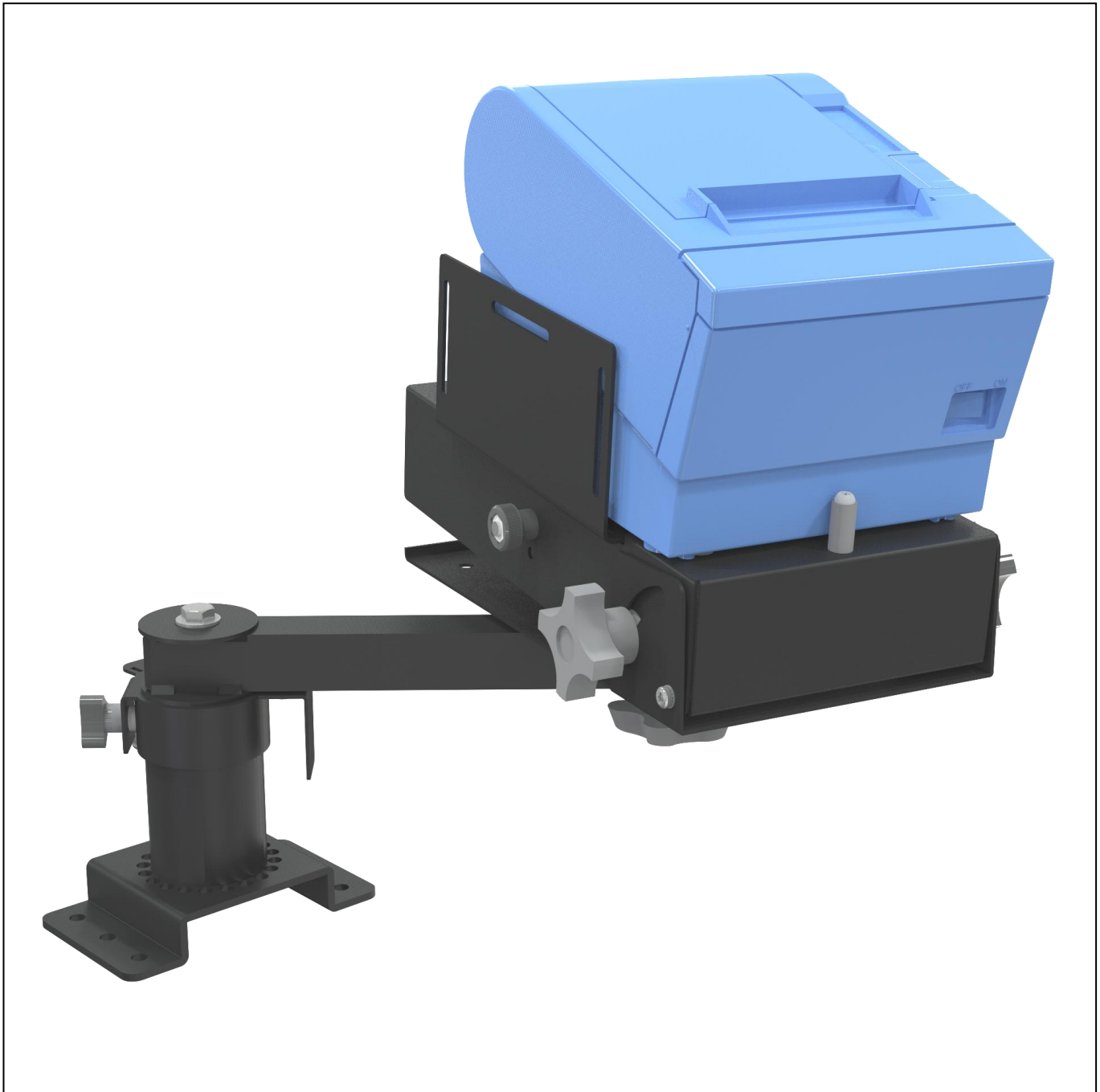


PQS

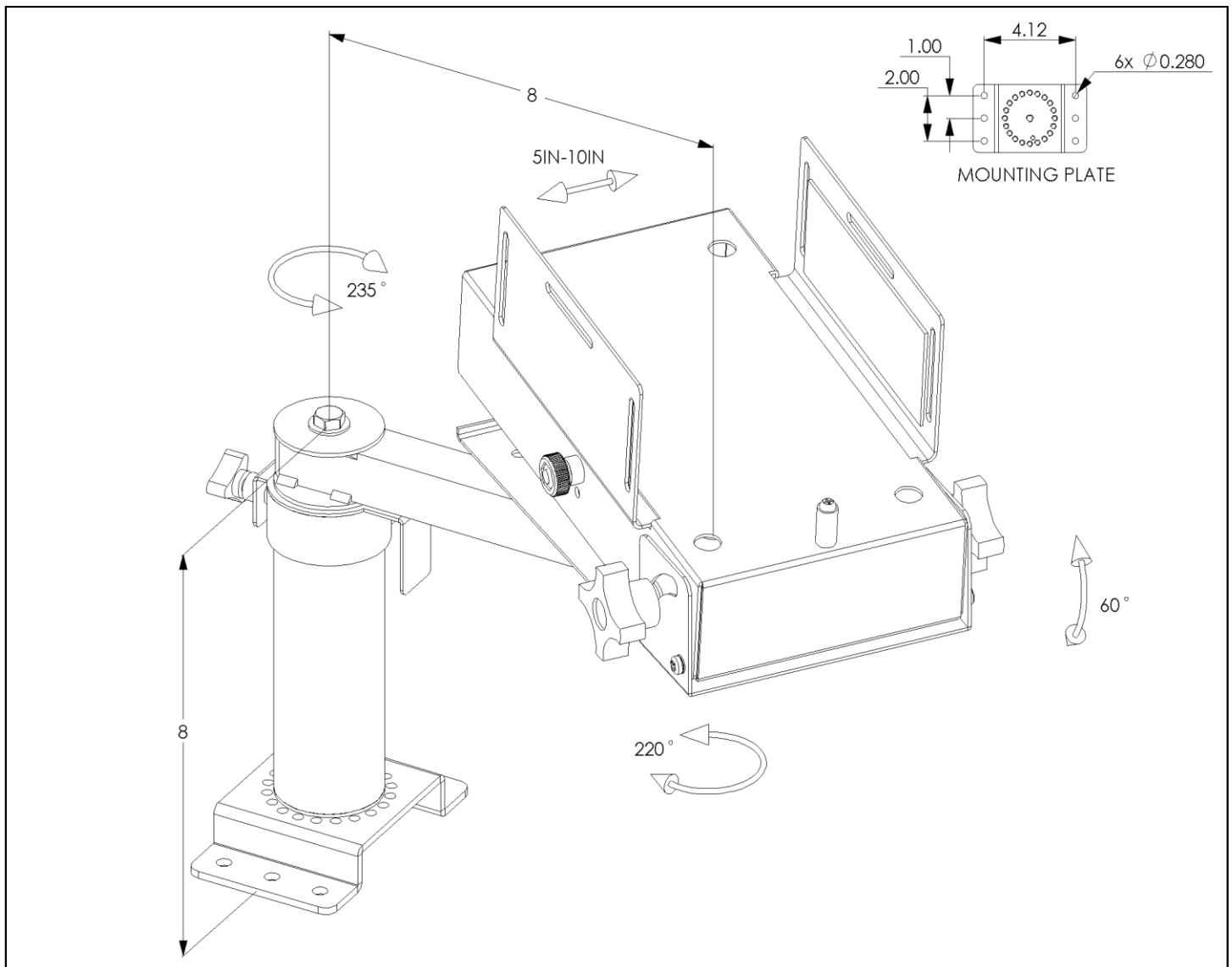
PRACTICAL QUALITY SYSTEMS
Fast Custom Manufacturing - Nationwide Installation Services

Pedestal Mount w/3" or 6" riser, 8" arm, and a universal printer mounting tray PN 80084-80085



NOTE: 80085 with a 3" riser and *Universal Printer Mounting Tray* shown.

Pedestal Mount w/3" or 6" riser, 8" arm, and a universal printer mounting tray PN 80084-80085



NOTE: 80084 with a 6" riser and a *Universal Printer Mounting Tray* shown.

PRODUCT SPECIFICATIONS

- Attaches to a counter top, shelf or any other flat horizontal surface.
- In some cases it is recommended to install a screen on a 6 inch riser and printer on a 3 inch riser.
- A 3" or 6" riser elevates the 8" arm above the mounting surface and allows the *Universal Printer Mounting Tray* to travel horizontally to permit a wide range of printer locations.
- The sides of the *Universal Printer Mounting Tray* adjust without tools to grip the sides of any printer from 5" to 9 1/2" wide.
- The *Universal Printer Mounting Tray* can be tilted forward, rotated and locked into position without tools.
- The position of the 8" arm adjusts without tools to permit the printer tray to travel horizontally allowing a range of positioning options.

Pedestal Mount w/3" or 6" riser, 8" arm, and a universal printer mounting tray PN 80084-80085

- Integral stop details on the riser and arm can be located at any setting to prevent cable damage when the arm supporting the screen or the printer is rotated around the riser.
- The *Universal Printer Mounting Tray* can be easily removed from the arm and attached directly to the top of the riser.
- Add an optional *three arm mounting plate*, a riser, and an arm with a screen pan and tilt head to support a terminal right next to the printer.
- The riser cap incorporates a cable tie point to secure the cables so that they will travel safely as the arm is rotated.
- The arms can rotate freely or be locked in any position horizontally without tools at the riser cap.
- The *Universal Printer Mounting Tray* also makes a great telephone mount.
- Most of our modular mounting systems can be easily reconfigured in the field for a different application by either adding or removing a few parts to create a support solution for any mounting location.
- Please specify either a 3" or 6" riser when ordering.
- Each arm supports up to 15 lbs.
- For assembly instructions see the *User Manual* which can be downloaded from the *Product Resources* page, or from the top of the info sheet on our website.

PRODUCT ASSEMBLIES

See descriptions below for the different product configurations to determine which best suites your needs.

- PN 80084
Pedestal Mount w/ 6" riser, 8" arm, and a *Universal Printer Mounting Tray*
- PN 80085
Pedestal Mount w/ 3" riser, 8" arm, and a *Universal Printer Mounting Tray*

Pedestal Mount w/3" or 6" riser, 8" arm, and a universal printer mounting tray PN 80084-80085

MOUNTING OPTIONS:

- UPMT and UKMT assemblies as well as all our screen pan and tilt heads can be used with any of the following mounting systems.

