

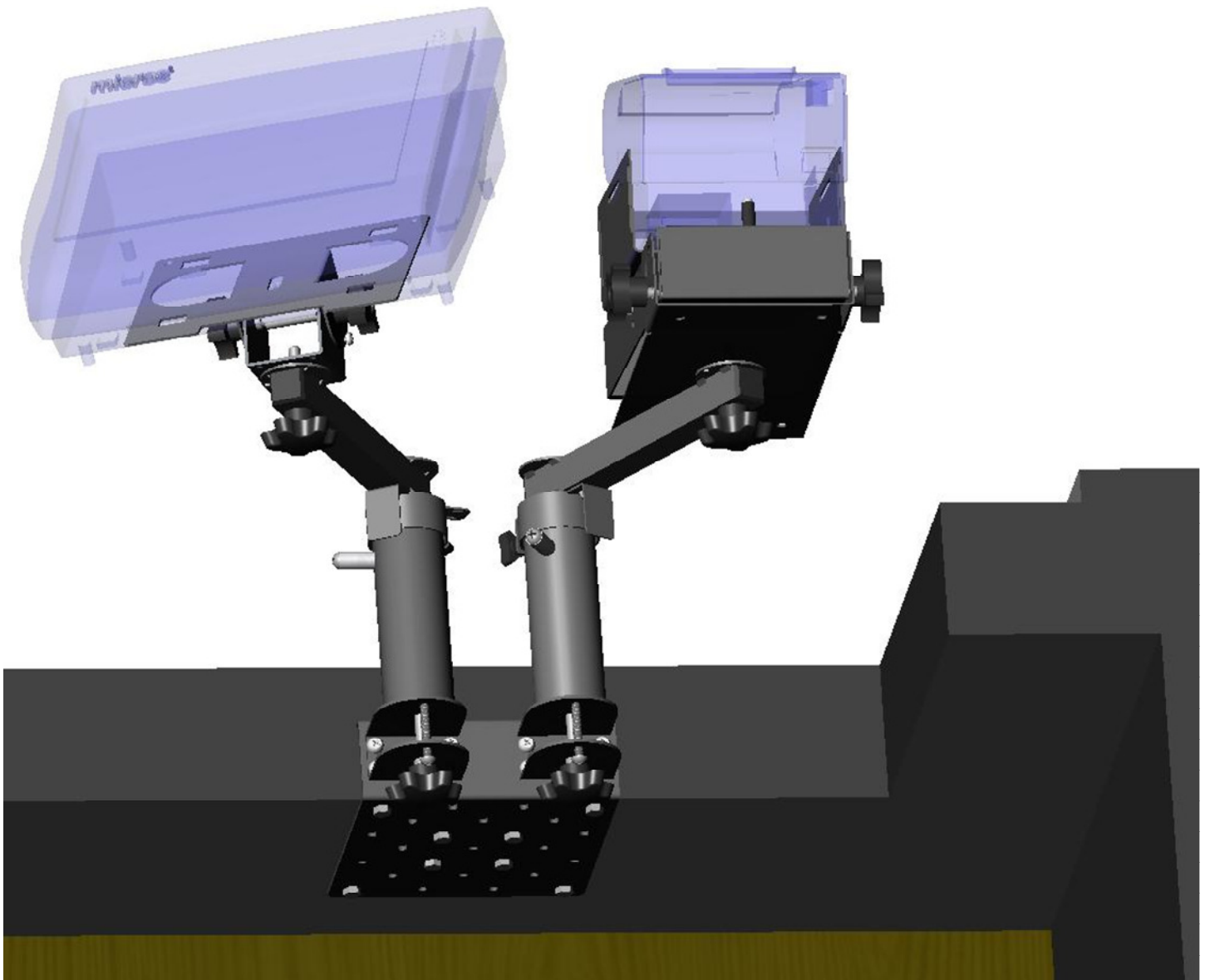
PQS

PRACTICAL QUALITY SYSTEMS

Fast Custom Manufacturing - Nationwide Installation Services

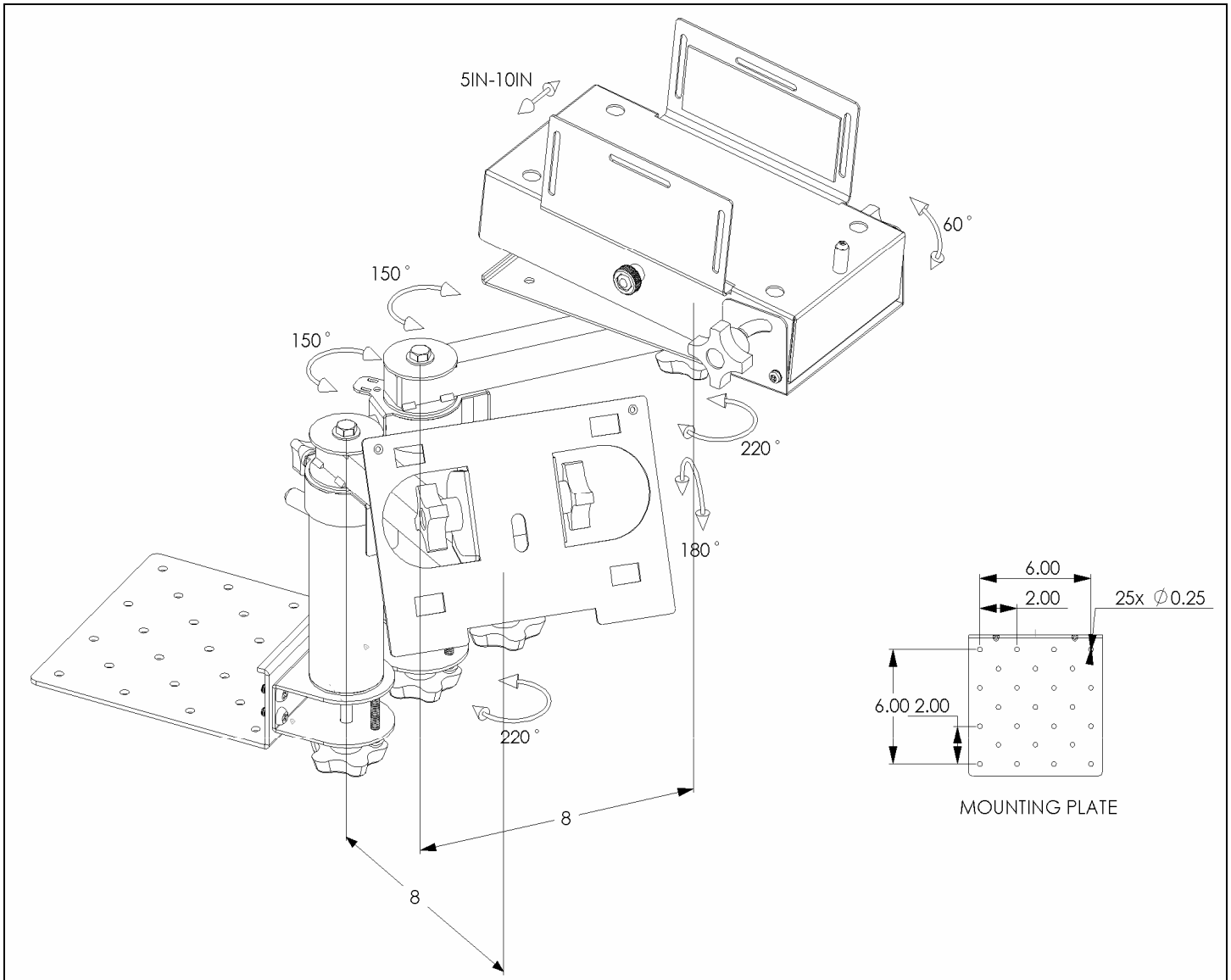
UVHM-UC-R-WS4-UPMT

A two position under counter mounting plate with two 3" or 6" risers, two 8" arms, a WS4 tilt head and a universal printer mounting tray



UVHM-UC-R-WS4-UPMT

A two position under counter mounting plate with two 3" or 6" risers, two 8" arms, a WS4 tilt head and a universal printer mounting tray



PRODUCT ASSEMBLIES

- UVHM-UC-R6-WS4-R6-UPMT: PN 80249
A two position under counter mounting plate with two 6" risers, two 8" arms, a WS4 tilt head and a universal printer mounting tray
- UVHM-UC-R3-WS4-R3-UPMT: PN 80250
A two position under counter mounting plate with two 3" risers, two 8" arms, a WS4 tilt head and a universal printer mounting tray
- UVHM-UC-R6-WS4-R3-UPMT: PN 80251
A two position under counter mounting plate with one 6" riser, one 3" riser, two 8" arms, a WS4 tilt head and a universal printer mounting tray

UVHM-UC-R-WS4-UPMT

A two position under counter mounting plate with two 3” or 6” risers, two 8” arms, a WS4 tilt head and a universal printer mounting tray

PRODUCT SPECIFICATIONS

- Supports a MICROS WS4 terminal and a printer.
- Attaches underneath of a counter top, a shelf or any other flat horizontal surface.
- In some cases it is recommended to install a screen on a 6 inch riser and printer on a 3 inch riser.
- The 3” or 6” risers elevate the 8” arms above the mounting surface and allow the terminal and the printer to travel horizontally and permit a wide range positioning locations.
- WS4 tilt head adjusts without tools to lock the screen at any position, side to side, or up and down.
- The position of the tilt head can be locked more securely for the long term by tightening the tilt head locking screws with a Phillips screw driver.
- The sides of the printer tray adjust without tools to grip the sides of any printer from 5” to 9 ½” wide.
- The printer tray can be tilted forward, rotated and locked into position without tools.
- The UPMT also makes a great telephone mount.
- Integral stop details on the riser and arm can be located at any setting to prevent cable damage when the arm supporting the screen or the printer is rotated around the riser.
- The arms can rotate freely or be locked in any position horizontally without tools at the riser cap.
- The tilt head includes integral stop details that limit a full rotation to the right or left to prevent cable damage.
- The tilt head or printer can be easily removed from the arm and attached directly to the top of the riser.
- The riser cap incorporates a cable tie point to secure the cables so that they will travel safely as the arm is rotated.
- This assembly is part of the UVHM system which includes many components that can be mixed and matched to create a support solution for any mounting location. Most of the UVHM assemblies can be easily reconfigured in the field for a different application by either adding or deleting a few parts.
- Please specify either 3” or 6” riser(s) when ordering.
- Each arm supports up to 15 lbs.