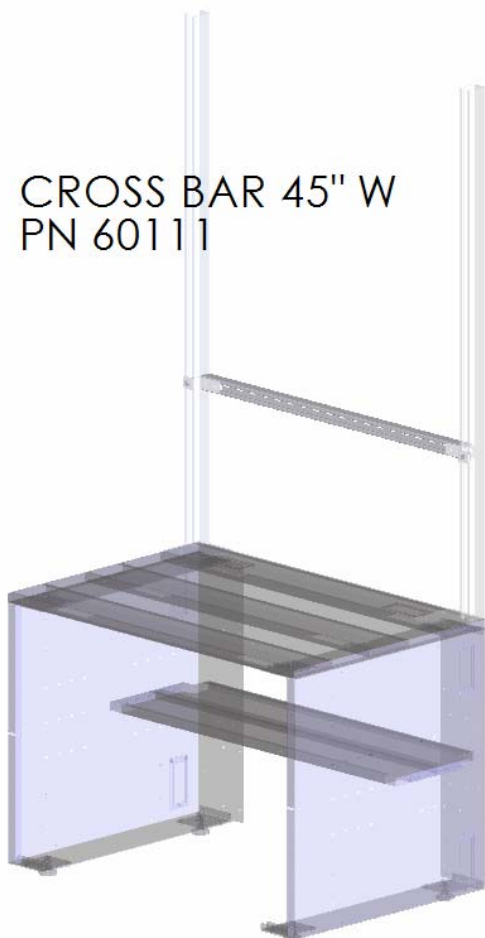




Cross bar for Shelving Systems to support Monitor mounts, Printer mounts or outlet strips
45" W PN 60111

Cross bar for Shelving Systems to support Monitor mounts, Printer mounts or outlet strips
72" W PN 60112



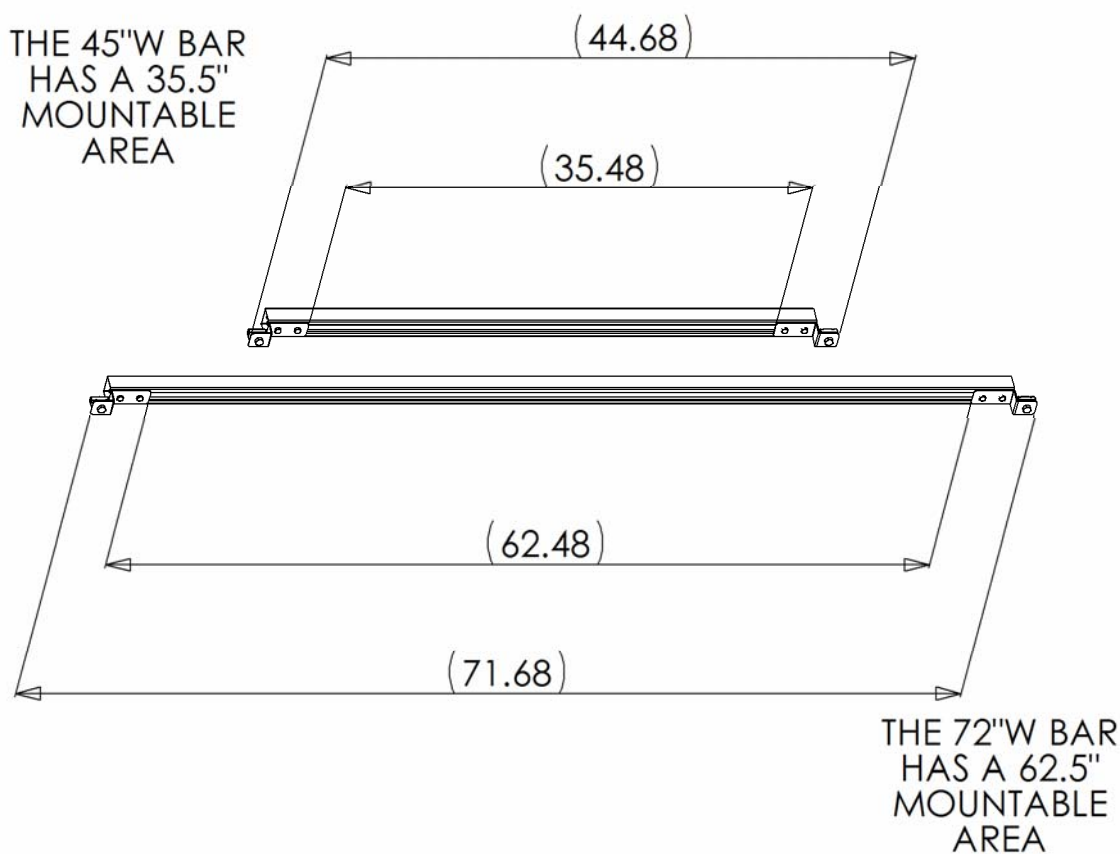
CROSS BAR 45" W
PN 60111



CROSS BAR 72" W
PN 60112

Product Specifications:

- Attaches horizontally anywhere between two Vertical Shelves above a Work Table, above a Enclosure or across any Shelving System.
- Supports multiple VESA monitor mounts PN 60102 or Printer mounts PN 60103
- Channel design uses special sliding nuts that allow multiple VESA or POS printer mounting brackets to be attached at any point along the entire length of the cross bar.
- Also supports an optional multiple outlet strip PN 30041 Made of heavy 12 gauge galvanized steel to resist corrosion.



Engineering Drawing Reference Notes

To view and manipulate 3D models of any assembly; visit www.edrawingsviewer.com and download the free eDrawings viewer software, then open the eDrawing format files (.EASM) found in our Engineering Drawings folders.

For more product dimensional specifications; download the Engineering Drawings folder for files in DWG, PDF and EASM formats on our website from the tool bar on the individual product pages or from our Product Resources page.

User Manual Reference

Refer to manual 10010704-UM for assembly and installation instructions

User manuals are available for download in PDF format on our website from the tool bar on the individual product pages or from our Product Resources page.