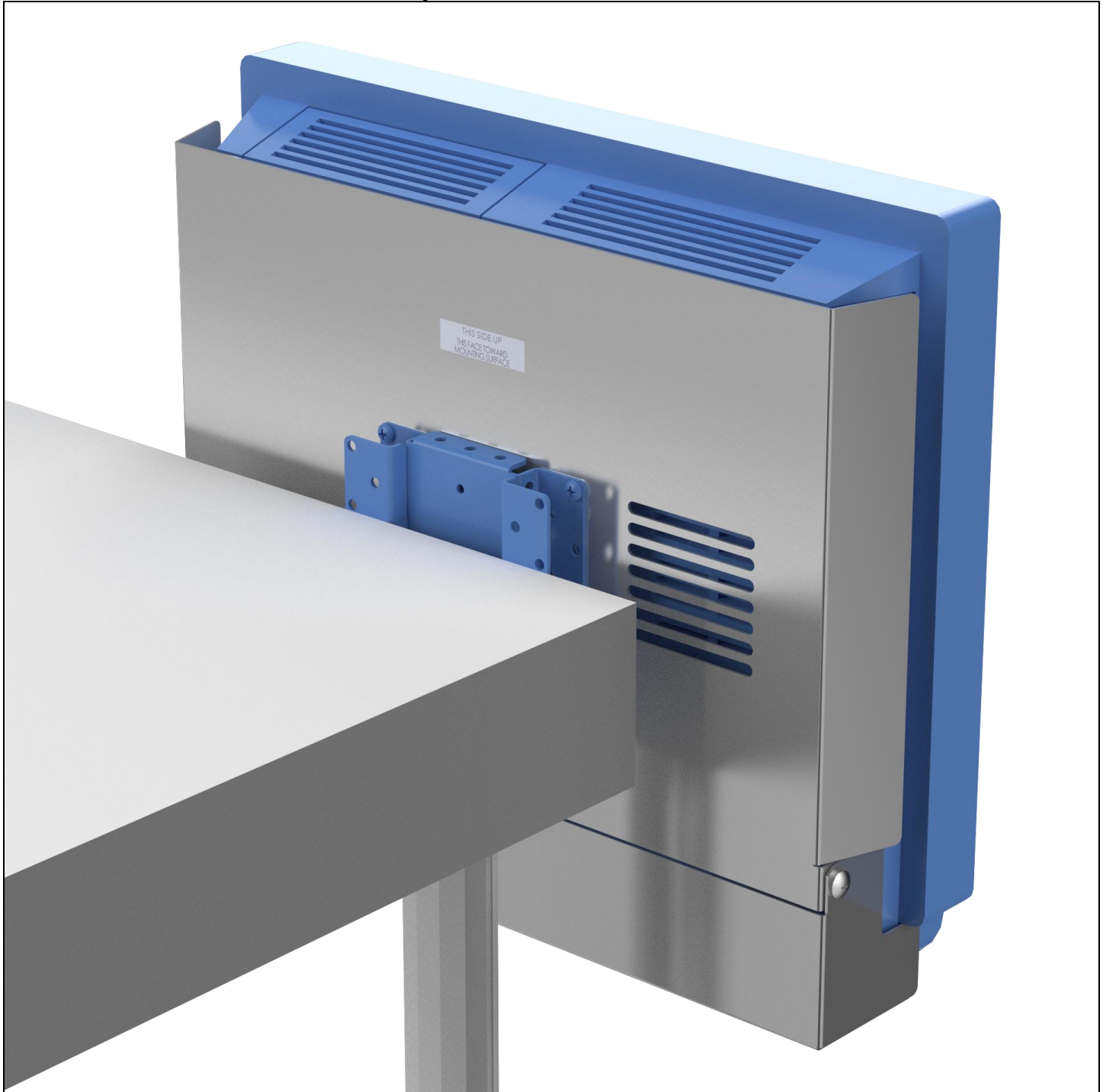




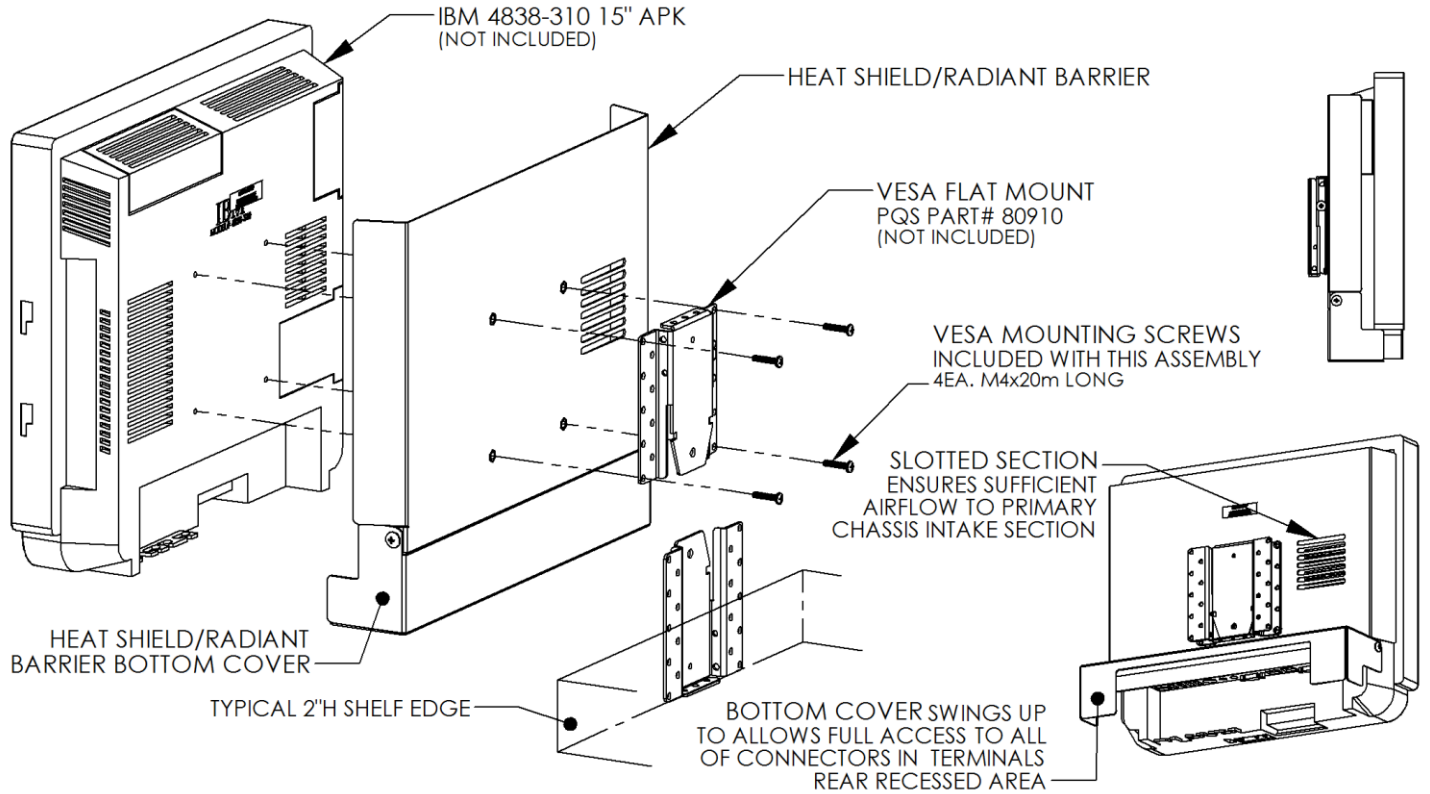
PRACTICAL QUALITY SYSTEMS
Fast Custom Manufacturing - Nationwide Installation Services

Heat Shield for IBM 4838-310 15" AnyPlace Kiosk PN 80940



Heat Shield for IBM 4838-310 AnyPlace Kiosk shown with terminal and PQS FLAT mount (PN 80910). Also available for IBM 17" and 19" AnyPlace Kiosk Terminals

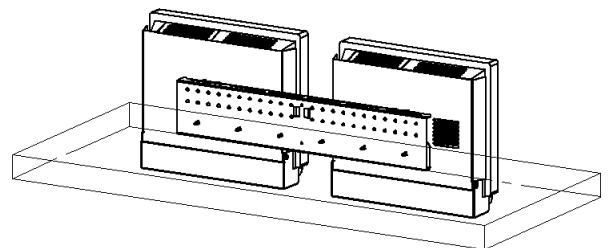
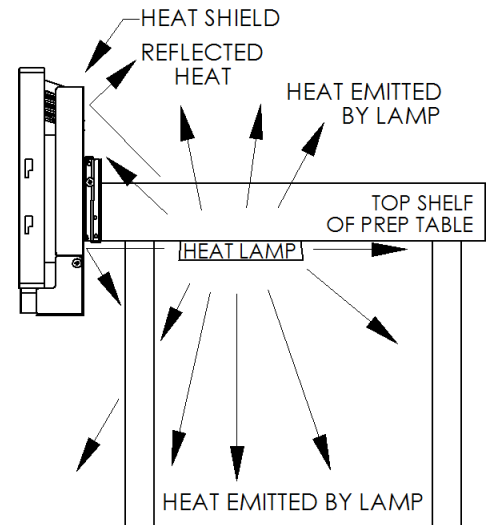
Heat Shield for IBM 4838-310 15" AnyPlace Kiosk PN 80940



PRODUCT SPECIFICATIONS

- The *Heat Shield* is made from brushed 18 gauge stainless steel that reflects radiant heat from heat lamps. This helps prevent overheating and unexpected shutdowns of the terminal.
- Installs between any 100mm VESA compatible mount and the APK terminal. Four M4x20mm screw provided.
- The compact design of *Heat Shield* allows retention of the installation versatility of the Anyplace Kiosk by not interfering with surrounding surfaces.
- 1/2" tall standoffs attached to the *Heat Shield* insure there is enough space between it and the back of terminal to maintain adequate air circulation.
- The *Heat Shield* includes cutout slots that align with important inlet vents so that they remain unobstructed. This allows adequate heat dissipation away from the Anyplace Kiosk
- Also available for IBM 17" and 19" Any Place Kiosk Terminals
- The Bottom Cover swings upward to allow access to the connector pocket on the rear of terminal.

Note: The *Heat Shield* shown installed with two AnyPlace Kiosk terminals and mounted on a *Multi-Screen Mount Bar* (PQS# 80911). *Heat Shield* installs to any PQS mounting system or other 100mm VESA compatible mount.

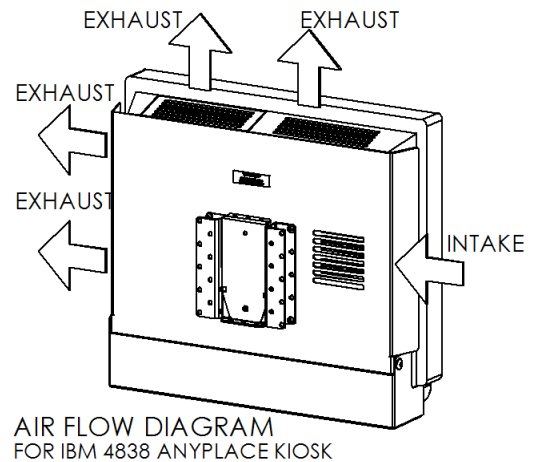


Heat Shield for IBM 4838-310 15" AnyPlace Kiosk PN 80940

IBM 4838-310 ANYPLACE KIOSK TEMPERATURE AND AIRFLOW GUIDELINES

When selecting your installation location please keep the following information in mind.

- Heat Dissipation for APK: A thermostatically controlled fan is used for cooling processor and HDD. Vents must not be blocked and external air temperature must be within limits defined below.
- The system BIOS monitors the cooling fan and will regulate its speed as needed to maintain adequate temperature ranges. Normal operating range on the CPU Core temperature sensor should be approximately 50C.



APK INTERNAL MONITORING SYSTEM UNIT TEMPERATURE IN BIOS

- Steps to view current status:
 - At boot, press or tap screen twice to enter SETUP
 - Select "PC Health Status"
 The information provided at this screen will include HDD, CPU and Ambient temperatures, core component voltages, and cooling fan speed.
- The CPU Core temperature is the most critical and will function normally at a temperature of up to 96C. If this temperature is exceeded then the system will automatically power off to prevent damage.
- General Environment Specifications:
 - IBM environmental classification: C
 - Max altitude: 3050 meters (10,000 ft.)
- *Heat Shields* can be custom made for any size terminal or screen; be it VESA compatible or not. If we don't currently have a *Heat Shield* to fit your screen, we can create one for you.
- All mounting systems are available with *Custom Fit* Pan and Tilt Heads or mounts for all non VESA compatible screens. Refer to the *Custom Fit Tilt Head* page on our website for a current list of all non VESA compatible tilt heads. If we don't currently have a tilt head to fit your screen, we can create one for you.

Heat Shield for IBM 4838-310 15" AnyPlace Kiosk PN 80940

PRODUCT ASSEMBLIES

- To order this assembly use part number 80940.
- Mounting solutions available to support all VESA and NON VESA compatible touch screens, terminals or flat panel monitors. For NON VESA compatible pan and tilt heads use the assembly part number for the desired PQS product and add the part number suffix found on the *Custom Fit Pan and Tilt Heads* page on our website. The page can be found listed under the "Other Products" section.
- If the website doesn't show a suffix that represents your compatible pan and tilt head then send us a sample of your screen and we'll create a *Custom Fit* solution for you.

MOUNTING OPTIONS: 35LB CLASS MOUNTING PRODUCTS:

- **PQS** offers several mounting options for medium duty applications. All mounts available with 100mm VESA patterns.
- *Medium Duty* mounting products can support up to 35lbs.

