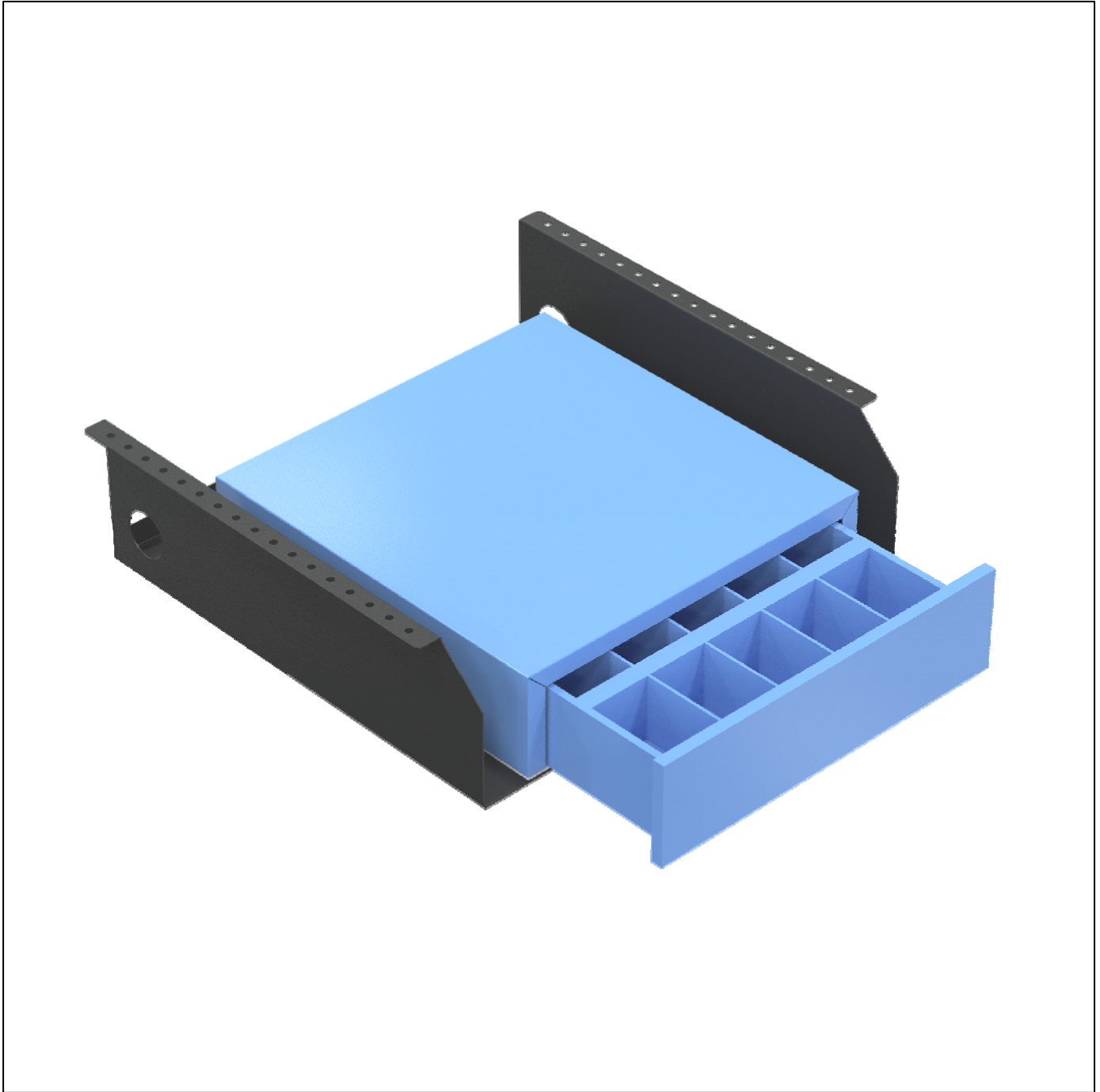




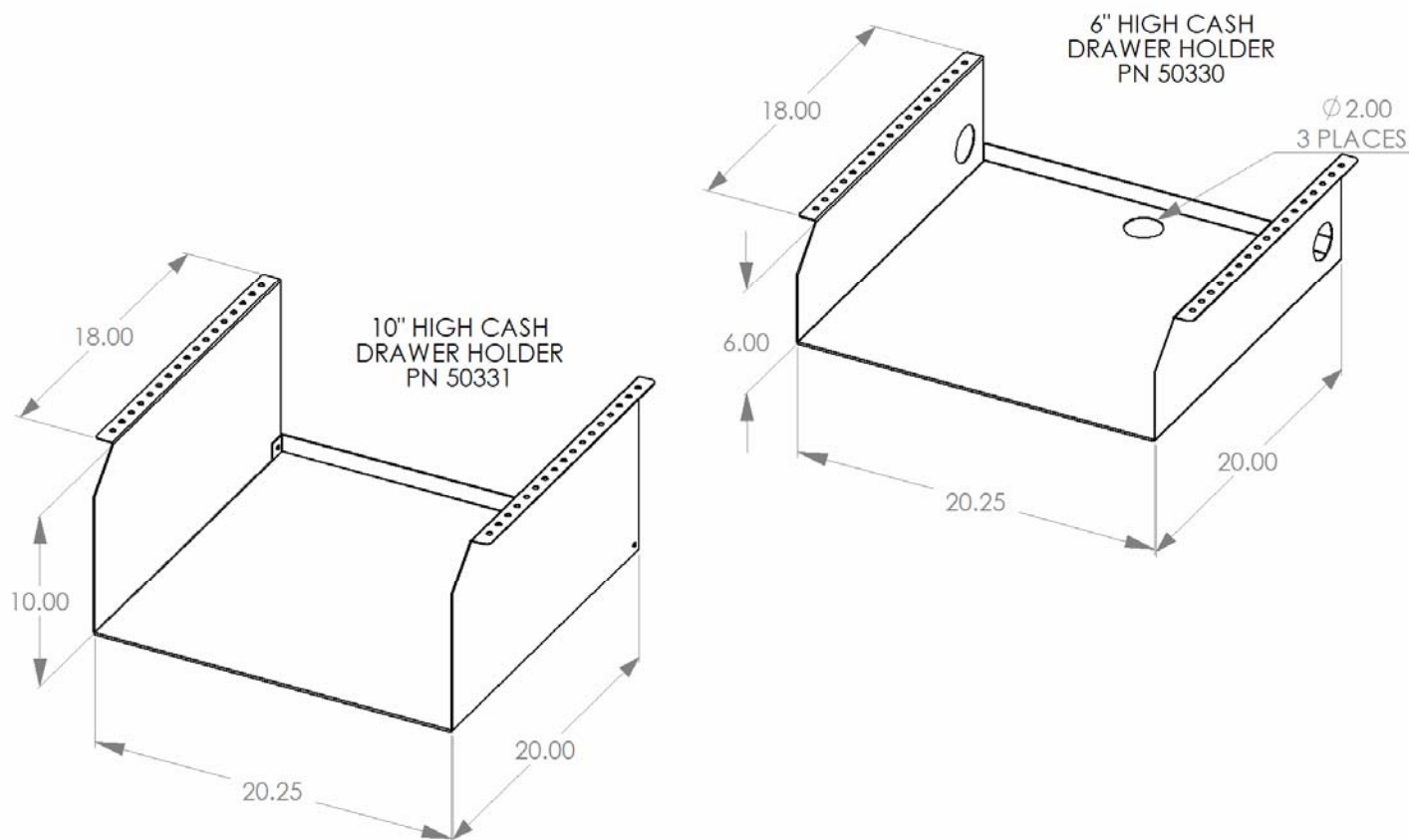
PRACTICAL QUALITY SYSTEMS
Fast Custom Manufacturing - Nationwide Installation Services

Cash Drawer Holders PN 50330 - 50331



NOTE: 50330 Cash Drawer Holder shown with cash drawer.

Cash Drawer Holders PN 50330 - 50331



PRODUCT SPECIFICATIONS

- 50330 CASH DRAWER HOLDER 6.0
- Supports cash drawers up to 6"H x 20"W x 20"L
- 50331 CASH DRAWER HOLDER 10.0
- Supports two cash drawers up to 10"H x 20"W x 20"L
- Designed to attach to the underside of any counter top or table.
- Multiple mounting holes are pre punched along the entire length of both sides.
- Large cable path openings are provided in the rear of the bottom and side sections. Cabling can also be routed over the entire open rear section.
- The front of the bottom section is folder under to create a smooth, rounded edge.
- Made of CRS steel with a black mat power coat finish to resist corrosion