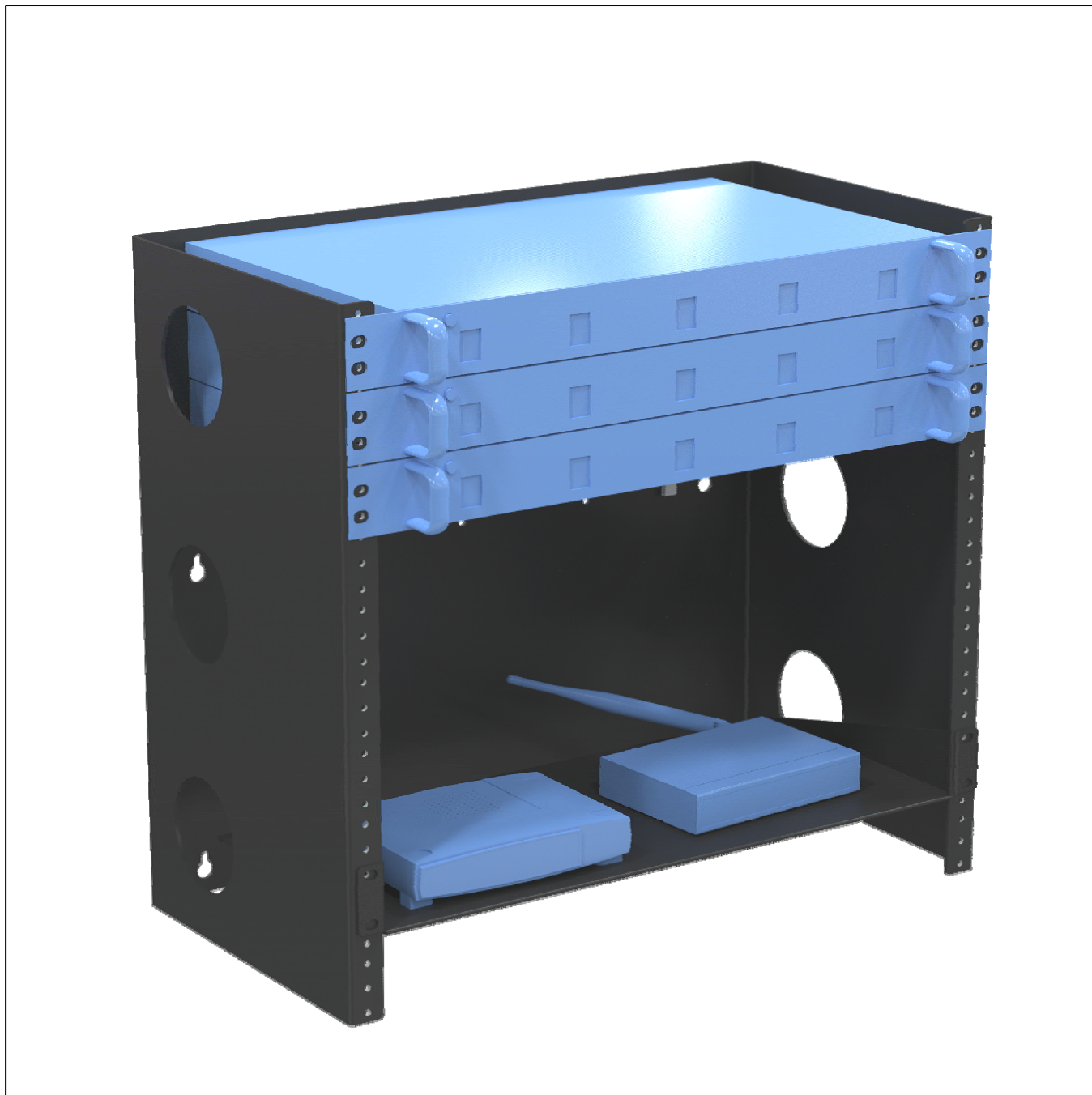


PQS

PRACTICAL QUALITY SYSTEMS

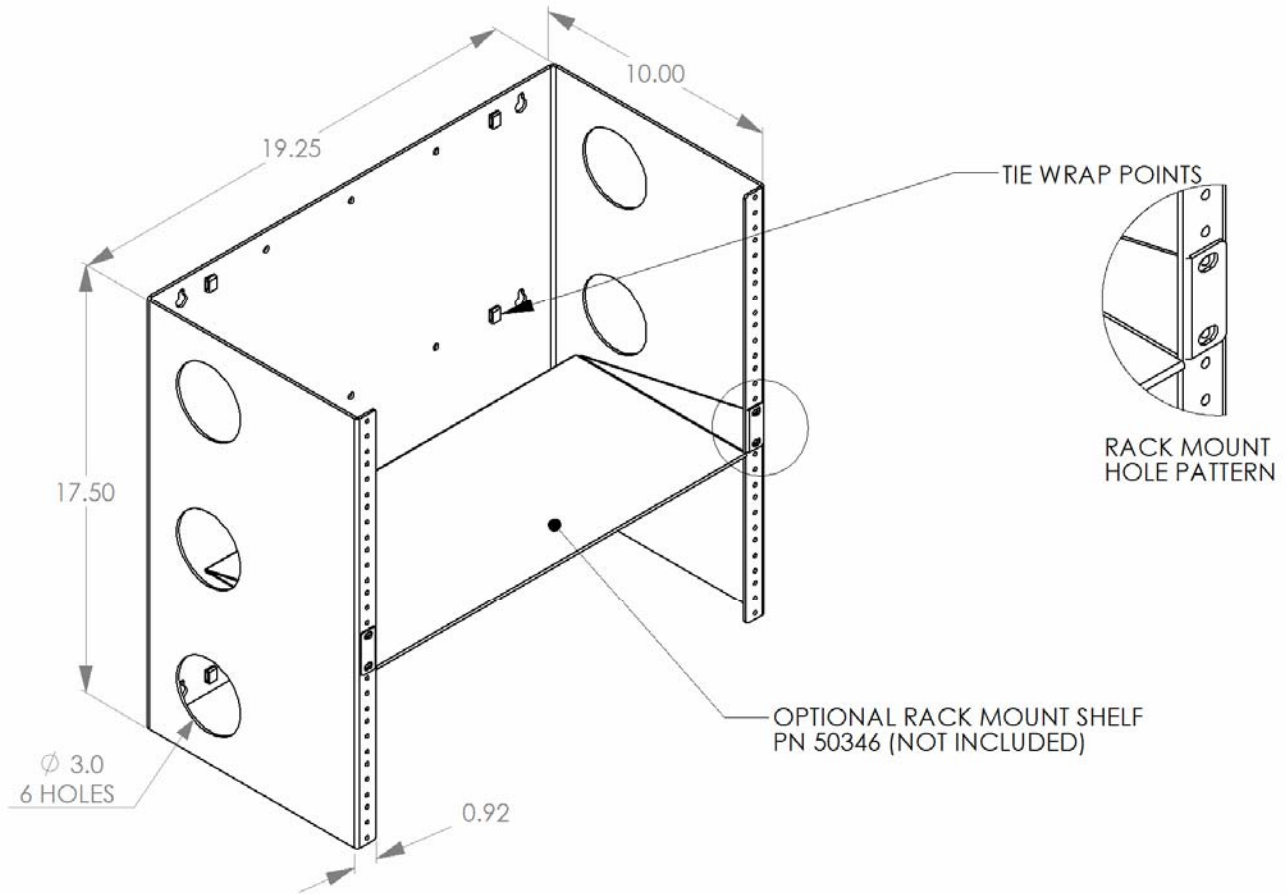
Fast Custom Manufacturing - Nationwide Installation Services

19 in Wall Mount Rack – 10U PN 50344



NOTE: 50344 shown with server equipment and optional Rack Mount Shelf (PN 50346).

19 in Wall Mount Rack – 10U PN 50344



NOTE: 50344 shown with server equipment and optional Rack Mount Shelf (PN 50346).

PRODUCT SPECIFICATIONS

- Rack is designed to hold up to 10 U of rack mount equipment.
- Surface finished with a black powder coat to resist corrosion.
- Large holes in the sides of the rack allow for the easy routing of cable at any height.
- Tie points along the rear back panel allow for the use of tie wraps to secure cables in place.
- Optional part #50346 Rack mount shelf is available to make a space for storing non – rack mount equipment.