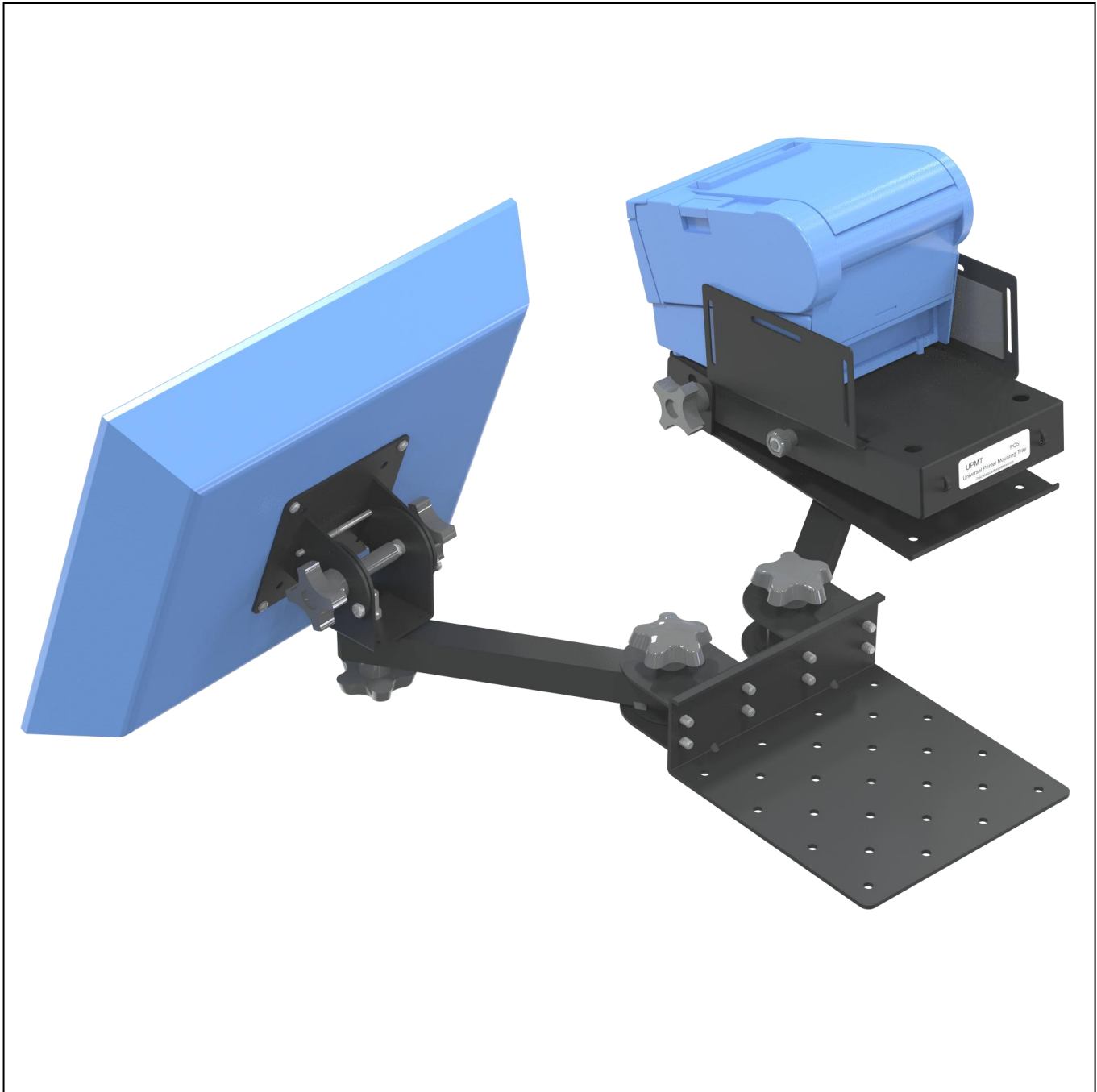


PQS

PRACTICAL QUALITY SYSTEMS
Fast Custom Manufacturing - Nationwide Installation Services

Under-counter mount w/2- 8" arms, a screen pan and tilt head and a universal printer mount tray PN 80204



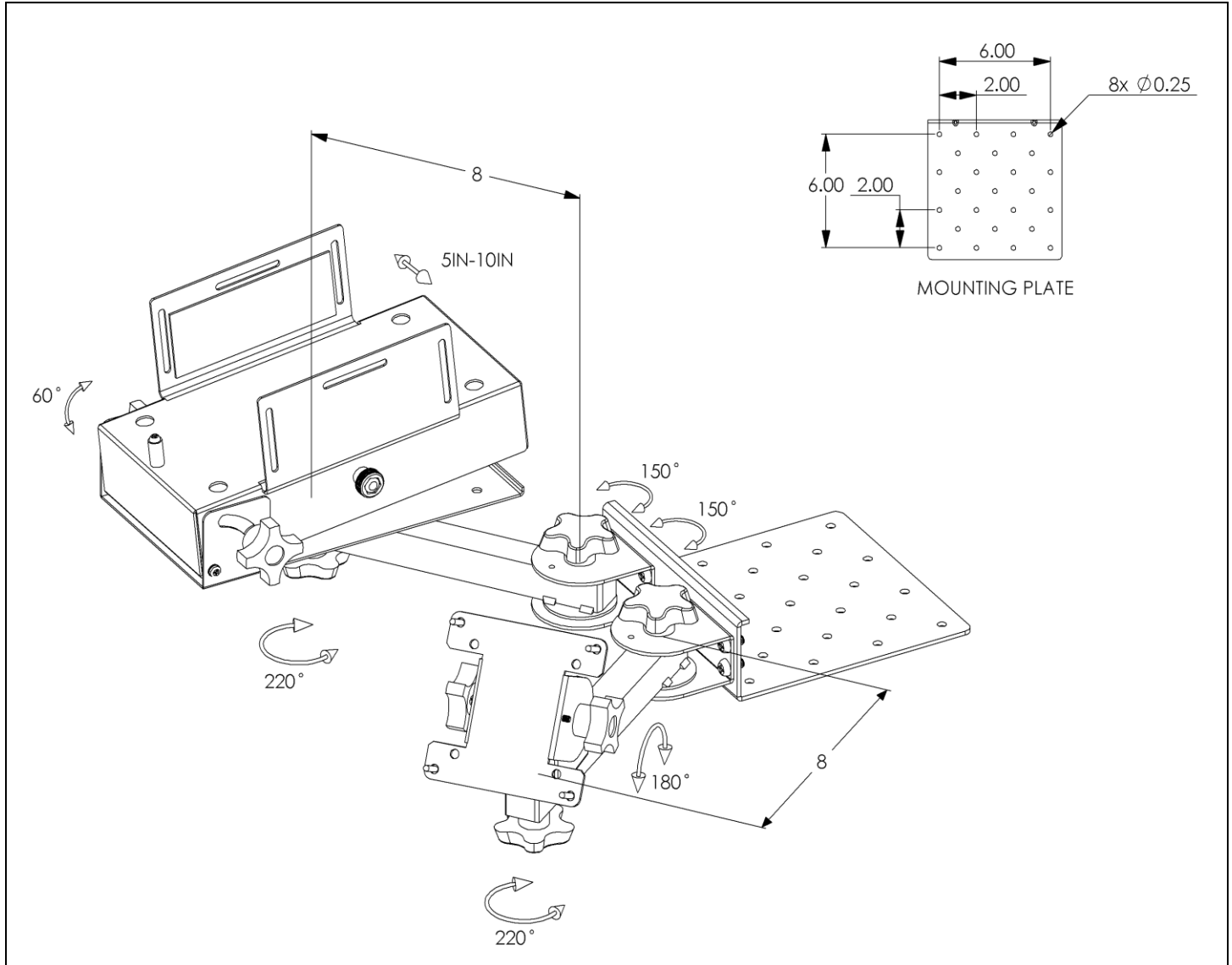
NOTE: 80204 with a 75/100mm VESA Pan and Tilt head shown and *Universal Printer Mounting Tray*. All mounting systems are also available for NON VESA compatible screens.

info@practicalqualitysystems.com WWW.PRACTICALQUALITYSYSTEMS.COM

(818) 993-1022

ALL PRODUCTS PATENT PENDING

Under-counter mount w/2- 8" arms, a screen pan and tilt head and a universal printer mount tray PN 80204



NOTE: 80204 with a 75/100mm VESA Pan and Tilt head shown and *Universal Printer Mounting Tray*. All assemblies with NON VESA compatible pan and tilt heads will appear differently.

PRODUCT SPECIFICATIONS

- Available with pan and tilt heads to support all VESA and NON VESA compatible touch screens, terminals or flat panel monitors. Refer to the *Custom Fit Pan and Tilt Heads* page on our website found in the *Other Products* section for the most current list of options. If we don't have a compatible pan and tilt head send us a sample of your screen and we'll create a *Custom Fit* solution for you.
- Attaches underneath a counter top, a shelf or any other flat horizontal surface.
- Pan and tilt head adjusts without tools to lock the screen at any position, side to side, or up and down.

Under-counter mount w/2- 8" arms, a screen pan and tilt head and a universal printer mount tray PN 80204

- The position of the pan and tilt head can also be locked more securely for the long term by tightening locking screws on the pan and tilt head with a Phillips screw driver.
- The sides of the *Universal Printer Mounting Tray* adjust without tools to grip the sides of any printer from 5" to 9 1/2" wide.
- The *Universal Printer Mounting Tray* can be tilted forward, rotated and locked into position without tools.
- The positions of the 8" arms adjust without tools to permit the *Universal Printer Mounting Tray* and pan and tilt head to travel horizontally, allowing a range of positioning options.
- The position of the arm can also be locked more securely for the long term by tightening the arm locking screw with a Phillips screw driver.
- The *Universal Printer Mounting Tray* also makes a great telephone mount.
- Most of our modular mounting systems can be easily reconfigured in the field for a different application by either adding or removing a few parts to create a support solution for any mounting location.
- Each arm supports up to 15 lbs.
- For assembly instructions see the *User Manual* which can be downloaded from the *Product Resources* page or from the top of the info page on our website.
- To order this assembly use part number 80204.
- To order this assembly with a *Custom Fit*, NON VESA compatible screen tilt head; use part number 80204 and add the part number suffix found on the *Custom Fit Pan and Tilt Heads* page on our website. The page can be found listed under the *Other Products* section. If the website doesn't show a suffix that represents a type that is compatible with your screen pan and tilt head send us a sample of your screen and we'll create a *Custom Fit* solution for you.

Under-counter mount w/2- 8" arms, a screen pan and tilt head and a universal printer mount tray PN 80204

MOUNTING OPTIONS:

- All of our screen pan tilt heads as well as our *Universal Printer & Keyboard Mounting Tray* assemblies can be used with any of the following mounting systems.

