

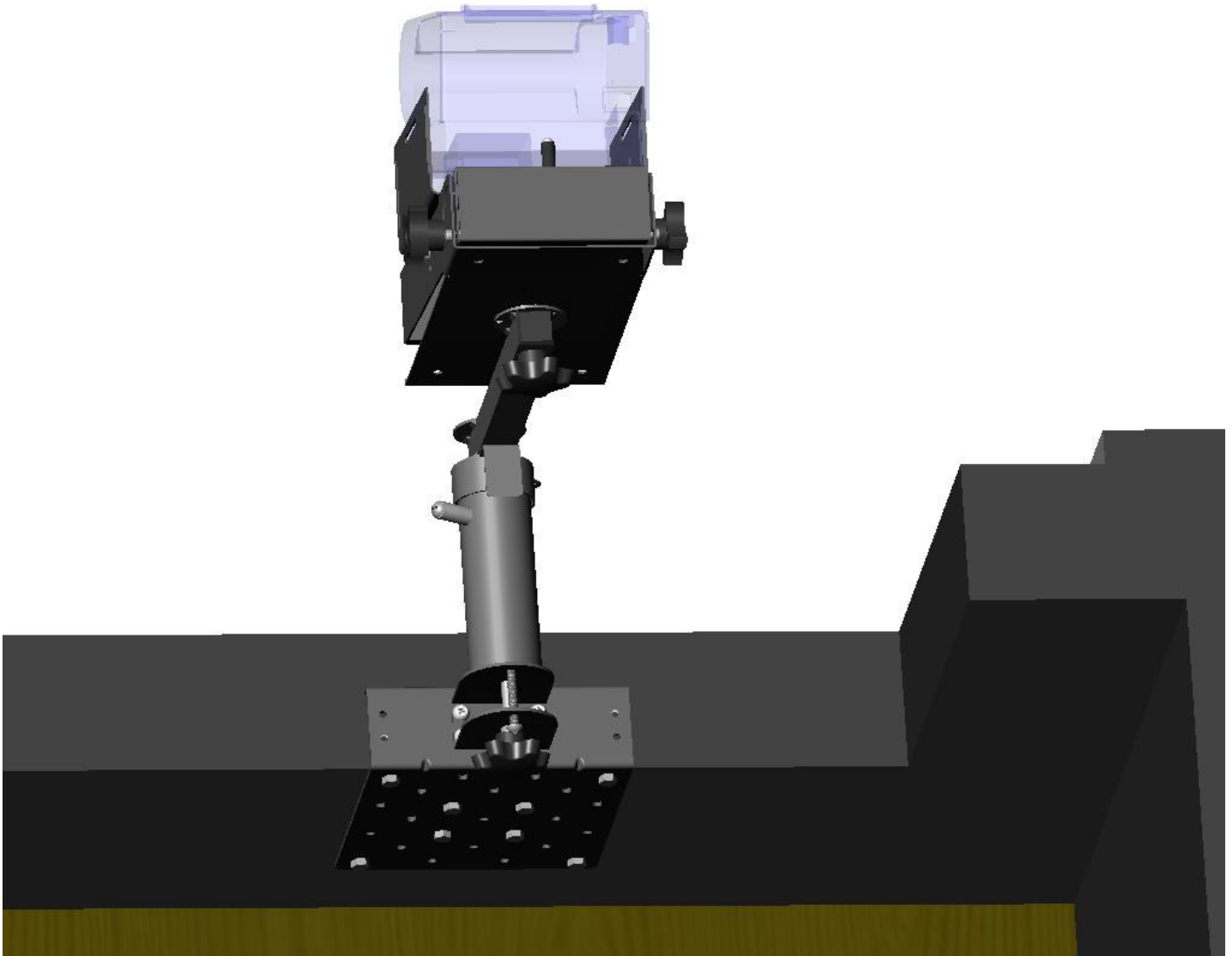
PQS

PRACTICAL QUALITY SYSTEMS

Fast Custom Manufacturing - Nationwide Installation Services

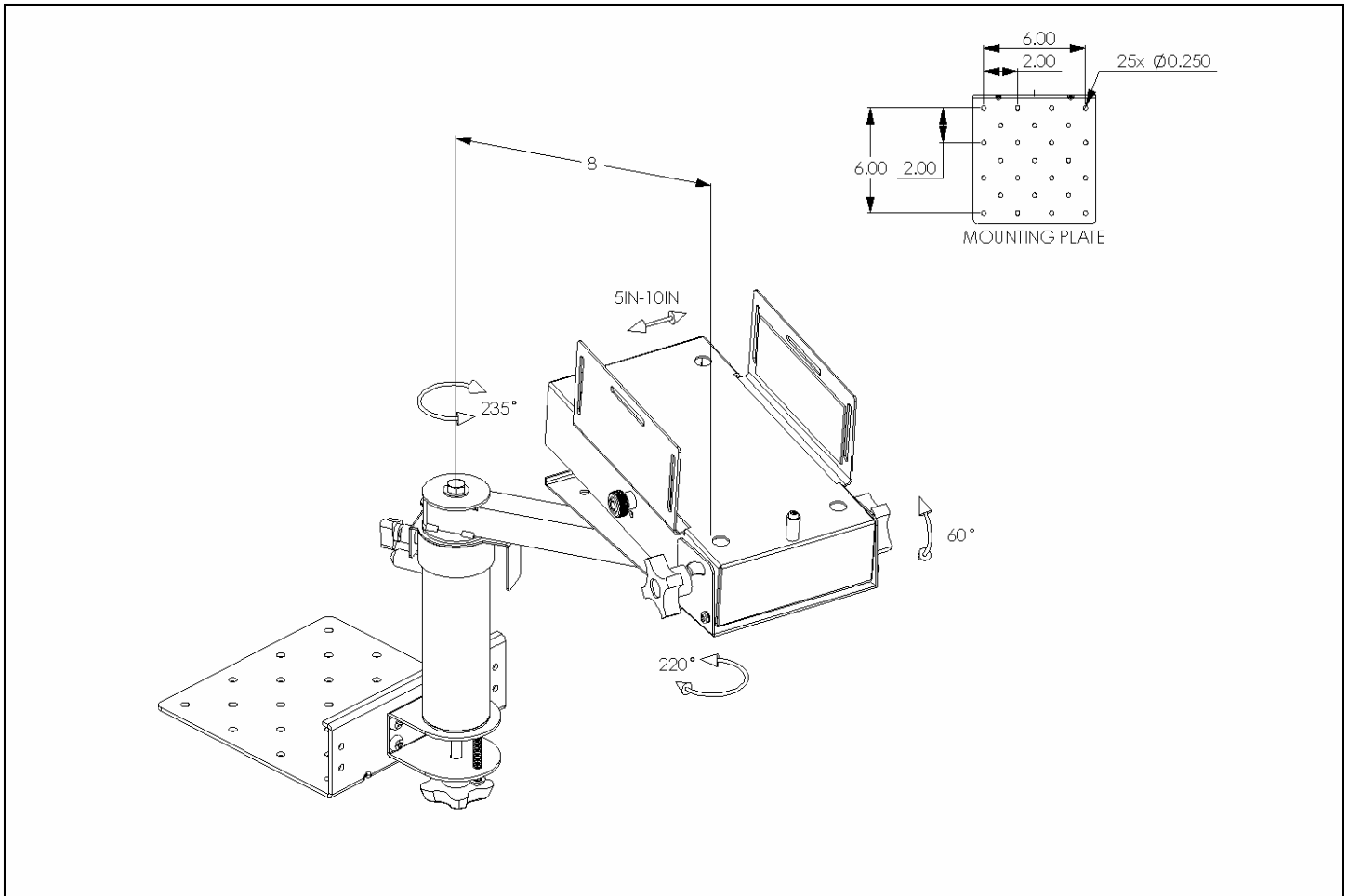
UVHM - UC- R- UPMT

A one position under counter mounting plate with one 3" or 6" riser, an 8" arm and a universal printer mounting tray



UVHM-UC-R-UPMT

A one position under counter mounting plate with one 3" or 6" riser, an 8" arm and a universal printer mounting tray



PRODUCT ASSEMBLIES

- UVHM-UC-R6-UPMT: PN 80244
A single position under counter mounting plate with one 6" riser, one 8" arm and a universal printer mounting tray
- UVHM-UC-R3-UPMT: PN 80245
A single position under counter mounting plate with one 3" riser, one 8" arm and a universal printer mounting tray

UVHM - UC- R- UPMT

A one position under counter mounting plate with one 3" or 6" riser, an 8" arm and a universal printer mounting tray

PRODUCT SPECIFICATIONS

- Attaches underneath of a counter top, a shelf or any other flat horizontal surface.
- The sides of the printer tray adjust without tools to grip the sides of any printer from 5" to 9 1/2" wide.
- The printer tray can be tilted forward, rotated and locked into position without tools.
- In some cases it is recommended to install a screen on a 6 inch riser and printer on a 3 inch riser.
- The 3" or 6" risers elevate the 8" arms above the mounting surface and allow the printer to travel horizontally and permit a wide range of positioning locations.
- The arms can rotate freely or be locked in any position horizontally without tools at the riser cap.
- Integral stop details on the riser and arm can be located at any setting to prevent cable damage when the arm supporting the printer is rotated around the riser.
- The tilt head can be easily removed from the arm and attached directly to the top of the riser.
- The riser cap incorporates a cable tie point to secure the cables so that they will travel safely as the arm is rotated.
- The UPMT also makes a great telephone mount.
- This assembly is part of the UVHM system which includes many components that can be mixed and matched to create a support solution for any mounting location. Most of the UVHM assemblies can be easily reconfigured in the field for a different application by either adding or deleting a few parts.
- Please specify either 3" or 6" riser(s) when ordering.
- Each arm supports up to 15 lbs.