

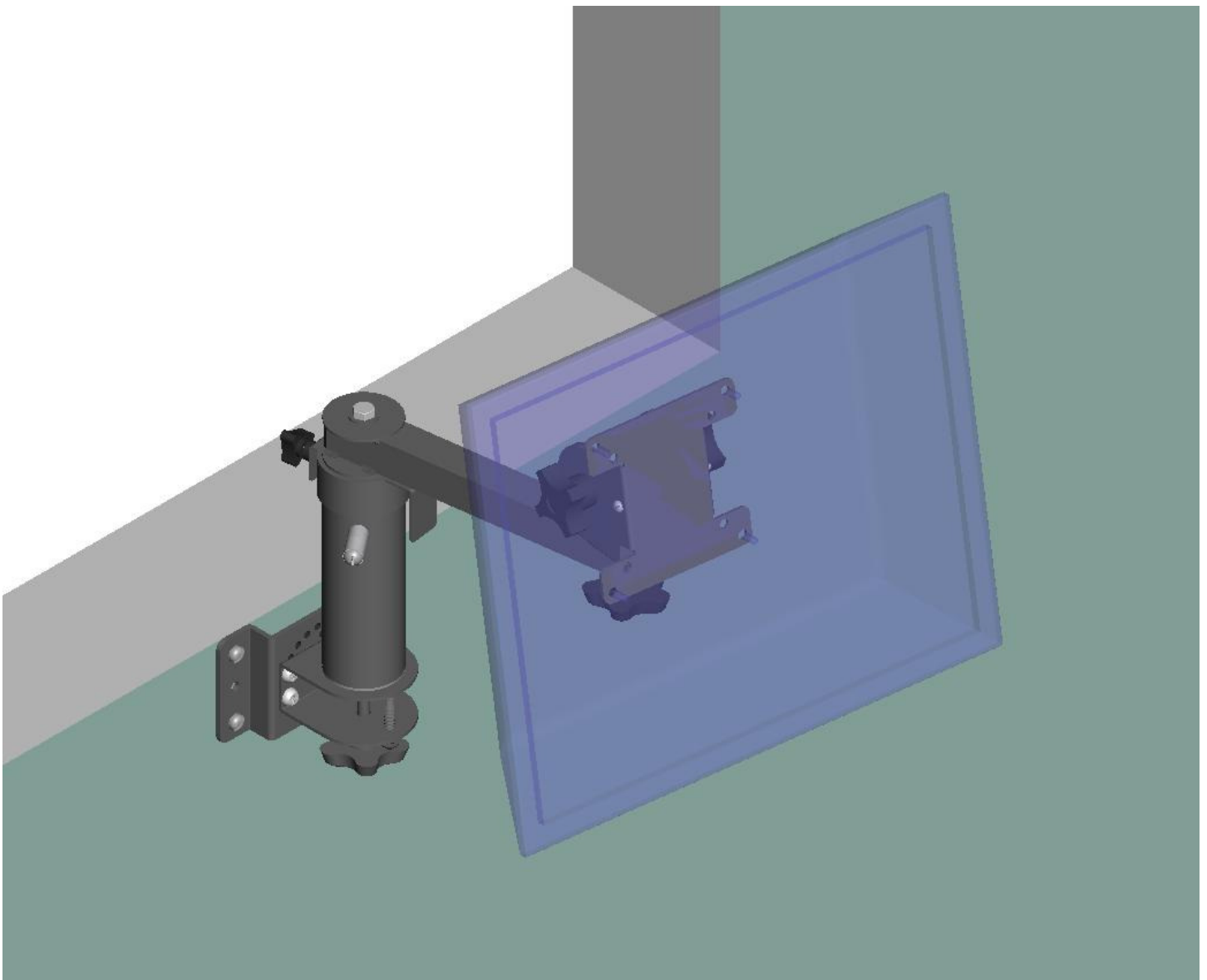
PQS

PRACTICAL QUALITY SYSTEMS

Fast Custom Manufacturing - Nationwide Installation Services

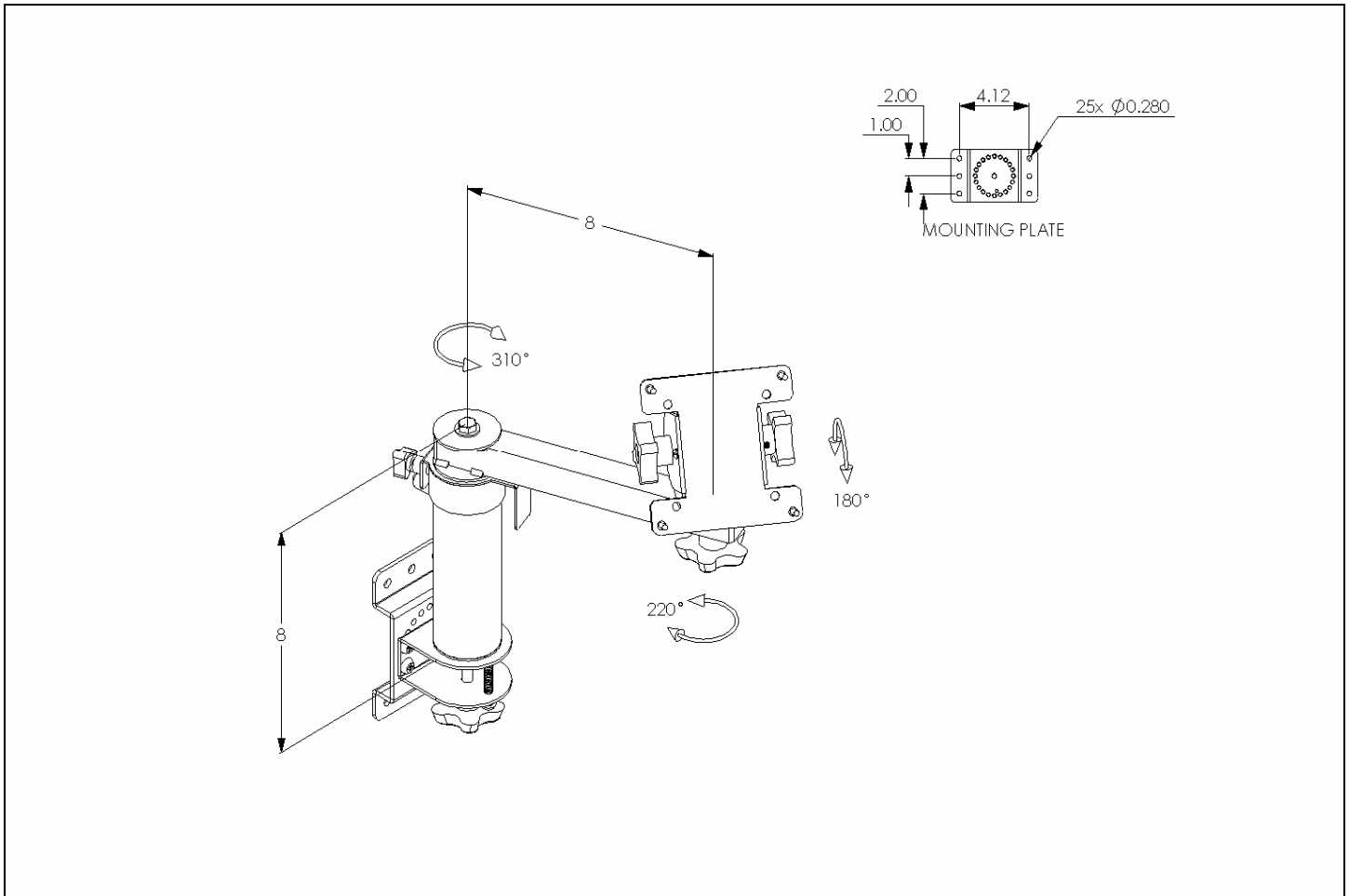
UVHM-SM-VESA

A single position side mounting plate with a 3" or 6" riser, one 8" arm and a VESA tilt head



UVHM-SM-VESA

A single position side mounting plate with a 3" or 6" riser, one 8" arm and a VESA tilt head



PRODUCT ASSEMBLIES

- UVHM-SM-R6-VESA: PN 80020
A single position side mounting plate with a 6" riser, an 8" arm and a VESA tilt head
- UVHM-SM-R3-VESA: PN 80021
A single position side mounting plate with a 3" riser, an 8" arm and a VESA tilt head

UVHM-SM-VESA

A single position side mounting plate with a 3” or 6” riser, one 8” arm and a VESA tilt head

PRODUCT SPECIFICATIONS

- Supports a Micros WS5 terminal or any 75 or 100 mm VESA compatible touch screen, terminal or flat panel monitor.
- The assembly supports touch screens, terminals or flat panel monitors up to 20” (all images are shown with a 17” screen).
- Attaches to a wall or any other flat vertical surface.
- VESA tilt head adjusts without tools to lock the screen at any position, side to side, or up and down.
- The position of the tilt head can also be locked more securely for the long term by tightening the tilt head locking screws with a Phillips screw driver.
- In some cases it is recommended to install a screen on a 6 inch riser and printer on a 3 inch riser.
- A 3”or 6” riser elevates the 8” arm above the mounting surface and permits the tilt head to travel horizontally to allow a wide range of screen locations.
- Add an optional P3 plate, a riser, and an arm with a UPMT to support a printer right next to the terminal.
- Integral stop details on the riser and arm can be located at any setting to prevent cable damage when the arm supporting the screen or the printer is rotated around the riser.
- The arms can rotate freely or be locked in any position horizontally without tools at the riser cap.
- The tilt head includes integral stop details that limit a full rotation to the right or left to prevent cable damage.
- The tilt head or printer can be easily removed from the arm and attached directly to the top of the riser.
- The riser cap incorporates a cable tie point to secure the cables so that they will travel safely as the arm is rotated.
- This assembly is part of the UVHM system which includes many components that can be mixed and matched to create a support solution for any mounting location. Most of the UVHM assemblies can be easily reconfigured in the field for a different application by either adding or deleting a few parts.
- Please specify either 3" or 6" riser(s) when ordering.
- Each arm supports up to 15 lbs.