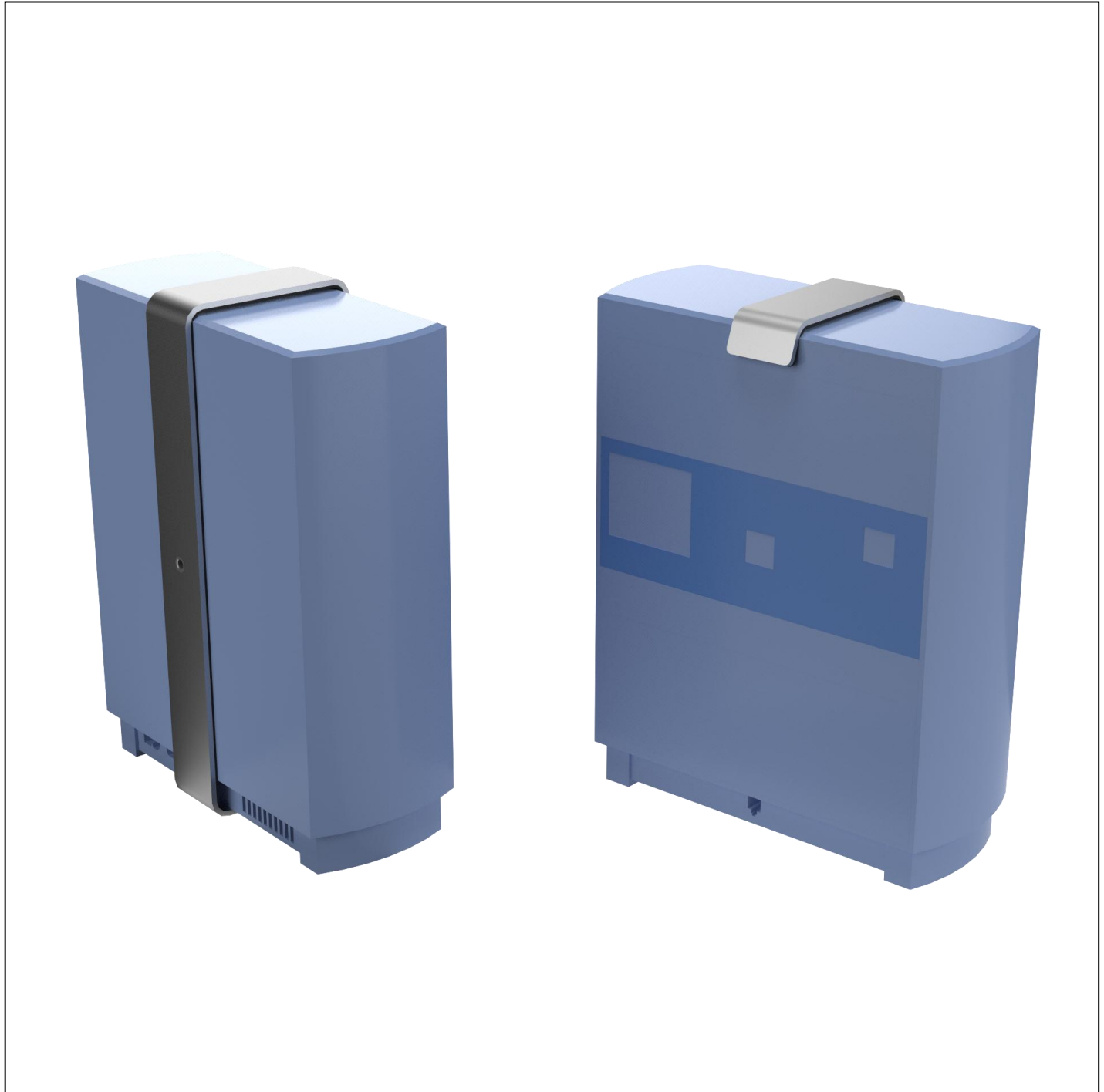


PQS

PRACTICAL QUALITY SYSTEMS
Fast Custom Manufacturing - Nationwide Installation Services

Next Engine Scanner Mounting Bracket PN 80450



80450 shown installed to a NEXTGENERATION 3D Scanner.

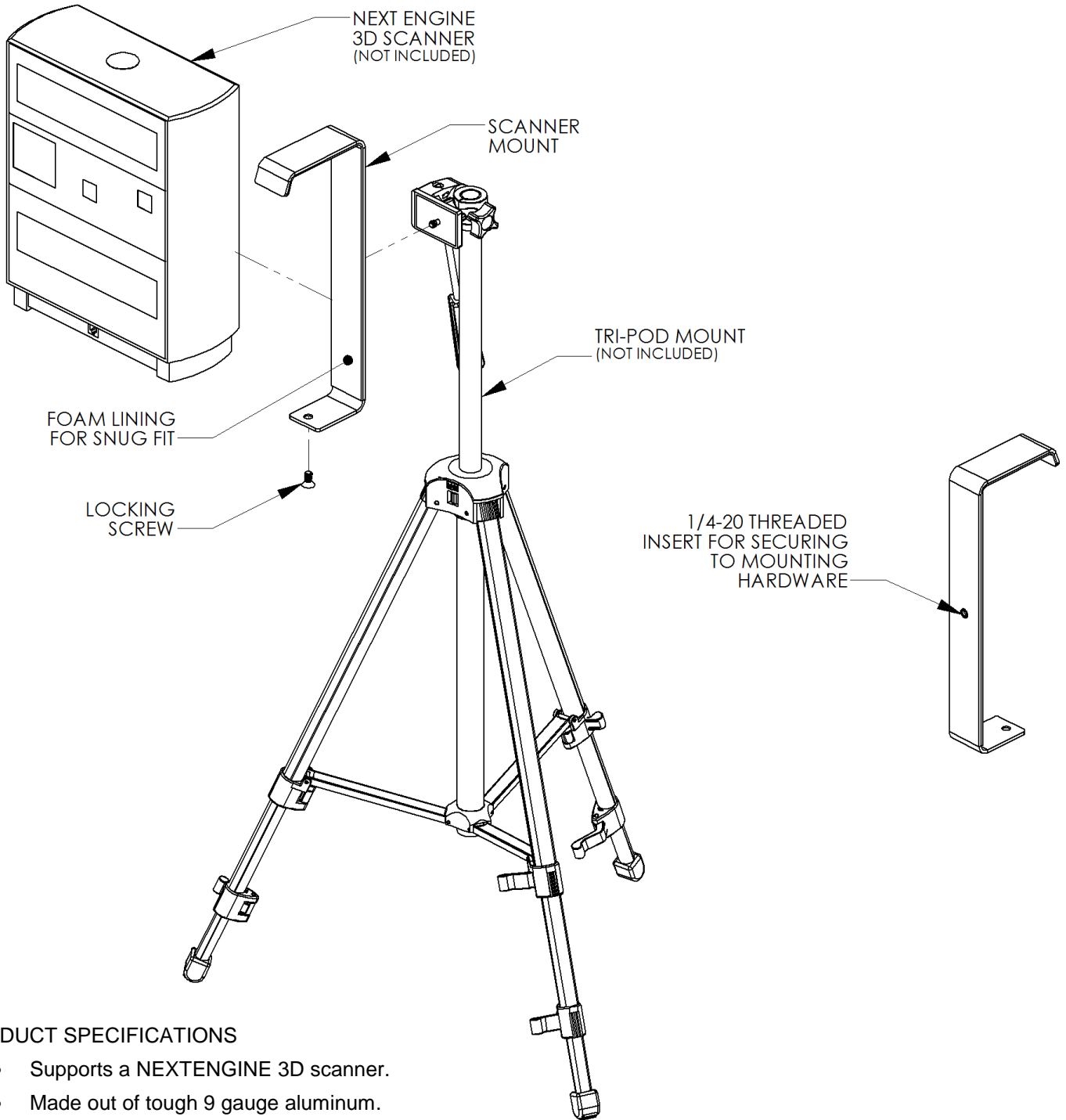
info@practicalqualitysystems.com

WWW.PRACTICALQUALITYSYSTEMS.COM

(818) 993-1022

ALL PRODUCTS PATENT PENDING

Next Engine Scanner Mounting Bracket PN 80450



PRODUCT SPECIFICATIONS

- Supports a NEXTENGINE 3D scanner.
- Made out of tough 9 gauge aluminum.
- Single locking screw inserts through the bracket and threads into the scanners underside for simple installation
- Foam lining creates a snug fit and eliminates any unwanted play between the bracket and scanner.
- ¼-20 threaded insert located at the rear of the bracket for attaching to other mounting hardware.
- For assembly instructions see the *User Manual* which can be downloaded from the *Product Resources* page on our website.
- To order this assembly use part number 80450. This product can be found listed under the *Other Products* section of our website.

Next Engine Scanner Mounting Bracket PN 80450

MOUNTING OPTIONS:

- This assembly is one of our modular mounting systems. Most of our modular mounting system assemblies can be easily reconfigured in the field for a different application by either adding or removing a few parts. Or we can create a customized solution for our products to serve your installation. All of our screen pan and tilt heads, including our *Custom Fit* products, can be used with any of the following mounting systems.
- If the website doesn't show an assembly for mounting your product, send us a sample of your product and we'll create a *Custom Fit* solution for you.

