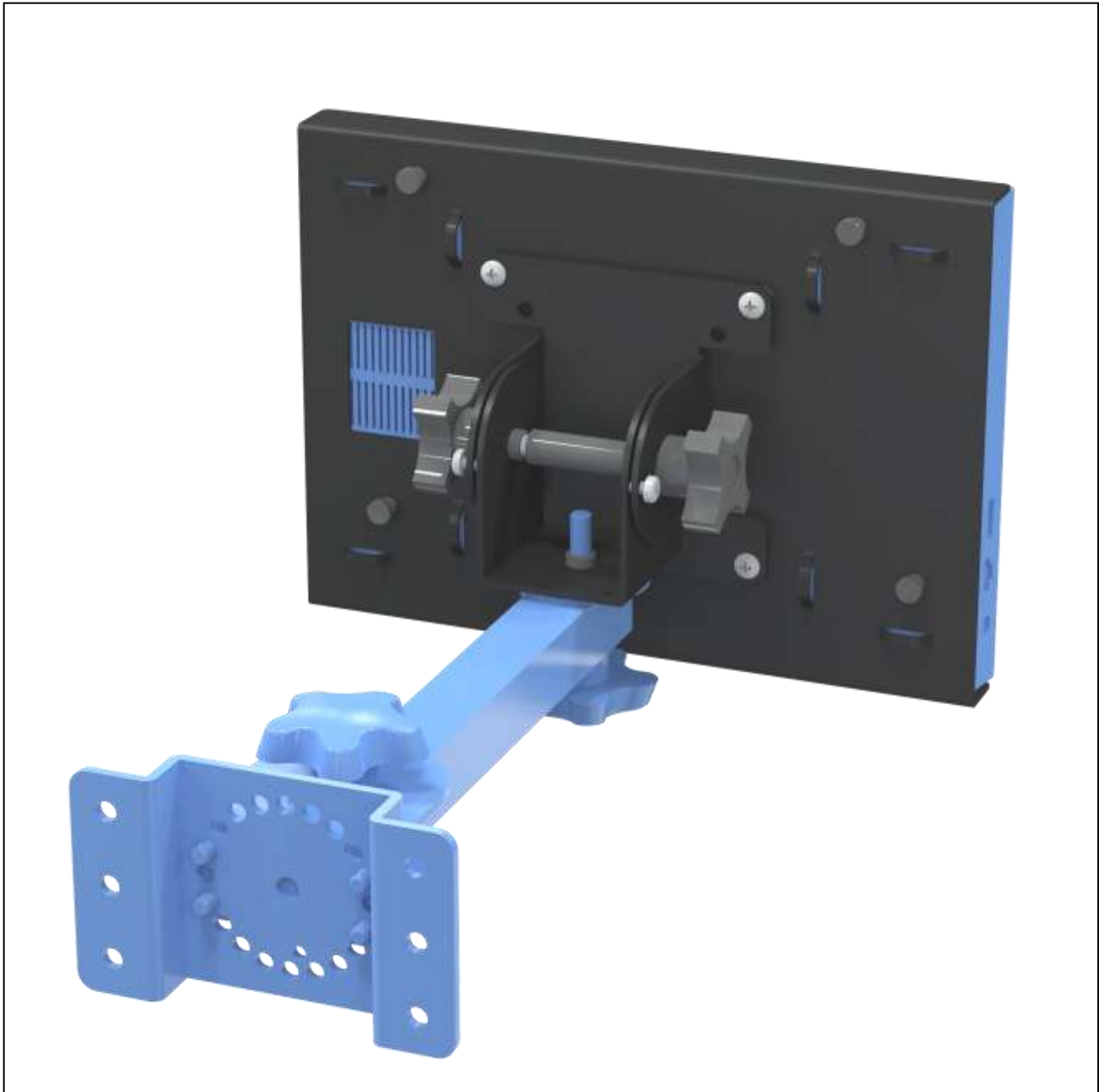




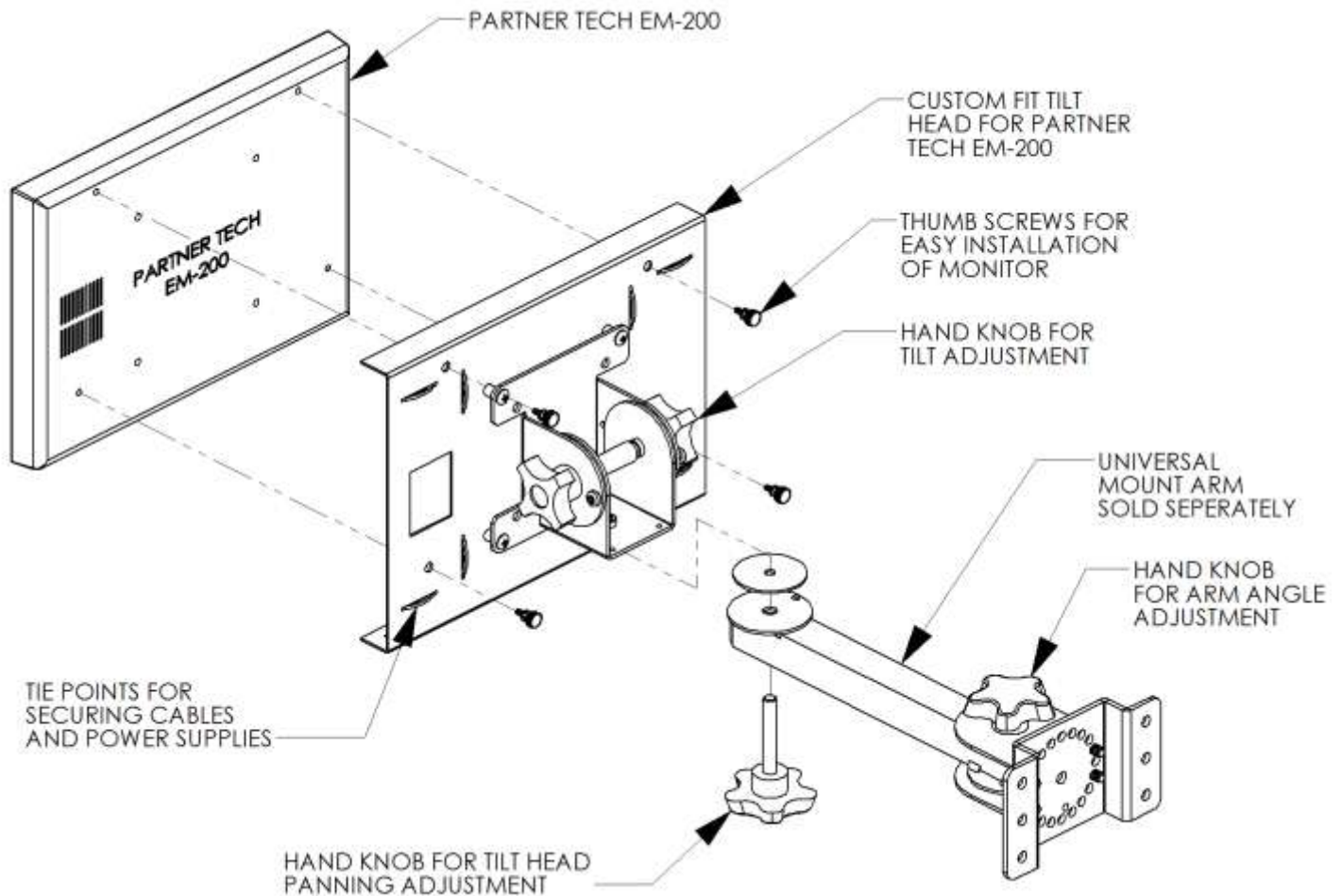
PRACTICAL QUALITY SYSTEMS  
*Fast Custom Manufacturing - Nationwide Installation Services*

**Custom Fit Tilt Head for Partner Tech EM-200 PN 80880-401**



Note: 80880-401 *Custom Fit* screen pan and tilt head for Partner Tech EM-200 touch screen shown with wall mount (PN# 80000). All mounting systems also available for VESA and non VESA compatible screens.

## Custom Fit Tilt Head for Partner Tech EM-200 PN 80880-401

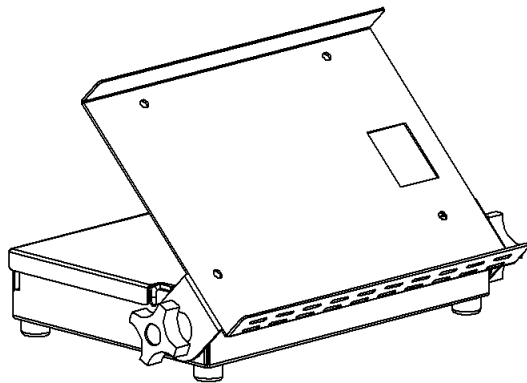


Note: 80880-400 *Custom Fit* screen pan and tilt head for Partner Tech EM-200 touch screen shown with wall mount (PN# 80000). All mounting systems are also available for VESA and non VESA compatible screens. All assemblies with non VESA compatible pan and tilt heads will appear differently.

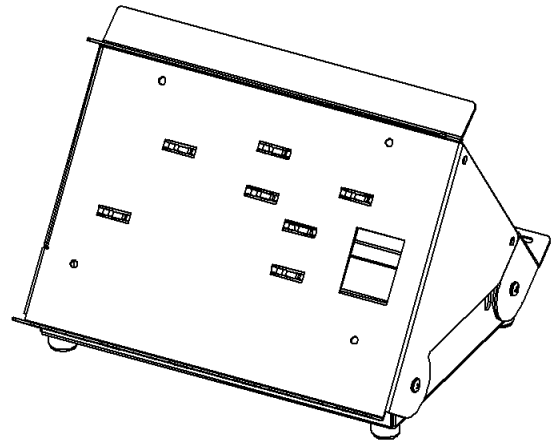
## PRODUCT SPECIFICATIONS

- Supports Partner Tech EM-200 terminal to integrate to any of our mounting products.
- Pan and tilt head adjusts without tools to lock the screen at any position, side to side or up and down.
- Position of the pan and tilt head can also be locked more securely for the long term by tightening the pan and tilt head locking screws with a Phillips screw driver.
- Tie points for securing cables and power supply are located at several locations on pan and tilt head.
- Thumbscrews secure terminal to pan and tilt head for easy installation and removal.
- Each arm supports up to 15 lbs.
- Most of our modular mounting systems can be easily reconfigured in the field for a different application by either adding or removing a few parts to create a support solution for any mounting location.

Custom Fit Tilt Head for Partner Tech EM-200 PN 80880-401



PN 80915



PN 80918

- Offered also in a single countertop mount (See PN 80915) and dual countertop mount (See PN 80918) configuration.
- For assembly instructions see the *User Manual* which can be downloaded from the *Product Resources* page on our website.
- For a list of all of our current non VESA compatible pan and tilt heads refer to the *Custom Fit Pan and Tilt Heads* page on our website. The page can be found listed under the “Other Products” section. If the website doesn’t show a suffix that represents a type that is compatible with your screen pan and tilt head; send us a sample of your screen and we’ll create a *Custom Fit* solution for you.
- To order this assembly use part number 80880-401.

MOUNTING OPTIONS

- All of our screen pan and tilt heads can be used with any of the following mounting systems.

