

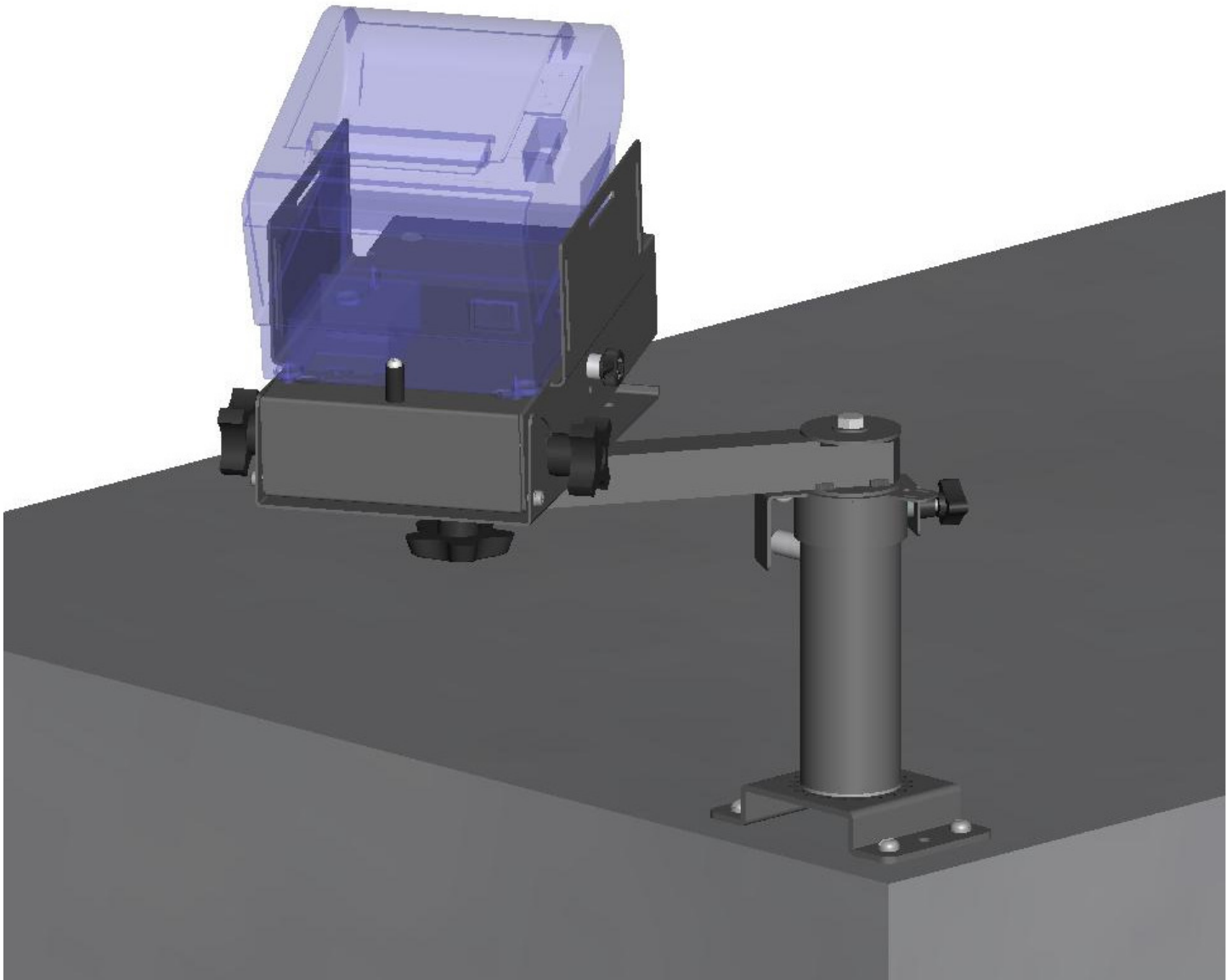
PQS

PRACTICAL QUALITY SYSTEMS

Fast Custom Manufacturing - Nationwide Installation Services

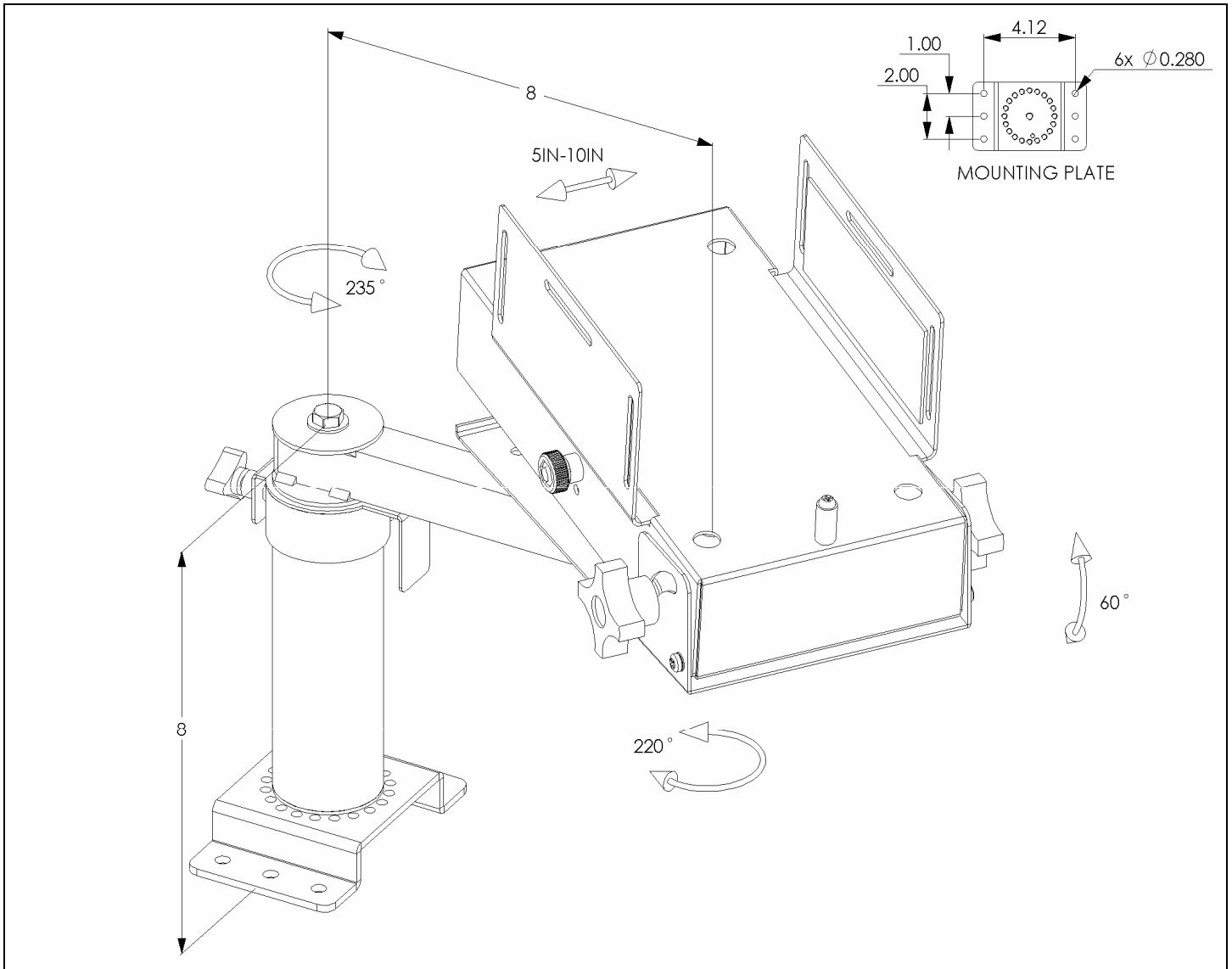
UVHM-FM-UPMT

A one position flat mounting plate with a 3" or 6" riser, an 8" arm and a universal printer mounting tray



UVHM-FM-UPMT

A one position flat mounting plate with a 3" or 6" riser, an 8" arm and a universal printer mounting tray



PRODUCT ASSEMBLIES

- UVHM-FM-R6-UPMT: PN 80084
A one position flat mounting plate with a 6" riser, an 8" arm and a universal printer mounting tray
- UVHM-FM-R3-UPMT: PN 80085
A one position flat mounting plate with a 3" riser, an 8" arm and a universal printer mounting tray

UVHM-FM-UPMT

A one position flat mounting plate with a 3” or 6” riser, an 8” arm and a universal printer mounting tray

PRODUCT SPECIFICATIONS

- Attaches to a counter top, shelf or any other flat horizontal surface.
- In some cases it is recommended to install a screen on a 6 inch riser and printer on a 3 inch riser.
- A 3” or 6” riser elevates the 8” arm above the mounting surface and allows the UPMT to travel horizontally to permit a wide range of printer locations.
- The sides of the printer tray adjust without tools to grip the sides of any printer from 5” to 9 ½” wide.
- The printer tray can be tilted forward, rotated and locked into position without tools.
- The position of the 8” arm adjusts without tools to permit the printer tray to travel horizontally allowing a range of positioning options.
- Integral stop details on the riser and arm can be located at any setting to prevent cable damage when the arm supporting the screen or the printer is rotated around the riser.
- The tilt head or printer can be easily removed from the arm and attached directly to the top of the riser.
- The riser cap incorporates a cable tie point to secure the cables so that they will travel safely as the arm is rotated.
- The arms can rotate freely or be locked in any position horizontally without tools at the riser cap.
- The tilt head includes integral stop details that limit a full rotation to the right or left to prevent cable damage.
- The UPMT also makes a great telephone mount.
- This assembly is part of the UVHM system which includes many components that can be mixed and matched to create a support solution for any mounting location. Most of the UVHM assemblies can be easily reconfigured in the field for a different application by either adding or deleting a few parts.
- Please specify either 3" or 6" riser(s) when ordering.
- Each arm supports up to 15 lbs.