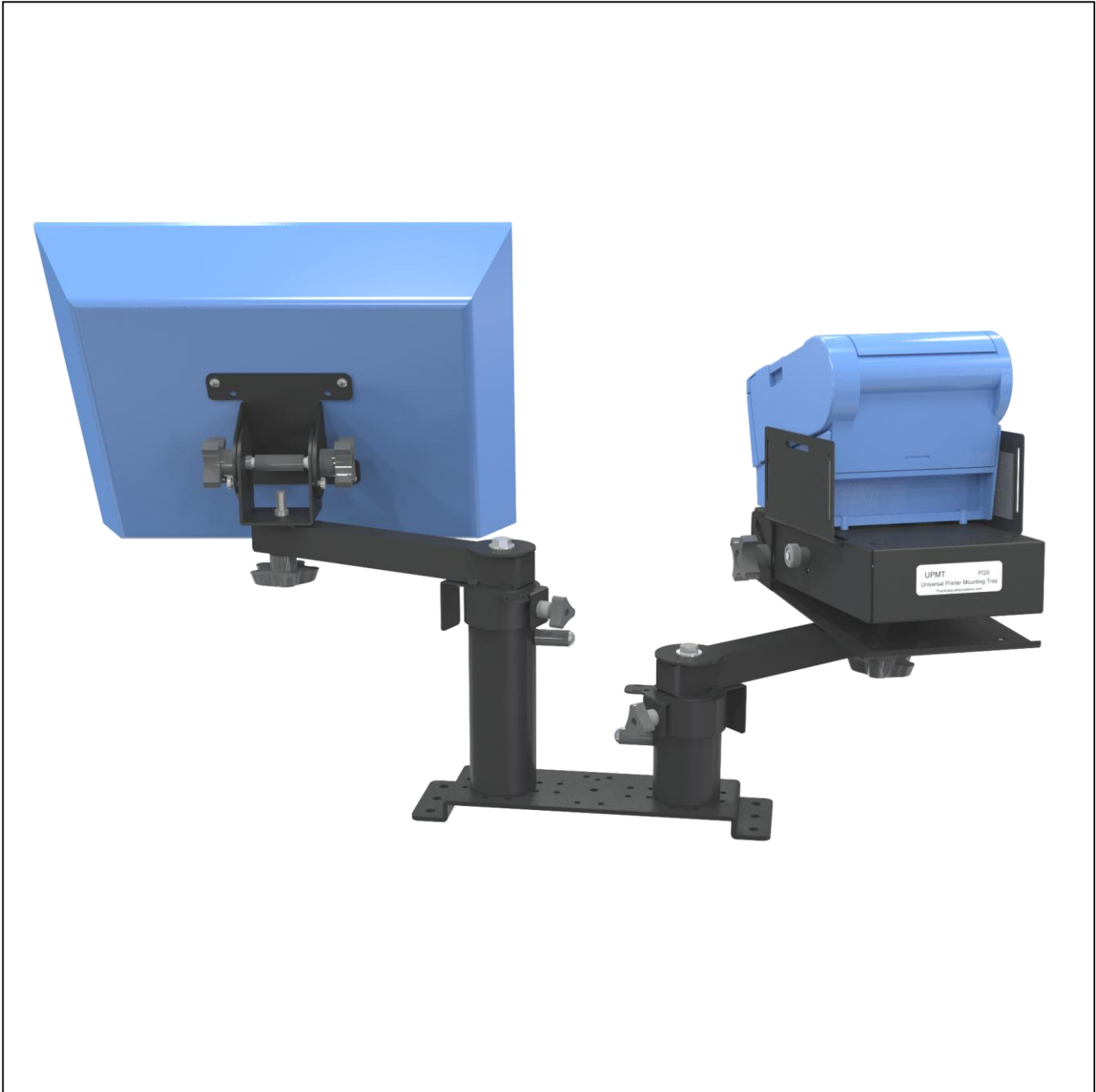


PQS

PRACTICAL QUALITY SYSTEMS
Fast Custom Manufacturing - Nationwide Installation Services

Pedestal mount w/2- 3" or 6" risers, 8" arms, a screen pan and tilt head and a universal printer mounting tray PN 80086-80088



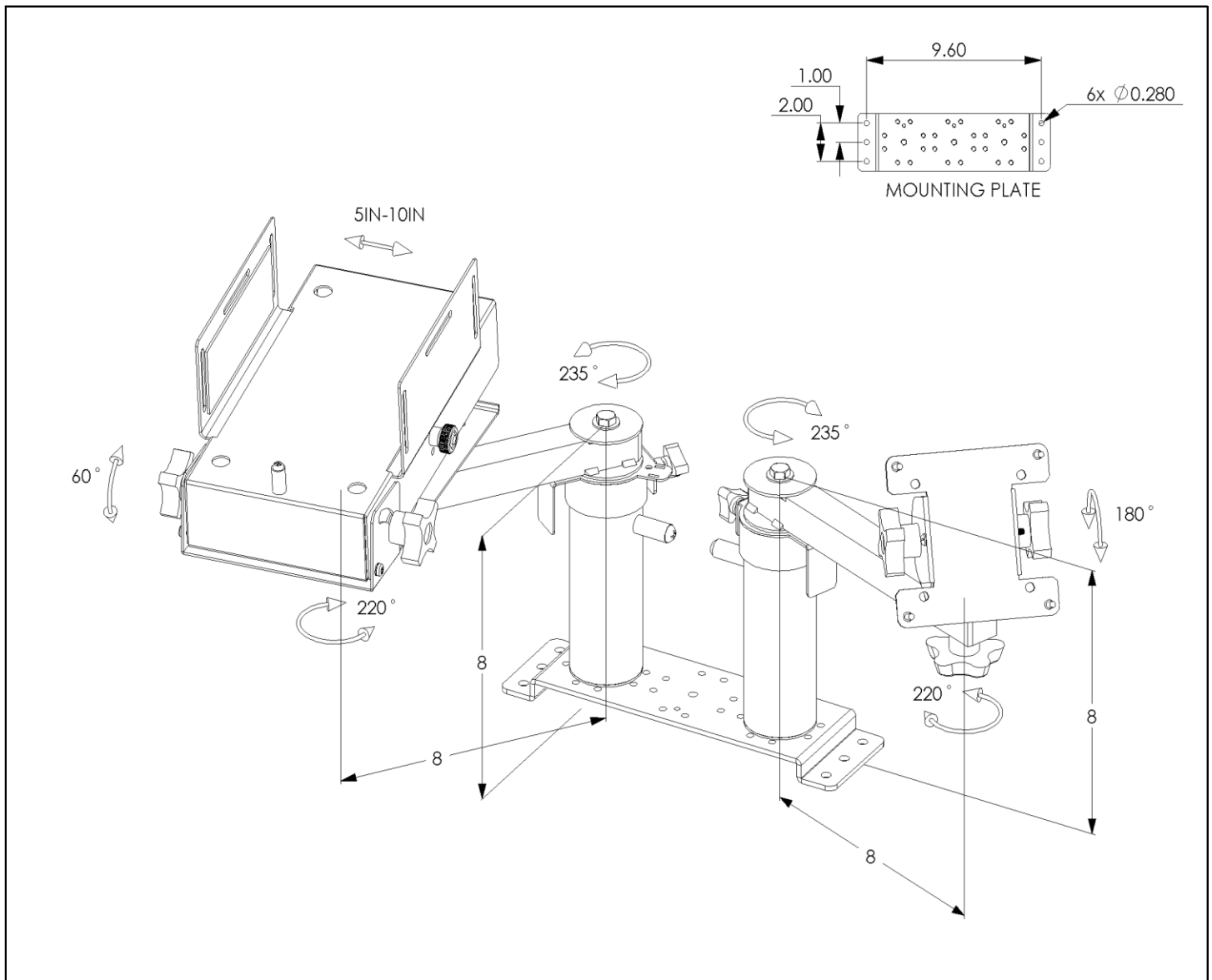
NOTE: 80088 with a 75/100mm VESA Pan and Tilt head shown. All mounting systems are also available for NON VESA compatible screens.

info@practicalqualitysystems.com WWW.PRACTICALQUALITYSYSTEMS.COM

(818) 993-1022

ALL PRODUCTS PATENT PENDING

Pedestal mount w/2- 3" or 6" risers, 8" arms, a screen pan and tilt head and a universal printer mounting tray PN 80086-80088



NOTE: 80086 with a 75/100mm VESA pan and tilt head shown. All assemblies with NON VESA compatible pan and tilt heads will appear differently.

PRODUCT SPECIFICATIONS

- Available with pan and tilt heads to support all VESA and NON VESA compatible touch screens, terminals or flat panel monitors. Refer to the *Custom Fit Pan and Tilt Heads* page on our website found in the *Other Products* section for the most current list of options. If we don't have a compatible pan and tilt head send us a sample of your screen and we'll create a *Custom Fit* solution for you.
- Attaches to a counter top, shelf or any other flat horizontal surface.
- The assembly supports touch screens, terminals or flat panel monitors up to 20" (all images are shown with a 17" screen).

Pedestal mount w/2- 3" or 6" risers, 8" arms, a screen pan and tilt head and a universal printer mounting tray PN 80086-80088

- The pan and tilt head adjusts without tools to lock the screen at any position, side to side, or up and down.
- The position of the pan and tilt head can also be locked more securely for the long term by tightening locking screws on the pan and tilt head with a Phillips screw driver.
- The sides of the printer tray adjust without tools to grip the sides of any printer from 5" to 9 ½" wide.
- The printer tray can be tilted forward, rotated and locked into position without tools.
- In some cases it is recommended to install a screen on a 6 inch riser and printer on a 3 inch riser.
- A 3" or 6" riser elevates the 8" arms above the mounting surface and allows the terminal and the printer to travel horizontally, permitting a wide range of positioning locations.
- Integral stop details on the riser and arm can be located at any setting to prevent cable damage when the arm supporting the screen or the printer is rotated around the riser.
- The arms can rotate freely or be locked in any position horizontally without tools at the riser cap.
- The pan and tilt head or printer can be easily removed from the arm and attached directly to the top of the riser.
- The riser cap incorporates a cable tie point to secure the cables so that they will travel safely as the arm is rotated.
- The pan and tilt head includes integral stop details that limit a full rotation to the right or left to prevent cable damage.
- The *Universal Printer Mounting Tray* also makes a great telephone mount.
- Most of our modular mounting systems can be easily reconfigured in the field for a different application by either adding or removing a few parts to create a support solution for any mounting location.
- Please specify either 3" or 6" riser(s) when ordering.
- Each arm supports up to 15 lbs.
- For assembly instructions see the *User Manual* which can be downloaded from the *Product Resources* page on our website.

PRODUCT ASSEMBLIES

See descriptions for the different product assemblies below to determine which best suites your needs. For NON VESA compatible pan and tilt heads add the part number suffix found on the *Custom Fit Pan and Tilt Heads* page on our website. The page can be found listed under the "Other Products" section.

- Two 6" risers plus:
 - 75/100mm VESA compatible pan and tilt head and a *Universal Printer Mounting Tray* 80086
 - *Custom Fit* non VESA compatible pan & tilt head and a *Universal Printer Mounting Tray*: 80086 + Suffix
- Two 3" risers
 - 75/100mm VESA compatible pan and tilt head and a *Universal Printer Mounting Tray* 80087
 - *Custom Fit* non VESA compatible pan & tilt head and a *Universal Printer Mounting Tray*: 80087 + Suffix
- One 6" riser and one 3" riser
 - 75/100mm VESA compatible pan and tilt head and a *Universal Printer Mounting Tray* 80088
 - *Custom Fit* non VESA compatible pan & tilt head and a *Universal Printer Mounting Tray*: 80088 + Suffix

If the website doesn't show a suffix that represents your compatible pan and tilt head then send us a sample of your screen and we'll create a *Custom Fit* solution for you.

Pedestal mount w/2- 3" or 6" risers, 8" arms, a screen pan and tilt head and a universal printer mounting tray PN 80086-80088

MOUNTING OPTIONS:

- All of our screen pan and tilt heads can be used with any of the following mounting systems.

