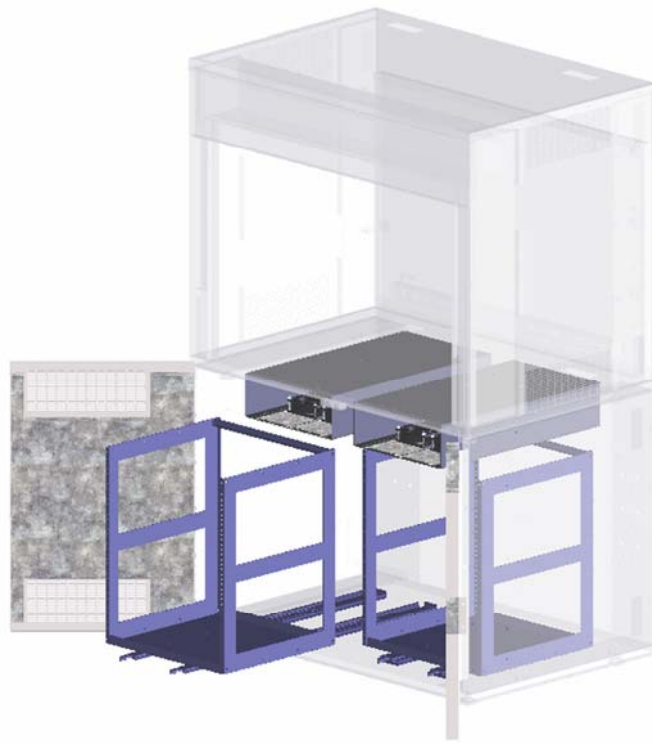


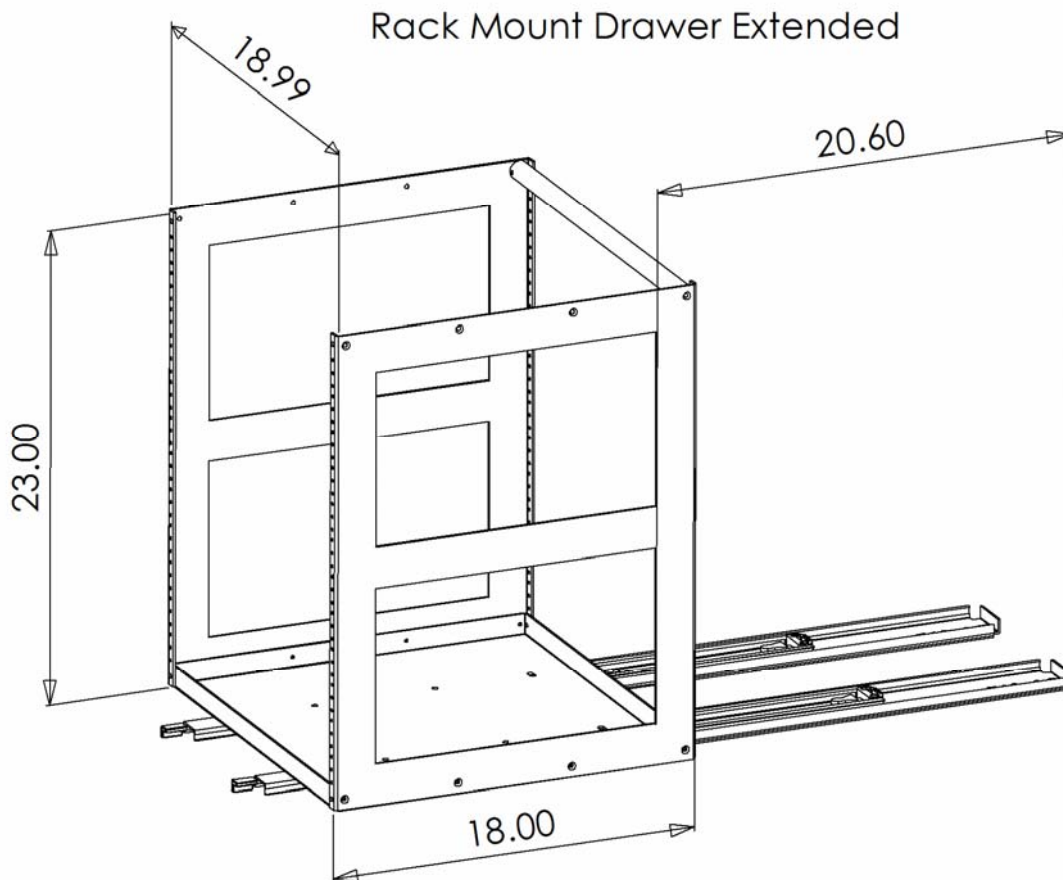
19" Rack Mount Drawer Retrofit Kit for Lower cabinets includes vented door, Modular Ventilation System PN 60090

19" RACK MOUNT DRAWER
KIT FOR LOWER CABINETS
WITH SLIDER RAILS. MODULAR
VENTILATION SYSTEM,
AND VENTED DOORS
PART# 60090



Product Specifications:

- The Rack Mount Drawers install inside of any Lower Cabinet and attach directly to the bottom panel at pre marked screw locations.
- The drawer frames are made of heavy duty, 12 gauge galvanized steel to resist corrosion and can support up to 100 Lbs. of equipment.
- Each drawer features an upper rear cross bar for attachment of the wiring harness and includes a pair of heavy duty, ball bearing drawer slide units that allows the 18" deep drawers to be pulled out 20".
- The 19" rack rails have 12U of mounting space; they are tapped with 10-32 threaded holes and include a pack of 24 mounting screws.
- This kit also includes a vented Lower Cabinet Rack Mount Door and a Modular Ventilation System with four fans.



Engineering Drawing Reference Notes

To view and manipulate 3D models of any assembly; visit www.edrawingsviewer.com and download the free eDrawings viewer software, then open the eDrawing format files (.EASM) found in our Engineering Drawings folders.

For more product dimensional specifications; download the Engineering Drawings folder for files in DWG, PDF and EASM formats on our website from the tool bar on the individual product pages or from our Product Resources page.

User Manual Reference

Refer to manual 10010703-UM for assembly and installation instructions

User manuals are available for download in PDF format on our website from the tool bar on the individual product pages or from our Product Resources page.