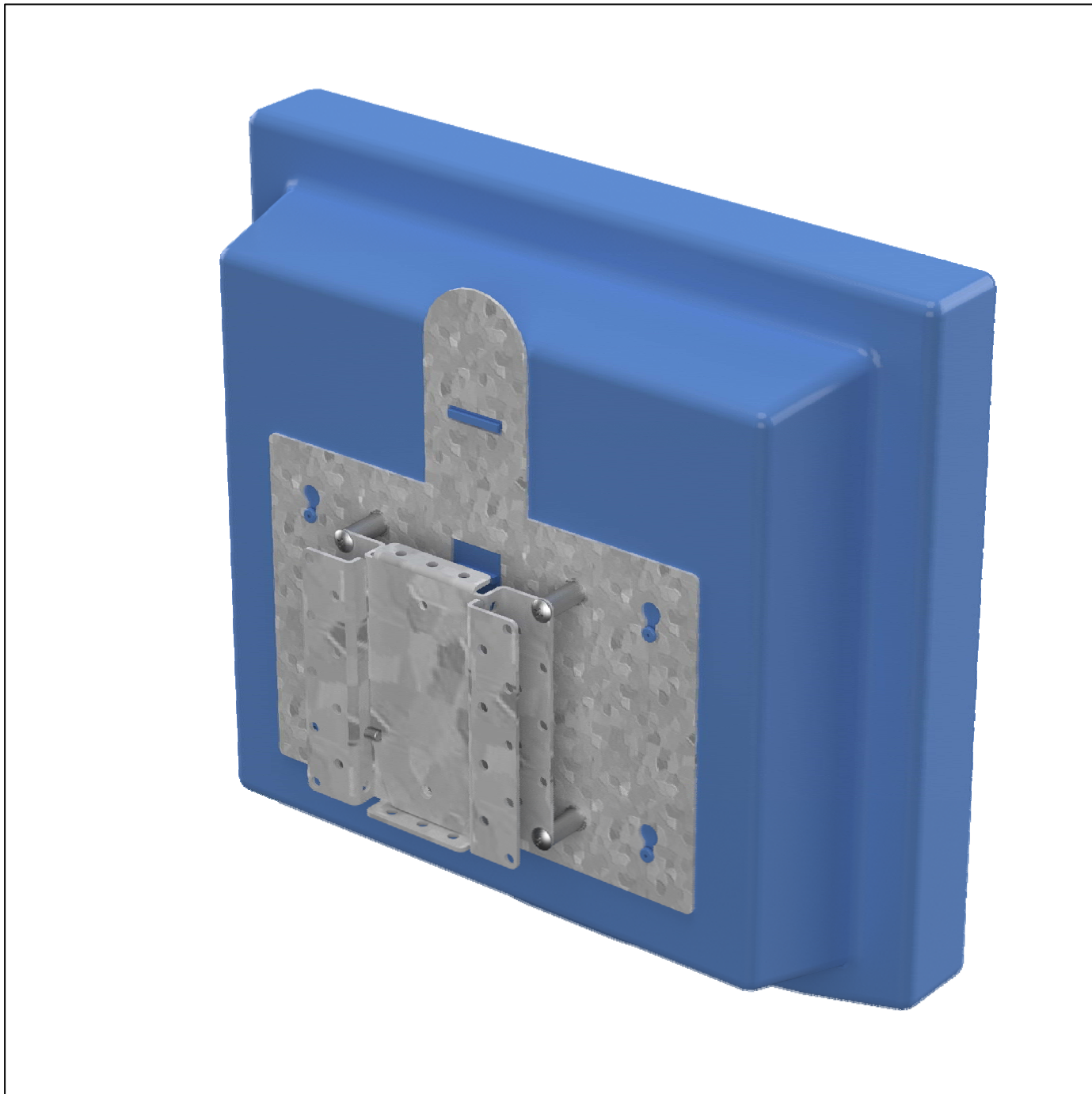




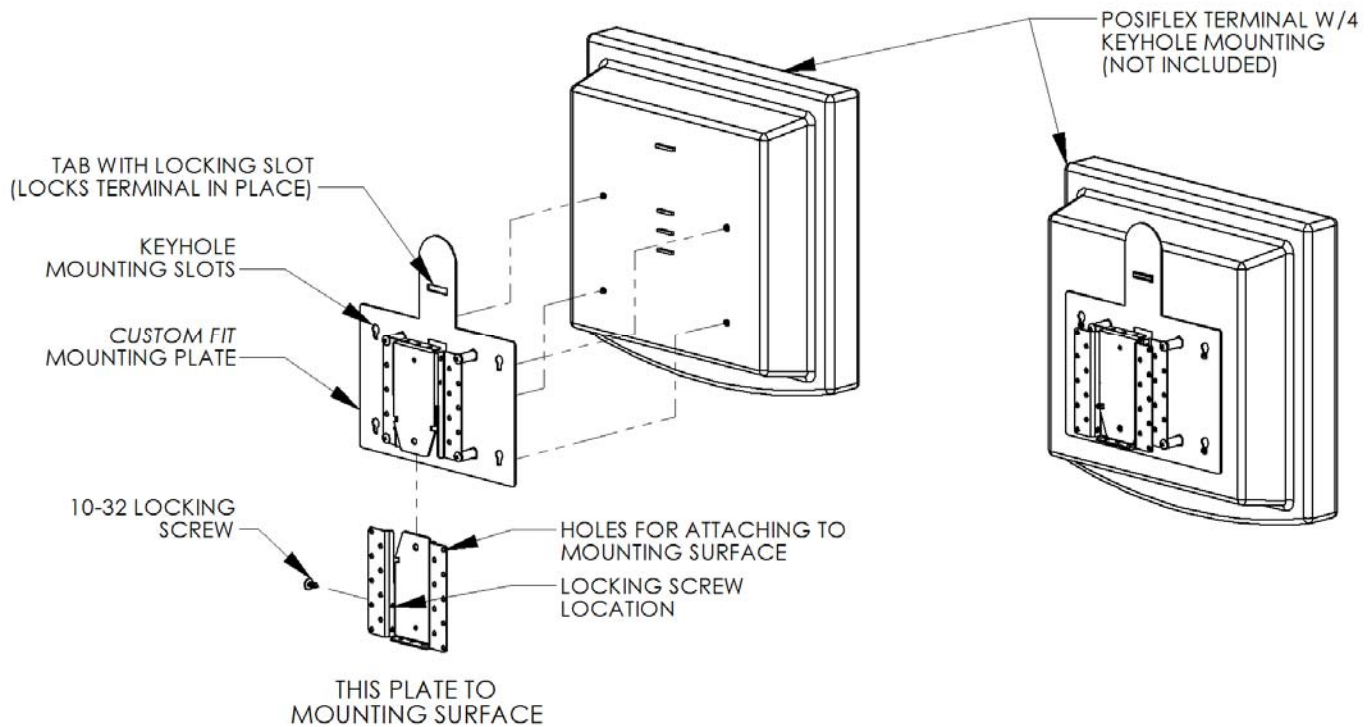
**PRACTICAL QUALITY SYSTEMS**  
*Fast Custom Manufacturing - Nationwide Installation Services*

**Custom Fit Flat Wall Mount for POSIFLEX 4 Keyhole Mounting PN 80910-402**



NOTE: 80910-402 shown with a POSIFLEX JIVA 8315 terminal installed.

## Custom Fit Flat Wall Mount for POSIFLEX 4 Keyhole Mounting PN 80910-402



NOTE: 80910-402 shown with a POSIFLEX JIVA 8315 terminal installed.

### PRODUCT SPECIFICATIONS

- Supports a POSIFLEX touch screen terminal with 4 keyhole mount.
- Attaches to a wall or any other flat vertical surface.
- Keyhole slots in the mounting plate mate to the mounting pegs on the terminal to attach them together. Terminal is secured to the mounting plate by a locking slot that snaps over a protrusion on the terminal.
- 10-32 screws secure brackets in place at locking screw locations.
- PQS also offers a dual flat mount bracket for POSIFLEX touch screen terminals with 4 keyhole mounts (see PN 80911-402).
- For assembly instructions see the *User Manual* which can be downloaded from the *Product Resources* page on our website.
- All mounting systems are available with *Custom Fit Pan* and *Tilt Heads* for all non VESA compatible screens. Refer to the *Custom Fit Pan and Tilt Heads* page on our website for a current list of all non VESA compatible pan and tilt heads. If we don't currently have a pan and tilt head to fit your screen, we can create one for you.

## Custom Fit Flat Wall Mount for POSIFLEX 4 Keyhole Mounting PN 80910-402

### MOUNTING OPTIONS:

- PQS also offers flat mount brackets for monitors with 75/100mm (PN 80910) & 100/200mm (PN 80913) VESA compatible mounting configurations.
- This assembly is part of the *UVHM* system which includes many components that can be mixed and matched to create a support solution for any mounting location. Most of the *UVHM* assemblies can be easily reconfigured in the field for a different application by either adding or deleting a few parts.
- All of our screen pan and tilt heads, including our *Custom Fit* products, can be used with any of the following mounting systems.

