

PQS

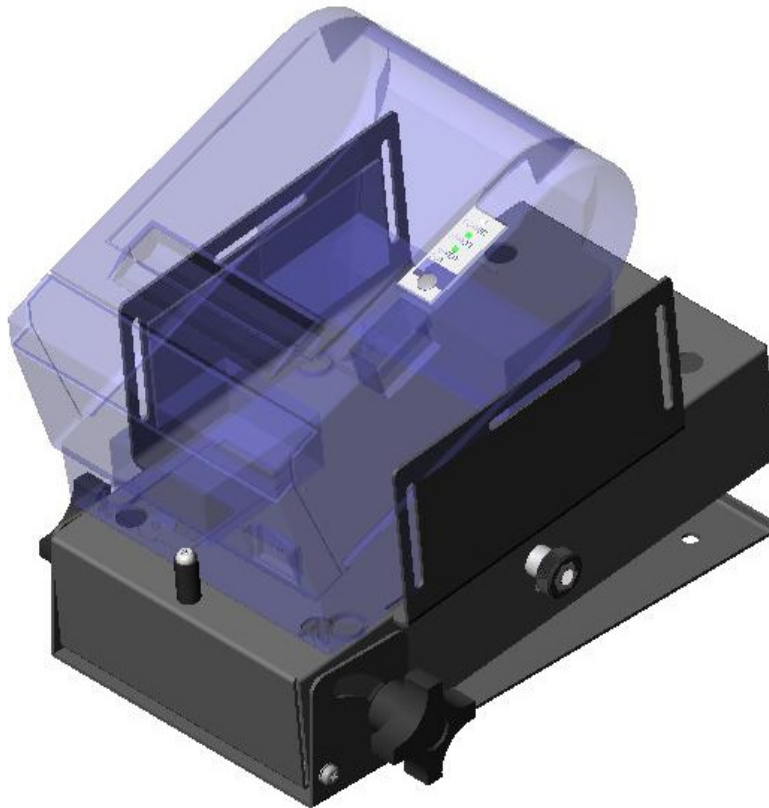
PRACTICAL QUALITY SYSTEMS

Fast Custom Manufacturing - Nationwide Installation Services

UPMT510

PN 80300

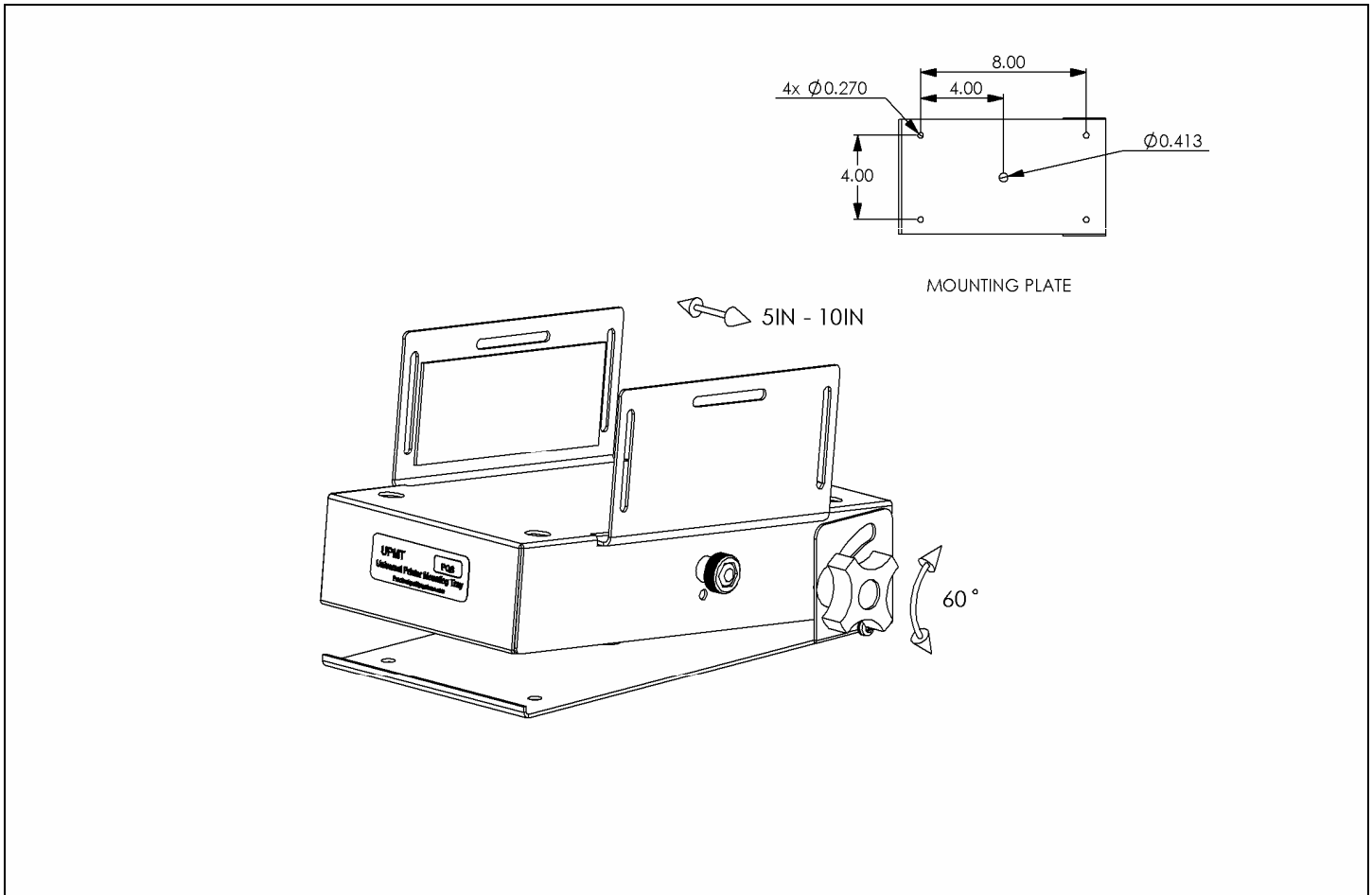
Universal printer mounting tray 5" X 10"



UPMT510

PN 80300

Universal printer mounting tray 5" X 10"



PRODUCT SPECIFICATIONS

- The sides of the printer tray adjust without tools to grip the sides of any printer from 5" to 9 1/2" wide.
- Attaches to a shelf or any other flat horizontal surface.
- The printer tray tilts forward up to 30 degrees and locks into position without tools.
- Compatible with most flexible, clear plastic "splash covers."
- The UPMT also makes a great telephone mount.
- To attach to a wall or any other flat vertical surface, add optional UVHM mounting plates with one arm to support the UPMT or two arms to support a terminal right next to the printer.
- This assembly is part of the UVHM system which includes many components that can be mixed and matched to create a support solution for any mounting location.