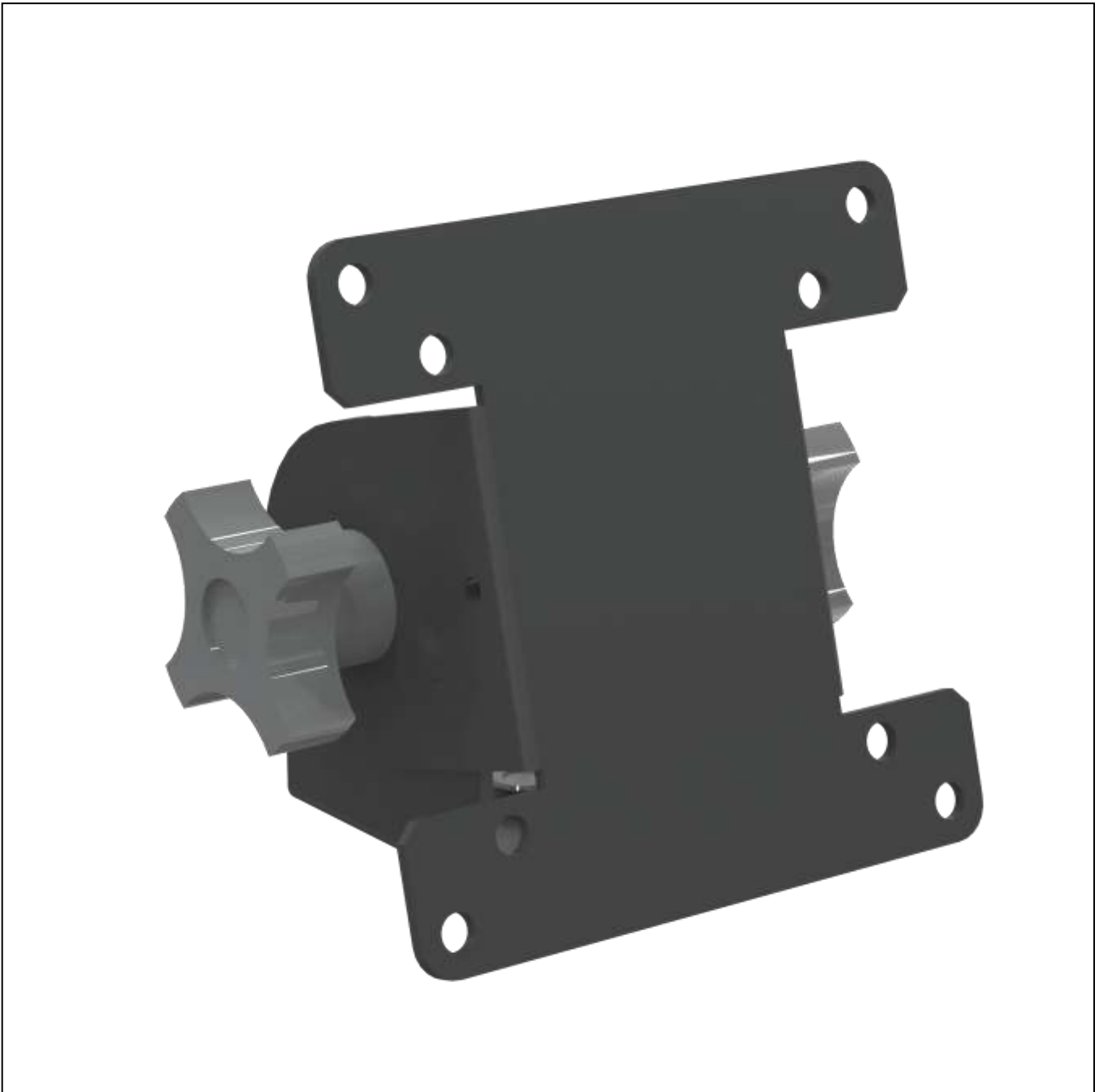




PRACTICAL QUALITY SYSTEMS  
*Fast Custom Manufacturing - Nationwide Installation Services*

**Screen Pan and tilt Head PN 80880**



NOTE: 80880 75/100mm compatible VESA Pan and Tilt head shown. All mounting systems are also available for non VESA compatible screens.

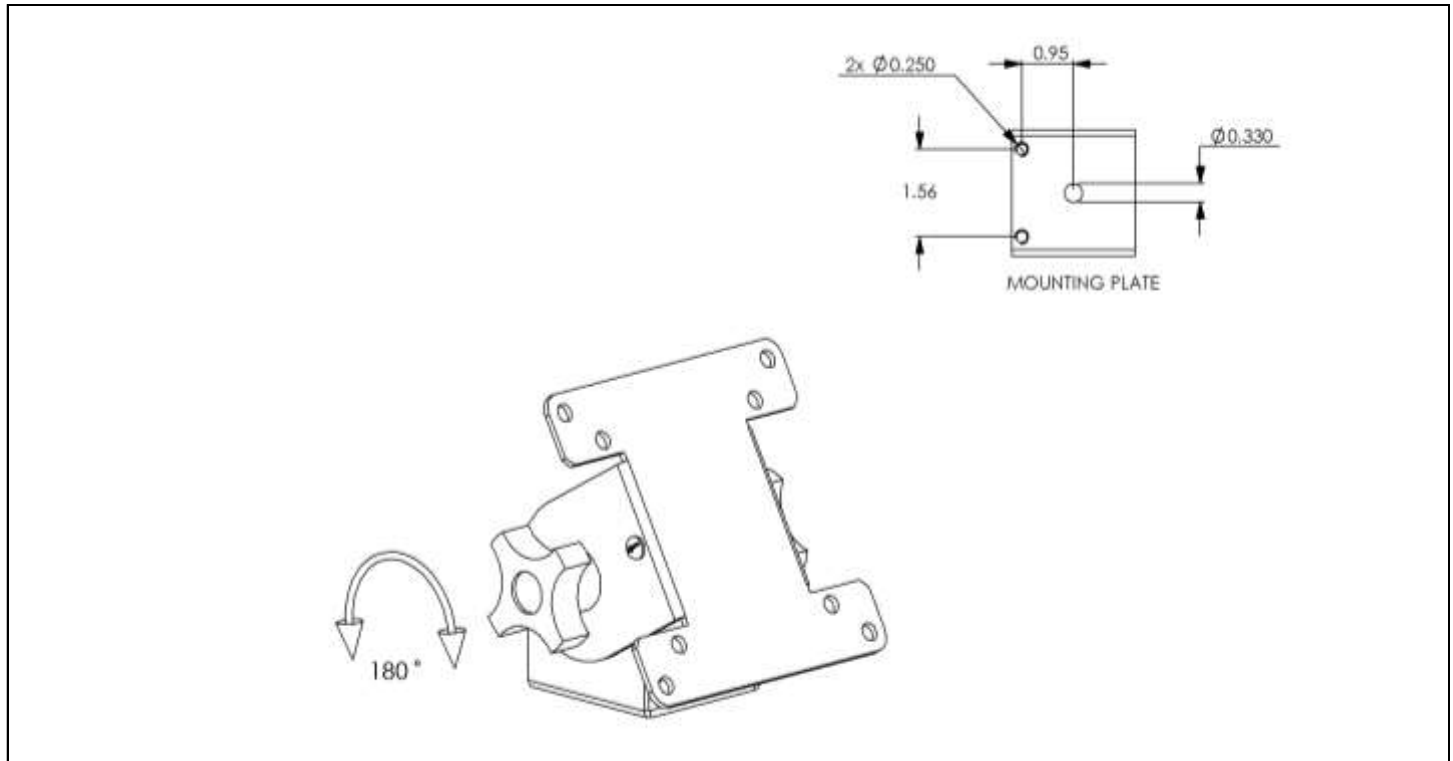
[info@practicalqualitysystems.com](mailto:info@practicalqualitysystems.com)

[WWW.PRACTICALQUALITYSYSTEMS.COM](http://WWW.PRACTICALQUALITYSYSTEMS.COM)

(818) 993-1022

**ALL PRODUCTS PATENT PENDING**

## Screen Pan and tilt Head PN 80880



NOTE: 80880 75/100mm compatible VESA Pan and Tilt head shown. All mounting systems are also available for non VESA compatible screens.

## PRODUCT SPECIFICATIONS

- Available to support all VESA and NON VESA compatible touch screens, terminals or flat panel monitors. Refer to the *Custom Fit Pan and Tilt Heads* page on our website found in the *Other Products* section for the most current list of options. If we don't have a compatible pan and tilt head send us a sample of your screen and we'll create a *Custom Fit* solution for you.
- The pan and tilt head permits side to side rotation and up and down tilting of the terminal. Heavy duty locking hand knobs and anti slip washers on the sides and bottom act to secure the tilt angles and side to side position at any desired position.
- The position of the pan and tilt head can also be locked more securely for the long term by tightening the pan and tilt head locking screws with a Phillips screw driver.
- Add an optional hook and loop strap screw when using our *Back of Screen Controller Mount* to add a lower position when mounting a micro computer or video controller right behind the screen. Our *Back of Screen Controller Mount-RDC* is task built to support a MICROS RDC unit, and uses a holster design with a single thumbscrew to secure the RDC in place without a hook and loop strap.
- When used in an assembly that is configured as a *SM* (Side Mount), *FM* (Flat Mount) or *UC* (Under Counter Mount) with a riser, the pan and tilt head includes integral stop details that limit a full rotation to the right or left to prevent cable damage.
- Most of our modular mounting systems can be easily reconfigured in the field for a different application by either adding or removing a few parts to create a support solution for any mounting location.

### Screen Pan and tilt Head PN 80880

- To order this assembly with a 75/100mm VESA compatible screen pan and tilt head; use part number 80880.
- To order this assembly with a *Custom Fit*, NON VESA compatible screen tilt head; use part number 80880 and add the part number suffix found on the *Custom Fit Pan and Tilt Heads* page on our website. The page can be found listed under the *Other Products* section. If the website doesn't show a suffix that represents a type that is compatible with your screen pan and tilt head send us a sample of your screen and we'll create a *Custom Fit* solution for you.

#### MOUNTING OPTIONS:

- All of our screen pan and tilt heads can be used with any of the following mounting systems.

