

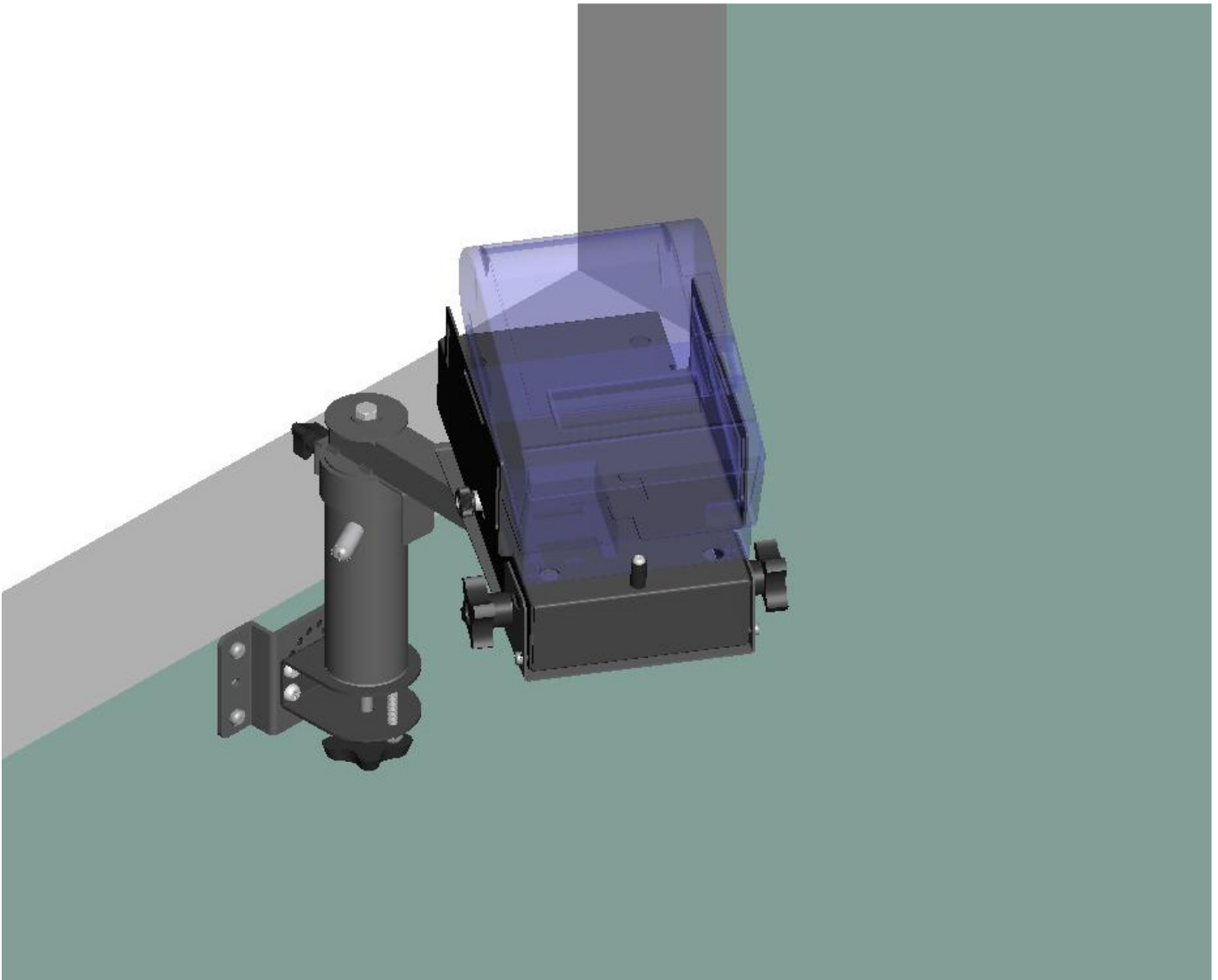
PQS

PRACTICAL QUALITY SYSTEMS

Fast Custom Manufacturing - Nationwide Installation Services

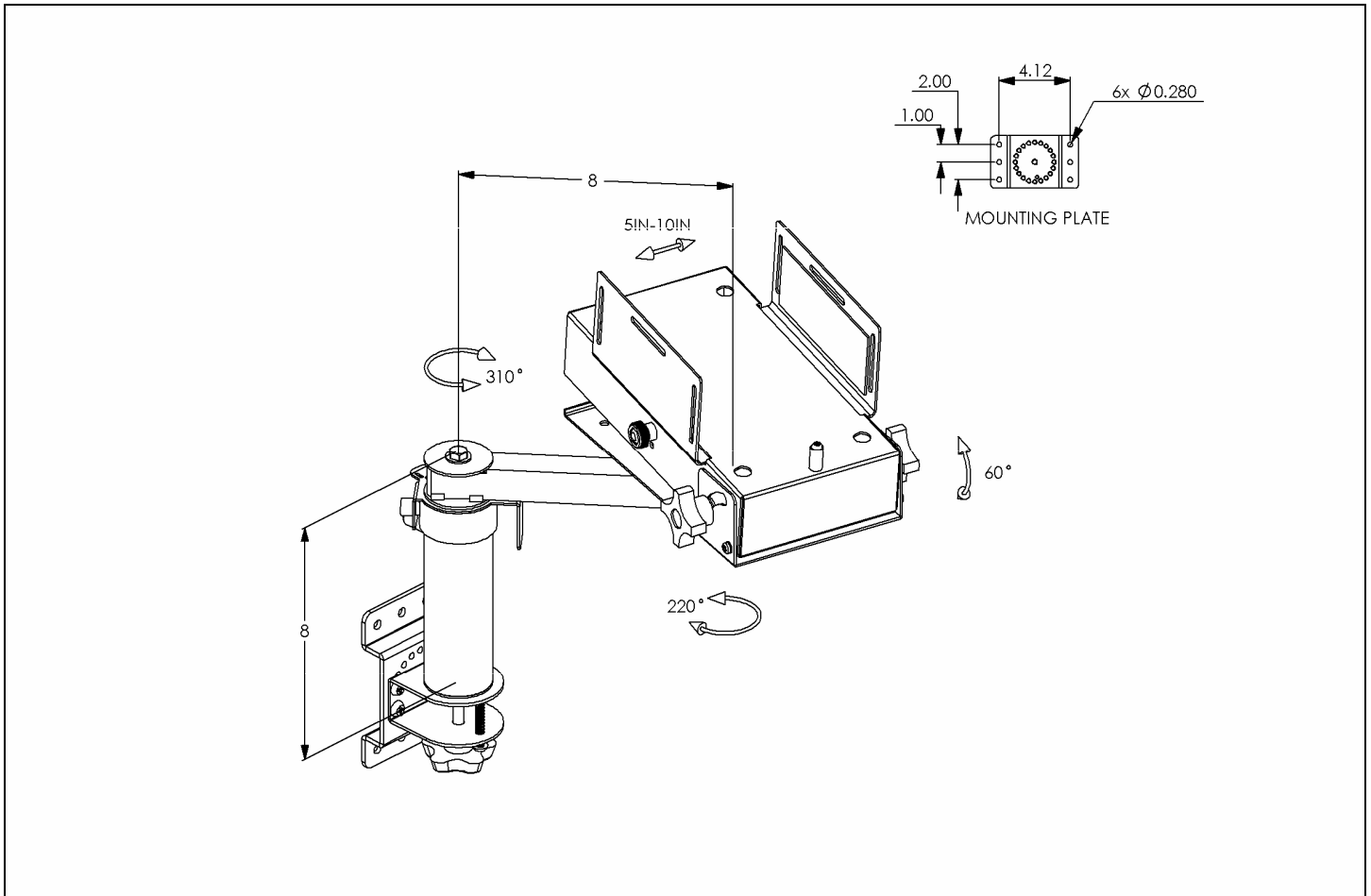
UVHM-SM-UPMT

A single position side mounting plate with a 3" or 6" riser, one 8" arm and a universal printer mounting tray



UVHM-SM-UPMT

A single position side mounting plate with a 3" or 6" riser, one 8" arm and a universal printer mounting tray



PRODUCT ASSEMBLIES

- UVHM- SM-R6-UPMT: PN 80024
A single position side mounting plate with a 6" riser, an 8" arm and a Universal printer mounting tray
- UVHM- SM-R3-UPMT: PN 80025
A single position side mounting plate with a 3" riser, an 8" arm and a Universal printer mounting tray

UVHM-SM-UPMT

A single position side mounting plate with a 3” or 6” riser, one 8” arm and a universal printer mounting tray

PRODUCT SPECIFICATIONS

- The sides of the printer tray adjust without tools to grip the sides of any printer from 5” to 9 ½” wide.
- Attaches to a wall or any other flat vertical surface.
- The printer tray can be tilted forward, rotated and locked into position without tools.
- In some cases it is recommended to install a screen on a 6 inch riser and printer on a 3 inch riser.
- A 3” or 6” riser elevates the 8” arm above the mounting surface and allows the UPMT to travel horizontally to permit a wide range of printer locations.
- The arm can rotate freely or be locked in any position horizontally without tools at the riser cap.
- The UPMT also makes a great telephone mount.
- Add an optional P3 plate and another arm with a tilt head to support a terminal right next to the printer.
- Integral stop details on the riser and arm can be located at any setting to prevent cable damage when the arm supporting the screen or the printer is rotated around the riser.
- The tilt head or printer can be easily removed from the arm and attached directly to the top of the riser.
- The riser cap incorporates a cable tie point to secure the cables so that they will travel safely as the arm is rotated.
- The tilt head includes integral stop details that limit a full rotation to the right or left to prevent cable damage.
- This assembly is part of the UVHM system which includes many components that can be mixed and matched to create a support solution for any mounting location. Most of the UVHM assemblies can be easily reconfigured in the field for a different application by either adding or deleting a few parts.
- Please specify either 3” or 6” riser(s) when ordering.
- Each arm supports up to 15 lbs.