

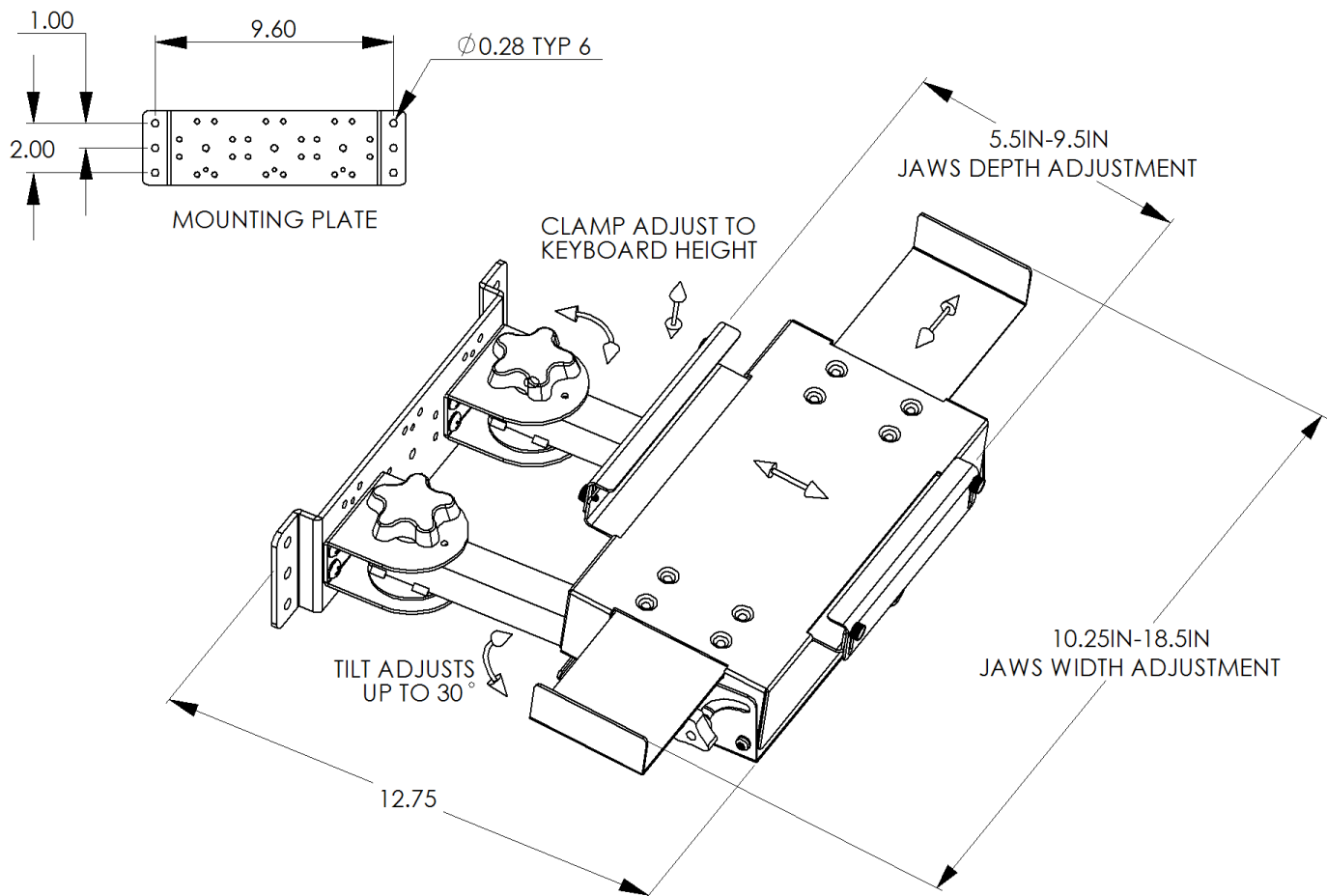
PQS

PRACTICAL QUALITY SYSTEMS
Fast Custom Manufacturing - Nationwide Installation Services

Universal keyboard wall mount with two arms PN 80010



Universal keyboard wall mount with two arms PN 80010



PRODUCT SPECIFICATIONS

- The sides of the keyboard tray adjust without tools to grip the sides of any printer from 5" to 9 1/2" wide.
- Attaches to a wall or any other flat vertical surface.
- Attaches to a shelf or any other flat horizontal surface.
- The printer tray can be tilted forward, rotated and locked into position without tools.
- The position of the 8" arms adjust without tools to permit the printer tray to travel horizontally, allowing a range of positioning locations.
- The position of the arms can also be locked more securely for the long term by tightening the arm locking screw with a Phillips screw driver.
- The *Universal Keyboard Mounting Tray* also makes a great telephone mount.
- This assembly is one of our modular mounting systems. This system includes many components which can be mixed and matched to create a custom support solution for any mounting location. Most of our modular mounting system assemblies can be easily reconfigured in the field for a different application by either adding or removing a few parts.
- Each arm supports up to 15 lbs.

Universal keyboard wall mount with two arms PN 80010

- All wall mountable assemblies can be ordered with an optional *Stud Bridge Mounting Plate* (PN 50360) that supports up to three arms and attaches to wall studs spaced at 16" on center.
- For assembly instructions see the *User Manual* which can be downloaded from the *Product Resources* page or from the top of the info page on our website.
- To order this assembly use part number 80010.

MOUNTING OPTIONS:

- *Universal Printer and Universal Keyboard Mounting Trays* assemblies as well as all our screen and pan tilt heads can be used with any of the following mounting systems.

