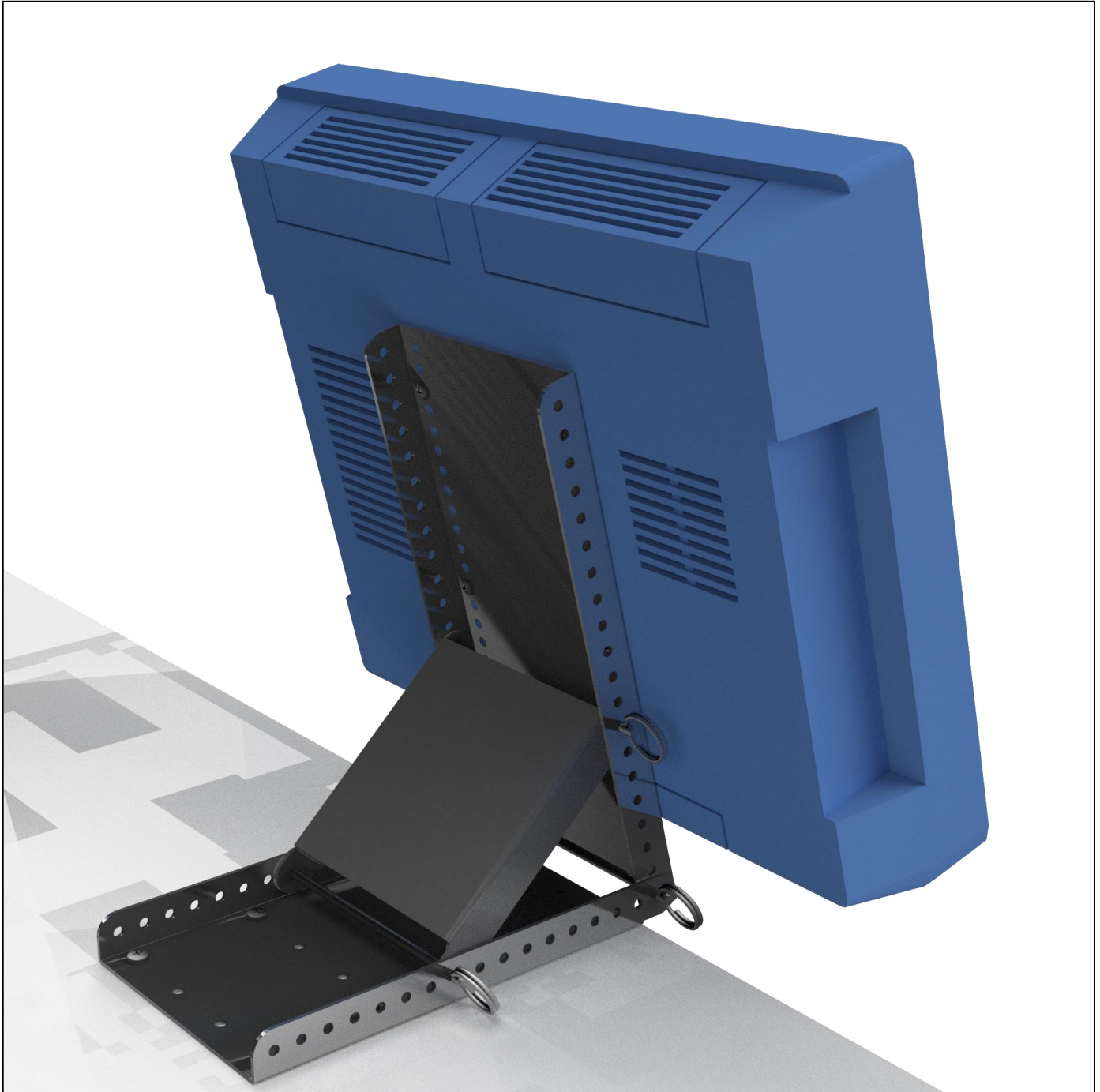


PQS

PRACTICAL QUALITY SYSTEMS
Fast Custom Manufacturing - Nationwide Installation Services

35 LB Tilting Shelf Edge Mount 100mm VESA PN 80941



NOTE: 35LB Shelf Edge Mount with shown with 15" terminal

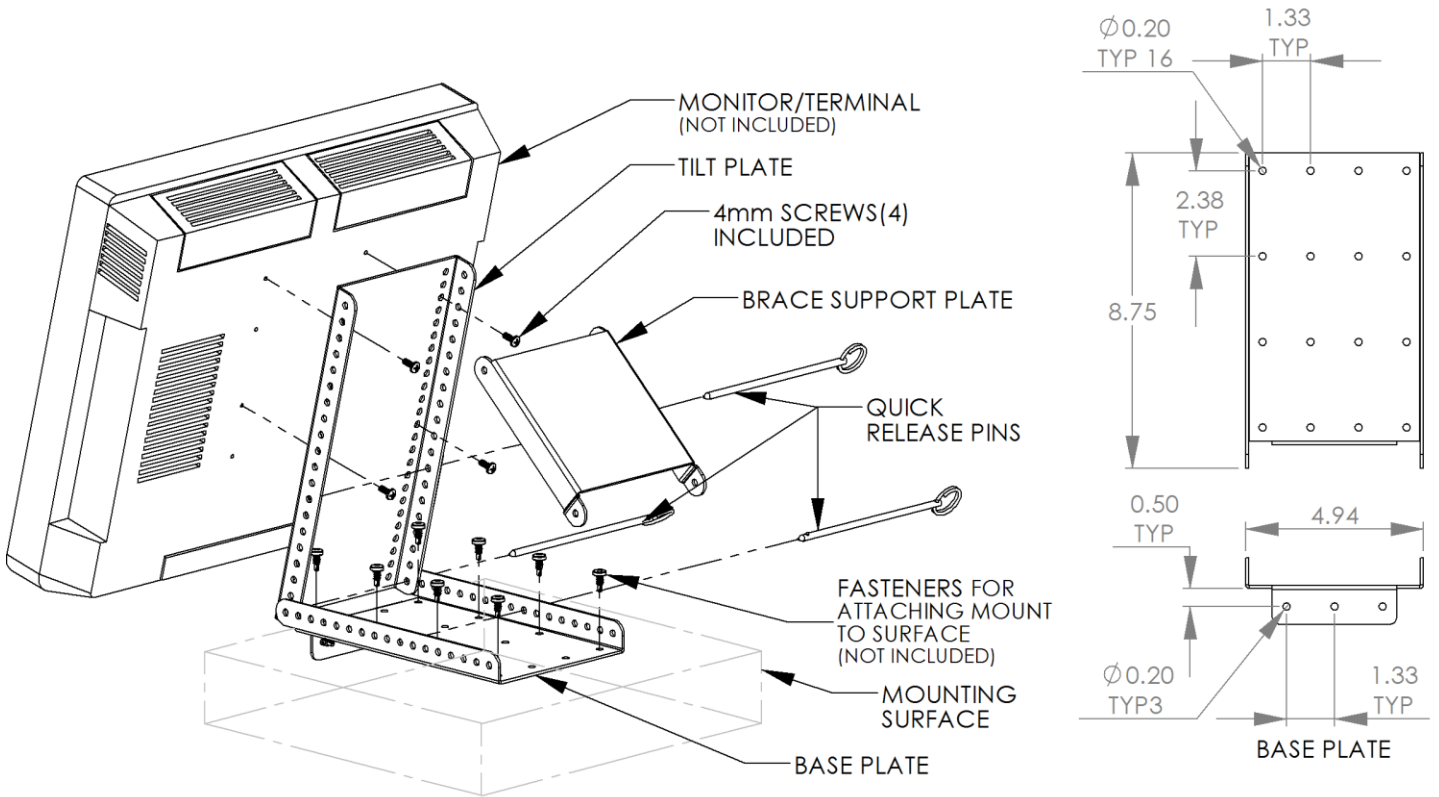
info@practicalqualitysystems.com

WWW.PRACTICALQUALITYSYSTEMS.COM

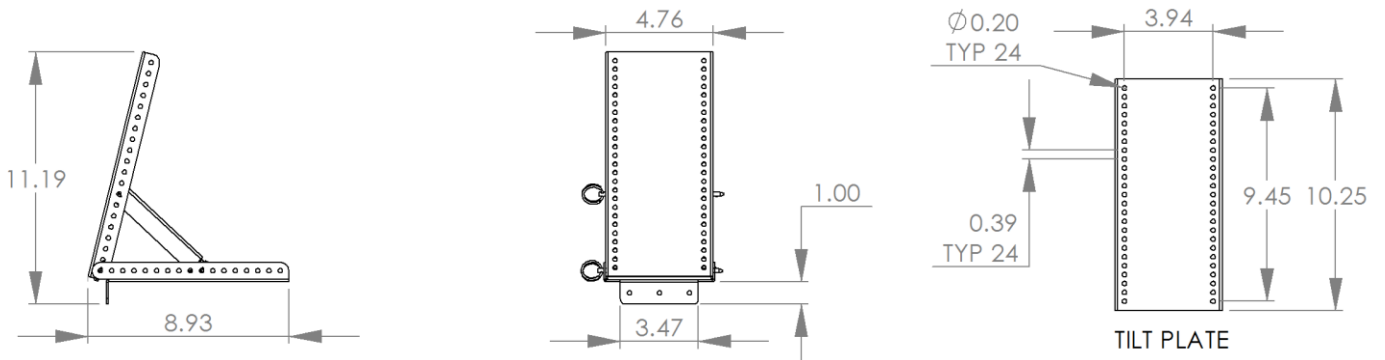
(818) 993-1022

ALL PRODUCTS PATENT PENDING

35 LB Tilting Shelf Edge Mount 100mm VESA PN 80941



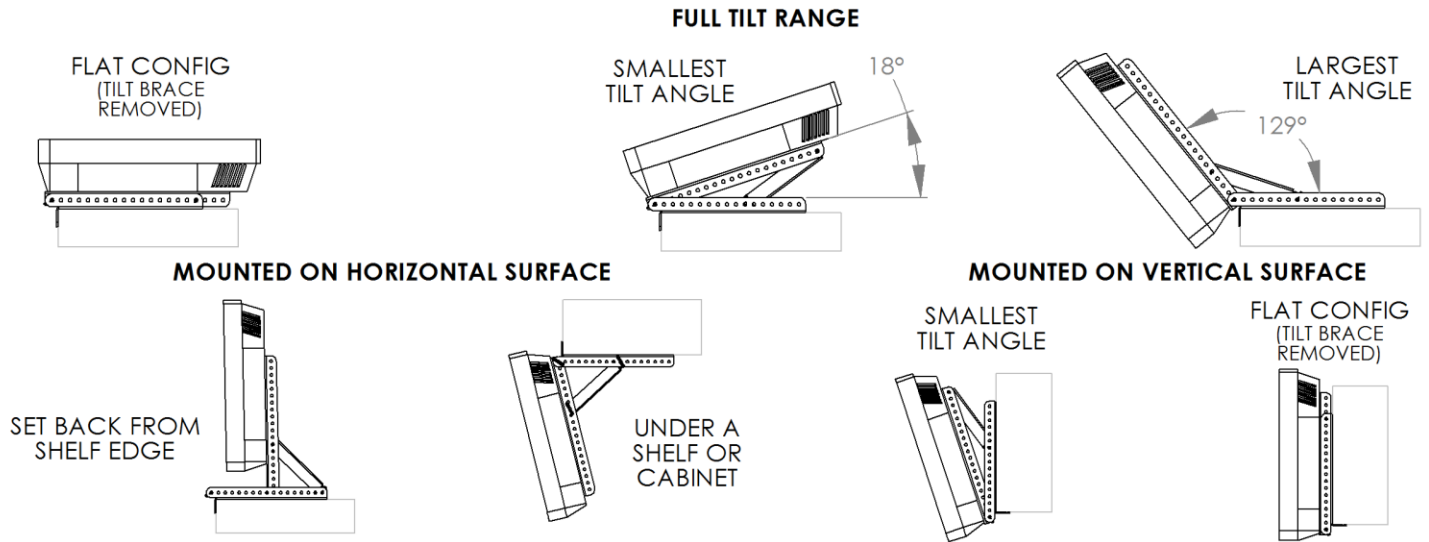
PRODUCT SPECIFICATIONS



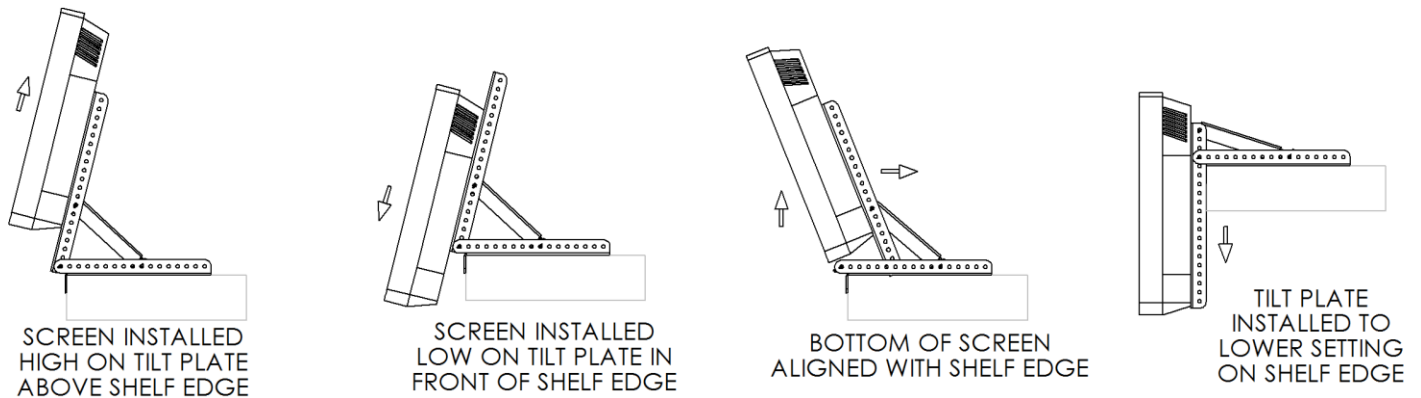
- **PQS** offers several mounting options for medium duty applications. All mounts available with 100mm VESA patterns.
- The assembly supports touch screens, terminals or flat panel monitors up to 35LBs.
- Attaches to a shelf or any flat horizontal surface edge.
- Adjusts without tools to lock the screen at any position or up and down allowing for a wide range of screen locations.
- Made of 14 gauge stainless steel to resist corrosion and blend with commercial kitchen environments.

35 LB Tilting Shelf Edge Mount 100mm VESA PN 80941

- This assembly can be oriented and installed in multiple configurations either horizontally or vertically.
- Tilt range is from 18 degrees to 129 degrees measured from the mounting surface.
- Removing the *Tilt Brace* allows you to align the *Tilt Plate* so that it's parallel to the mounting surface.



- The screen height can be adjusted two ways. One way is by simply adjusting the position of the screen along the *Tilt Plate*. The second way is by adjusting where the *Tilt Plate* attaches to the *Base Plate* as shown below.
- It is also possible to install the screen so that it is aligned or set back from the shelf edge as shown.



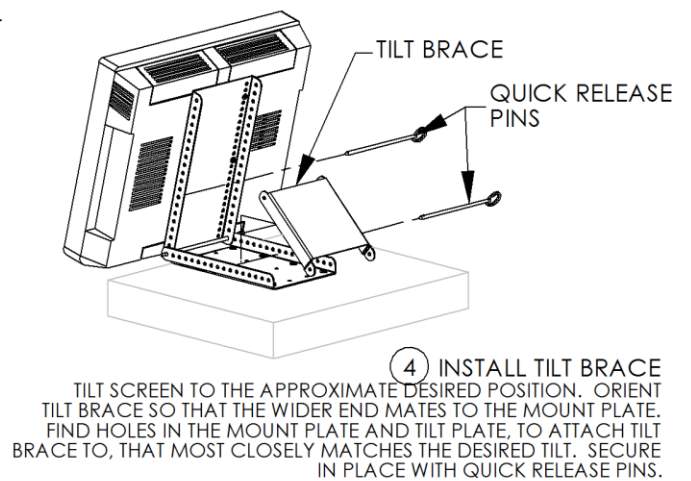
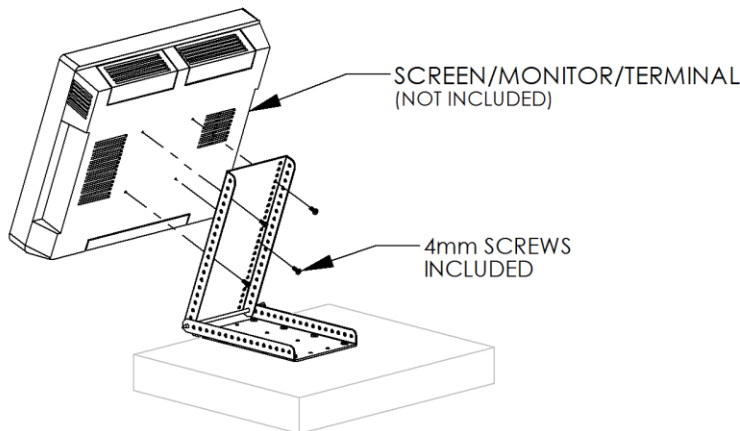
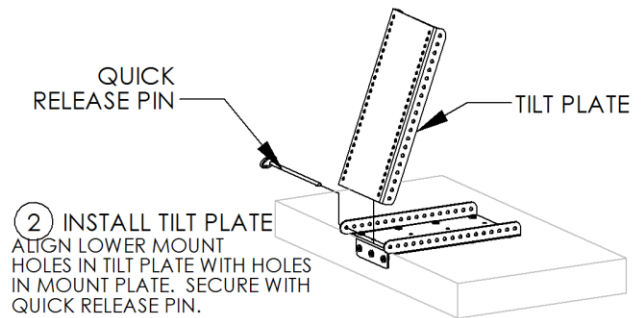
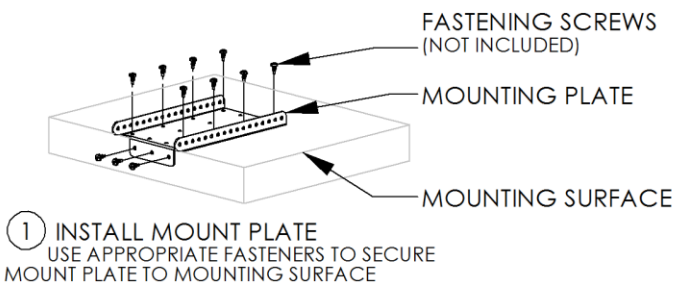
- To order this assembly use part# 80941. This product is also available in a wall mountable version. See part# 80942.
- To order this assembly with a *Custom Fit* hole pattern to accommodate NON VESA compatible screen; use part number 80941 and add the part number suffix found on the *Custom Fit Pan and Tilt Heads* page on our website.

The page can be found listed under the *Other Products* section. If the website doesn't show a suffix that represents your screen; then send us your screen and we'll create a *Custom Fit* solution for you.

35 LB Tilting Shelf Edge Mount 100mm VESA PN 80941

INSTALLATION INSTRUCTIONS

- The installation instructions below are similar for all configurations.



35 LB Tilting Shelf Edge Mount 100mm VESA PN 80941

MOUNTING OPTIONS: 35LB CLASS MOUNTING PRODUCTS:

- For non-VESA compatible pan and tilt heads use 80941 and add the part number suffix found on the *Custom Fit Pan and Tilt Heads* page on our website. The page can be found listed under the "Other Products" section.
- **PQS** offers several mounting options for medium duty applications. All mounts available with 100mm VESA patterns. Most are also available with 200x200 & 200x100mm VESA mounting patterns.

