

# PQS

PRACTICAL QUALITY SYSTEMS  
*Fast Custom Manufacturing - Nationwide Installation Services*

## 35 LB Tilting Wall Mount 100mm VESA PN 80942



NOTE: 35LB Tilting Wall Mount with shown with 15" terminal

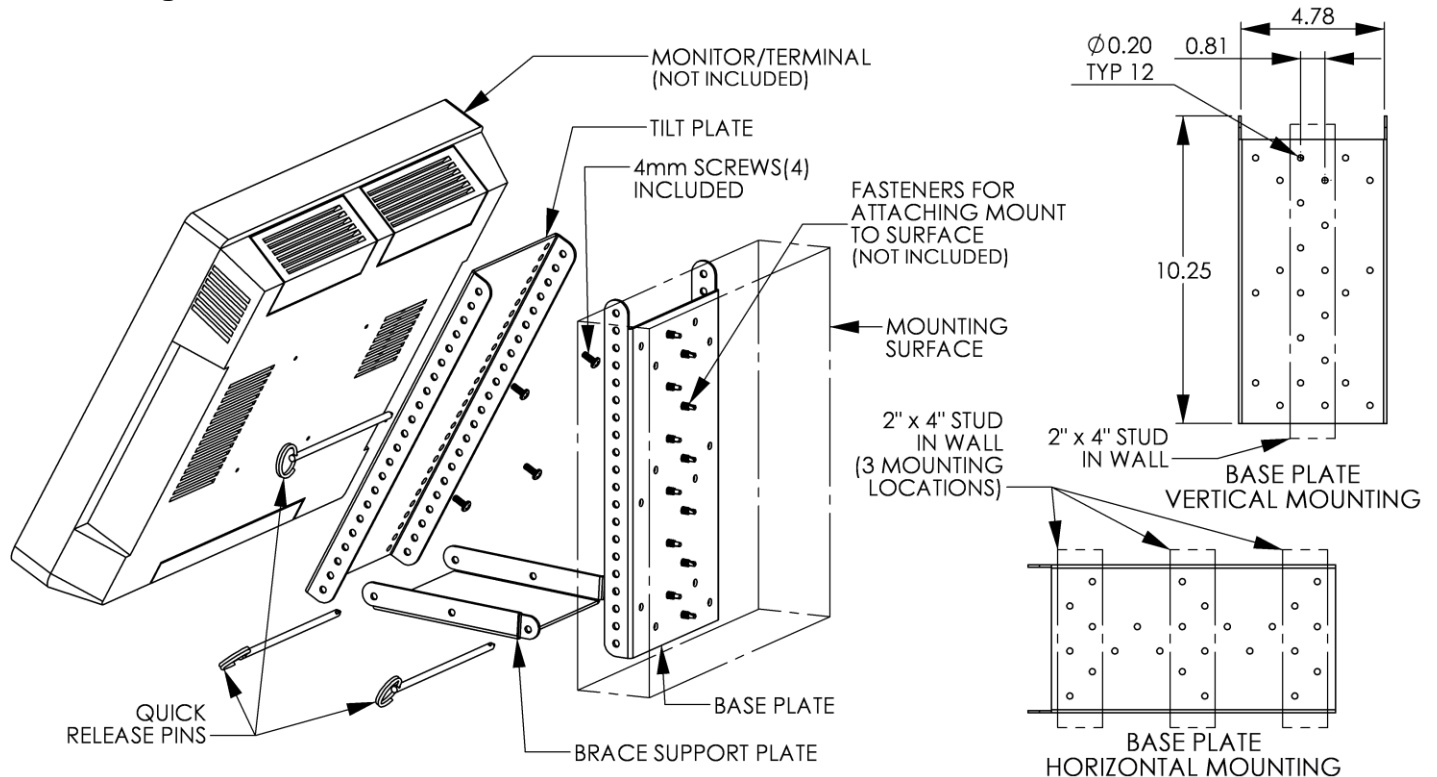
[info@practicalqualitysystems.com](mailto:info@practicalqualitysystems.com)

[WWW.PRACTICALQUALITYSYSTEMS.COM](http://WWW.PRACTICALQUALITYSYSTEMS.COM)

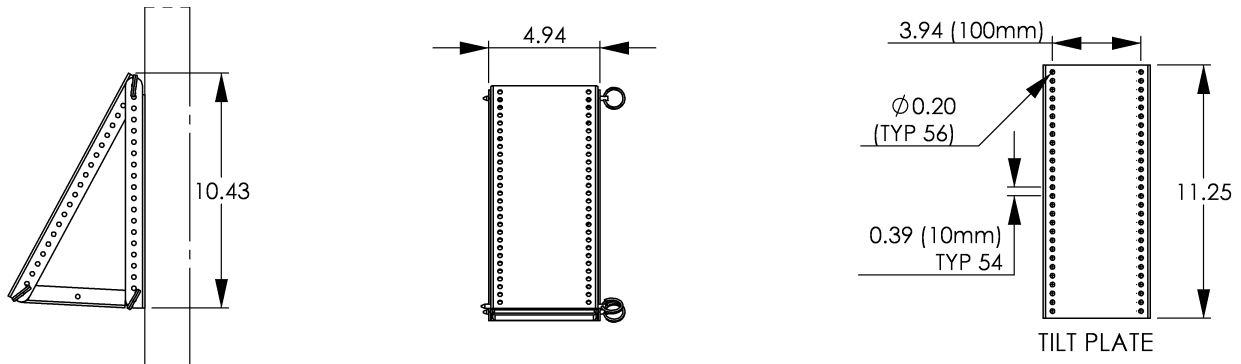
(818) 993-1022

**ALL PRODUCTS PATENT PENDING**

### 35 LB Tilting Wall Mount 100mm VESA PN 80942



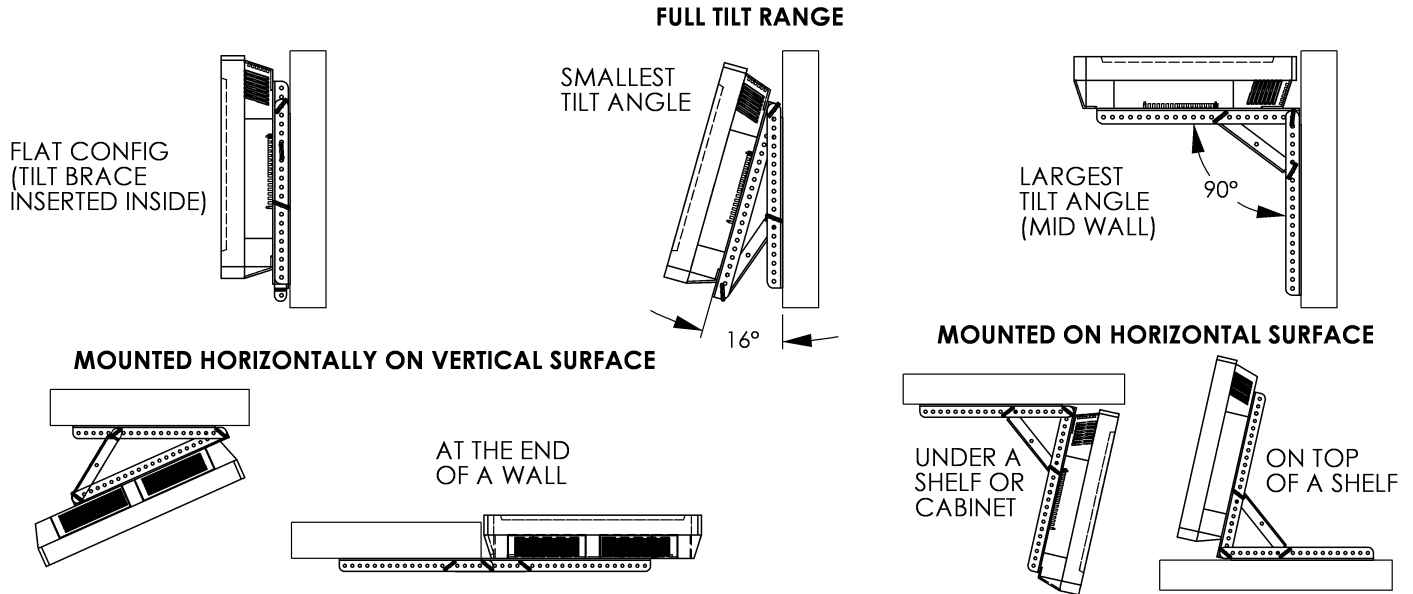
#### PRODUCT SPECIFICATIONS



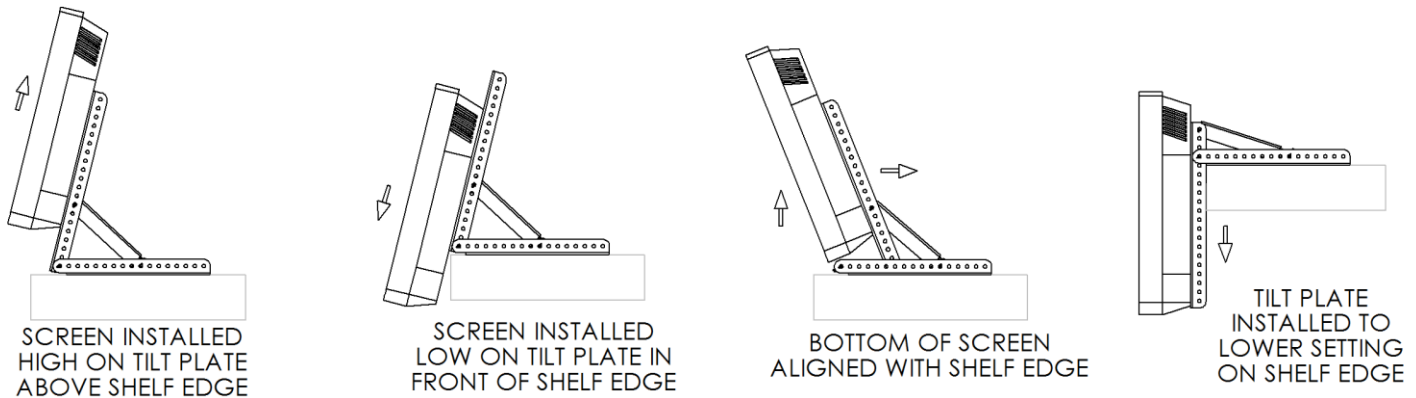
- **PQS** offers several mounting options for medium duty applications. All mounts available with 100mm VESA patterns.
- The assembly supports touch screens, terminals or flat panel monitors up to 35LBs.
- Attaches to any flat horizontal or vertical surface.
- Adjusts without tools to lock the screen at any position or up and down allowing for a wide range of screen locations.
- Made of 14 gauge galvanized steel to resist harsh environments.

### 35 LB Tilting Wall Mount 100mm VESA PN 80942

- This assembly can be oriented and installed in multiple configurations either horizontally or vertically.
- Tilt range is from 18 degrees to 129 degrees measured from the mounting surface.
- Removing the *Tilt Brace* allows you to align the *Tilt Plate* so that it's parallel to the mounting surface.



- The screen height can be adjusted two ways. One way is by simply adjusting the position of the screen along the *Tilt Plate*. The second way is by adjusting where the *Tilt Plate* attaches to the *Base Plate* as shown below.
- It is also possible to install the screen so that it is aligned or set back from the shelf edge as shown.

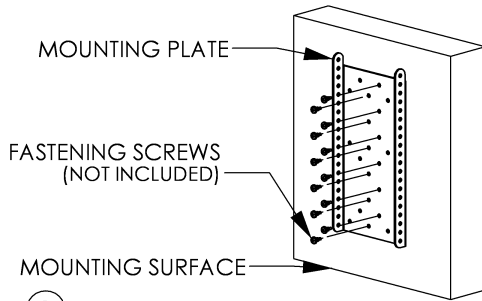


- To order this assembly use part# 80942. This product is also available in a shelf edge mountable version. See part# 80941.
- To order this assembly with a *Custom Fit* hole pattern to accommodate NON VESA compatible screen; use part number 80942 and add the part number suffix found on the *Custom Fit Pan and Tilt Heads* page on our website. The page can be found listed under the *Other Products* section. If the website doesn't show a suffix that represents your screen; then send us your screen and we'll create a *Custom Fit* solution for you.

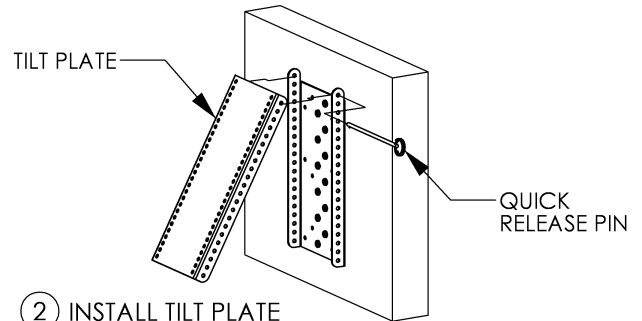
### 35 LB Tilting Wall Mount 100mm VESA PN 80942

#### INSTALLATION INSTRUCTIONS

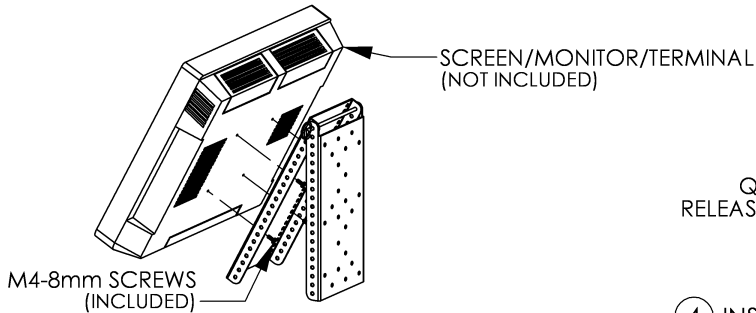
- The installation instructions below are similar for all configurations.



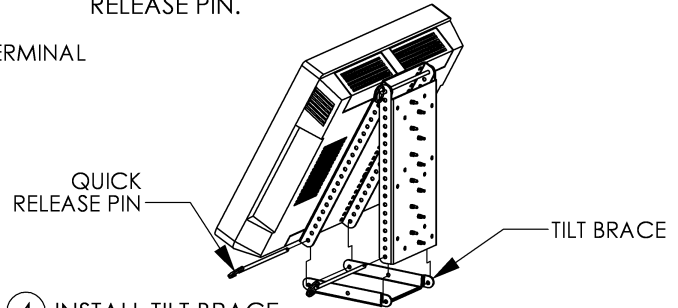
① INSTALL MOUNT PLATE  
USE APPROPRIATE FASTENERS TO SECURE  
MOUNT PLATE TO MOUNTING SURFACE.



② INSTALL TILT PLATE  
ALIGN LOWER MOUNT HOLES IN TILT PLATE WITH  
HOLES IN MOUNT PLATE. SECURE WITH QUICK  
RELEASE PIN.



③ INSTALL SCREEN TO TILT PLATE  
CENTER THE BACK OF SCREEN ON THE TILT PLATE.  
RAISE/LOWER THE SCREEN TO DESIRED HEIGHT.  
ALIGN WITH THE HOLES IN THE TILT PLATE THAT MOST  
CLOSELY MATCH THE DESIRED MOUNT HEIGHT. USE  
SCREWS PROVIDED TO MOUNT SCREEN IN PLACE.



④ INSTALL TILT BRACE  
TILT SCREEN TO THE APPROXIMATE DESIRED POSITION.  
ORIENT TILT BRACE SO THAT THE WIDER END MATES TO THE  
MOUNT PLATE. ALIGN HOLES ON TILT BRACE WITH HOLES  
ON THE MOUNT & TILT PLATES THAT MOST CLOSELY  
MATCHES THE DESIRED TILT. SECURE IN PLACE WITH  
QUICK RELEASE PINS.

### 35 LB Tilting Wall Mount 100mm VESA PN 80942

#### MOUNTING OPTIONS: 35LB CLASS MOUNTING PRODUCTS:

- For non-VESA compatible pan and tilt heads use 80941 and add the part number suffix found on the *Custom Fit Pan and Tilt Heads* page on our website. The page can be found listed under the "Other Products" section.
- **PQS** offers several mounting options for medium duty applications. All mounts available with 100mm VESA patterns. Most are also available with 200x200 & 200x100mm VESA mounting patterns.

