

# PQS

PRACTICAL QUALITY SYSTEMS  
*Fast Custom Manufacturing - Nationwide Installation Services*

## 35LB Pendant/Pedestal Mount w-100mm VESA Pan & Tilt Head PN 80971



NOTE: 35LB Pendant/Pedestal Mount with a 100mm VESA Pan and Tilt head shown with PQS Environmental Monitor Enclosure (PN 80401) in pendant installation. Also available with 200x200mm and 200x100mm VESA pan and tilt heads.

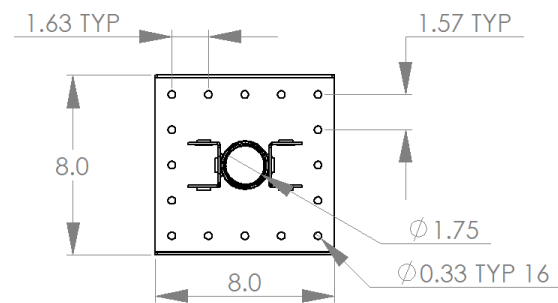
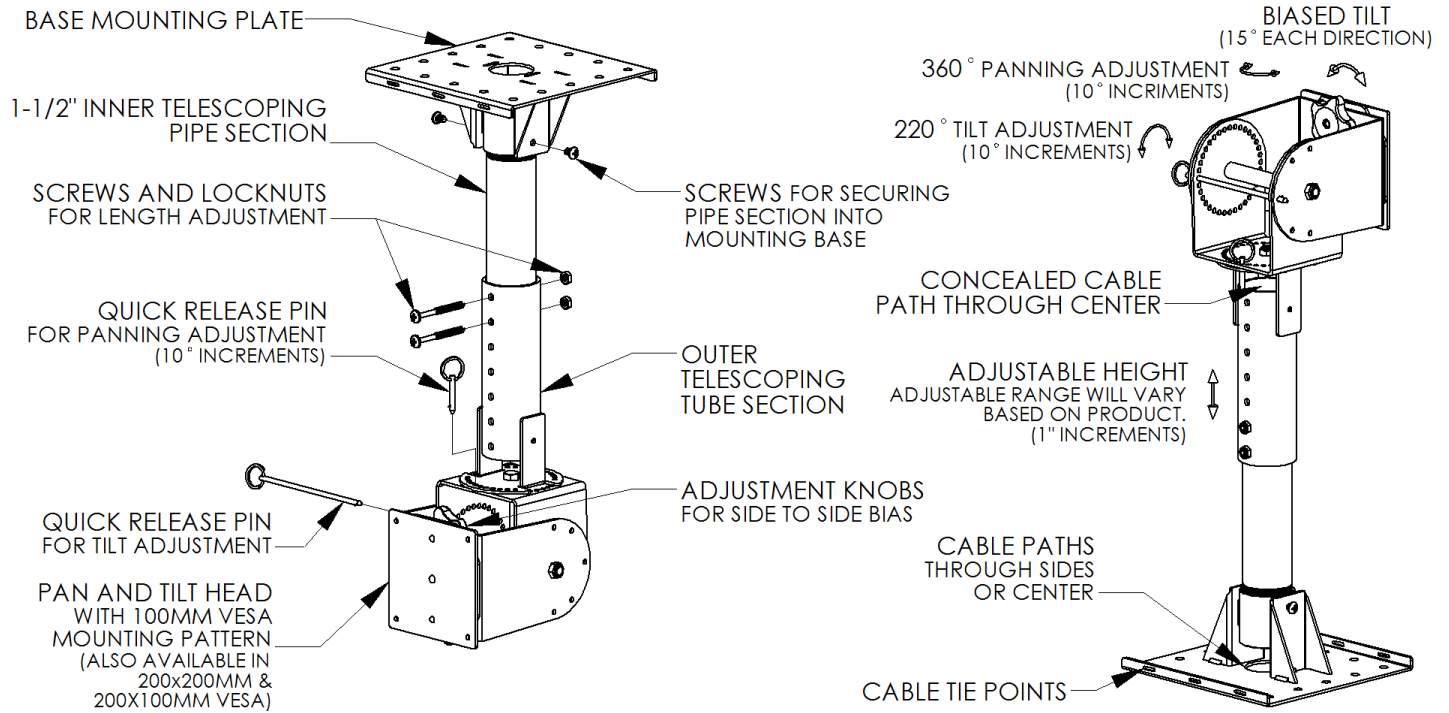
[info@practicalqualitysystems.com](mailto:info@practicalqualitysystems.com)

[WWW.PRACTICALQUALITYSYSTEMS.COM](http://WWW.PRACTICALQUALITYSYSTEMS.COM)

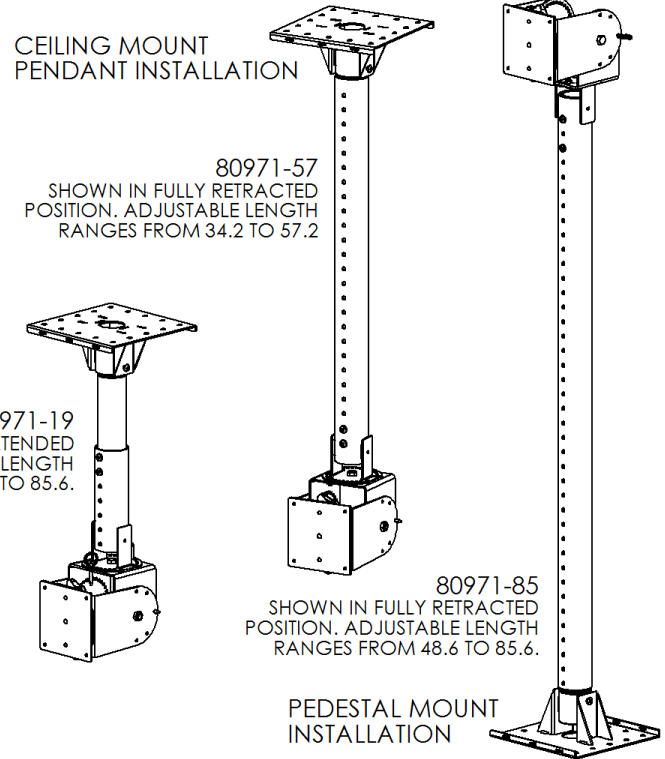
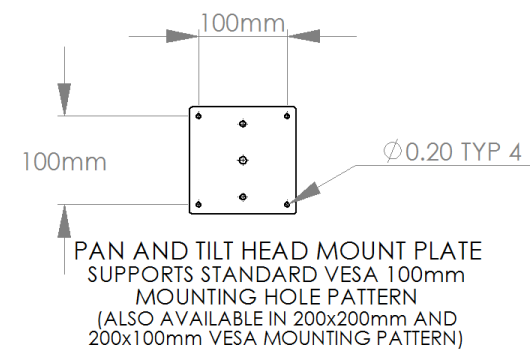
(818) 993-1022

**ALL PRODUCTS PATENT PENDING**

**35LB Pendant/Pedestal Mount w-100mm VESA Pan & Tilt Head PN 80971**

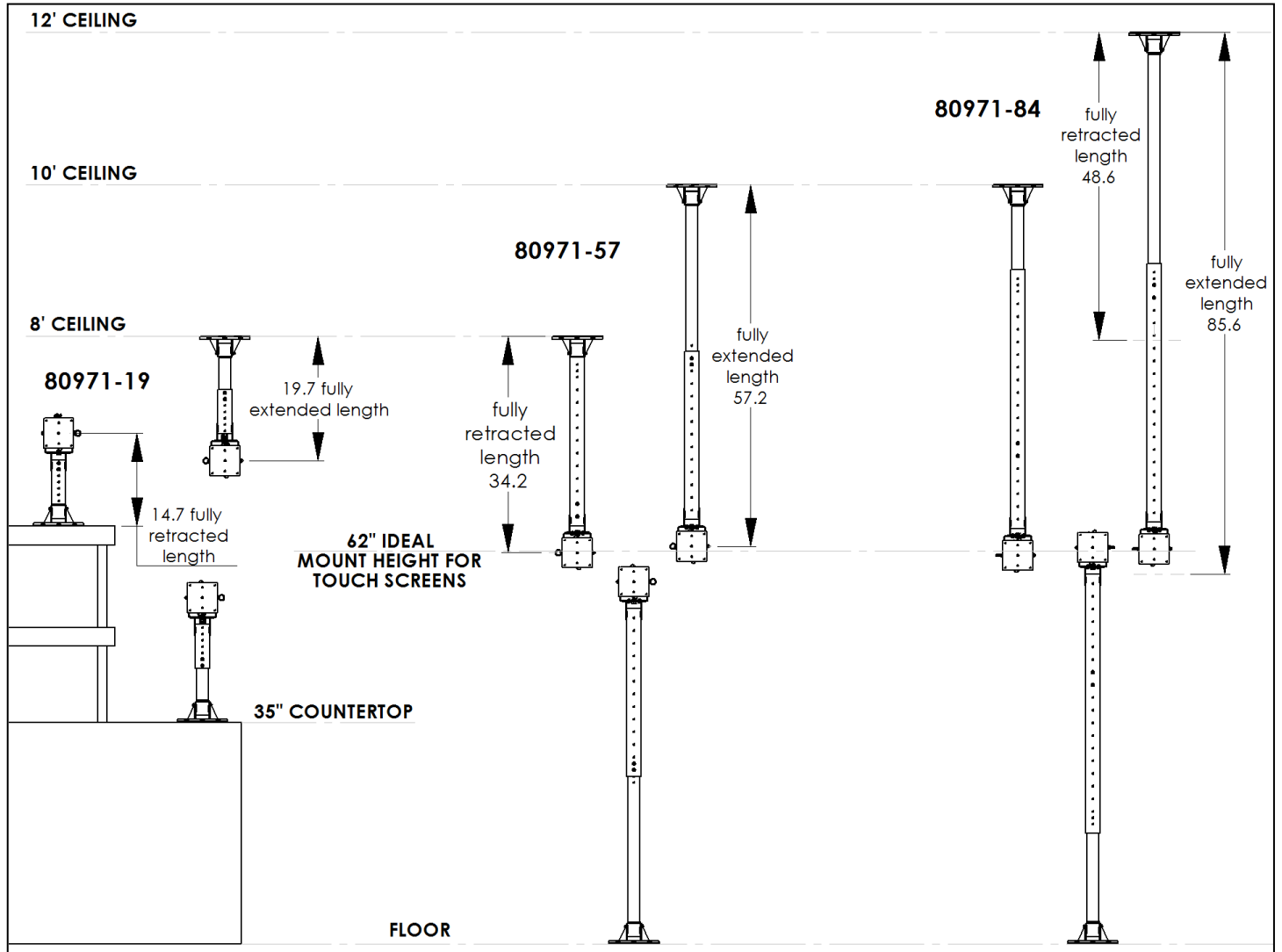


BASE MOUNTING PLATE



NOTE: 35LB Pendant/Pedestal Mount w/100mm VESA Pan and Tilt Head shown in pendant and pedestal mount configurations. All assemblies with NON VESA compatible pan and tilt heads will appear differently. Also available with 200x200mm AND 200x100mm VESA pan and tilt heads.

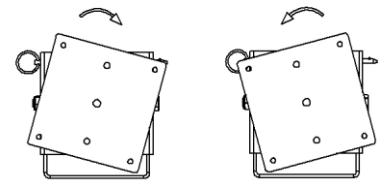
**35LB Pendant/Pedestal Mount w-100mm VESA Pan & Tilt Head PN 80971**



NOTE: Use the illustration above to choose the right product for your installation requirement.

**PRODUCT SPECIFICATIONS**

- Pan and tilt head supports any 100mm VESA compatible screen. For mounting NON VESA compatible screens please refer to the *Custom Fit Pan and Tilt Heads* page on our website found in the *Other Products* section for the most current list of options. If we don't have a compatible pan and tilt head send us a sample of your screen and we'll create a *Custom Fit* solution for you.
- Pan and tilt head adjusts without tools to lock the screen at any position, side to side, or up and down.
- Pan and tilt head also features biased tilt adjustment of 15° towards each direction and locks into position without tools.
- Length of assembly can be adjusted in 1" increments and locked in place using a Phillips screw driver and wrench. See diagram above (as well as table on pg. 5) for range of length on each assembly.
- The assembly supports screens up to 35lbs.



15° BIASED TILT ADJUSTMENT LEFT OR RIGHT

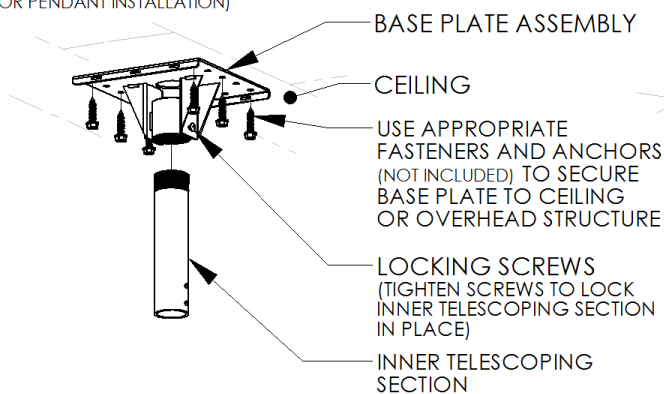
### 35LB Pendant/Pedestal Mount w-100mm VESA Pan & Tilt Head PN 80971

- Attaches to any flat horizontal surface.
- This mounting system can act as a pedestal mount or a pendant mount without having to make any modifications to the assembly.
- All 35LB Pendant/Pedestal Mounts can easily be extended by adding a coupler and a section of common 1-1/2" pipe.
- Wiring and power cables can be concealed by routing them through the hollow telescopic sections and out through the opening in the base coupling.

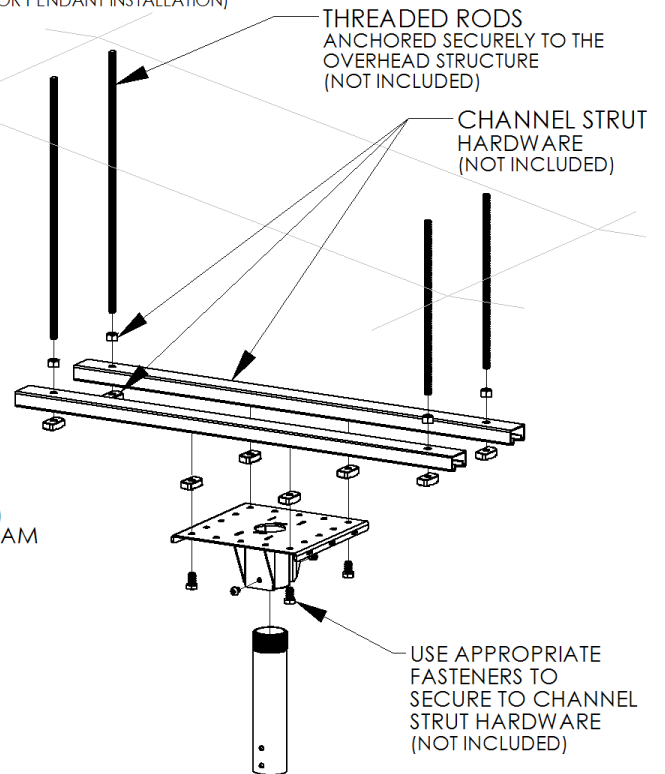
#### INSTALLATION INSTRUCTIONS

#### 1 INSTALLING BASE PLATE ASSEMBLY AND INNER TELESCOPIC THREADED SECTION INSTALLATION STEPS MAY VARY BASED ON INSTALLATION (FOR PENDANT OR PEDESTAL MOUNT INSTALLATIONS)

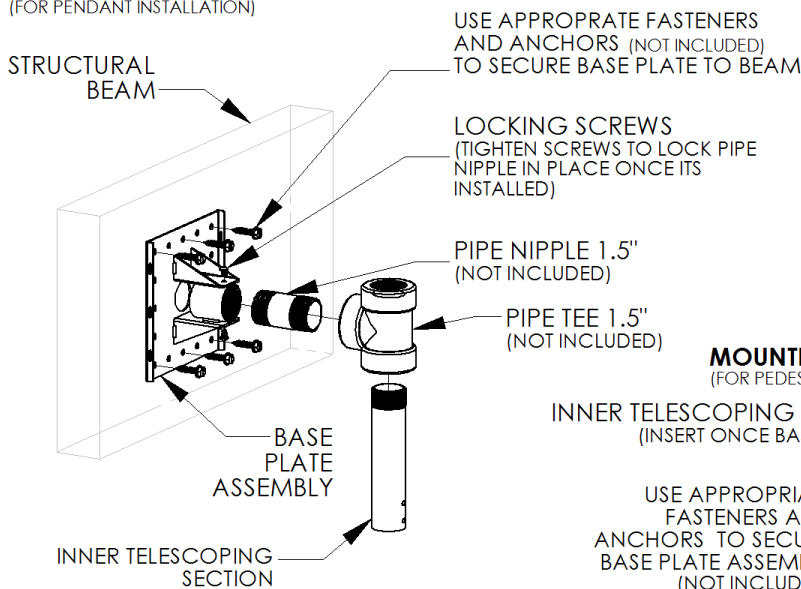
##### MOUNTING TO CEILING OR OVERHEAD STRUCTURE (FOR PENDANT INSTALLATION)



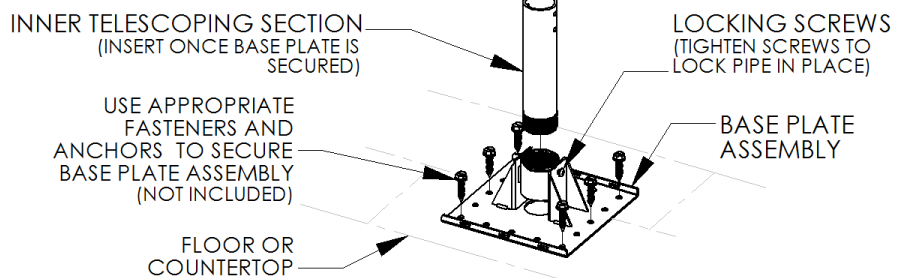
##### METHOD FOR INSTALLING A SUPPORT STRUCTURE (FOR PENDANT INSTALLATION)



##### METHOD FOR MOUNTING TO THE SIDE OF A STRUCTURAL BEAM (FOR PENDANT INSTALLATION)

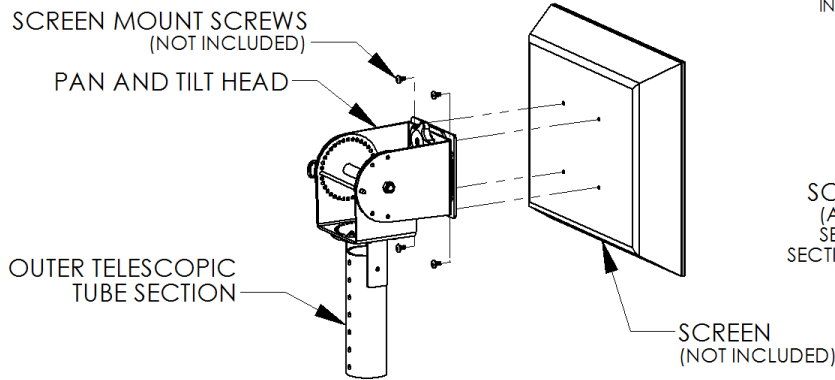


##### MOUNTING TO FLOOR OR COUNTERTOP (FOR PEDESTAL INSTALLATION)

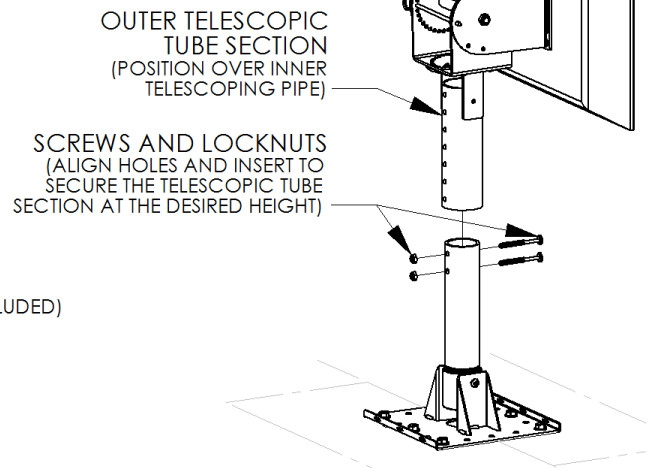


### 35LB Pendant/Pedestal Mount w-100mm VESA Pan & Tilt Head PN 80971

**3 ATTACHING A SCREEN TO THE PAN & TILT HEAD**  
(FOR PEDESTAL OR PENDANT INSTALLATION)



**4 ATTACHING TELESCOPIC SECTION TO BASE MOUNT AND PIPE ASSEMBLY**  
(FOR PEDESTAL OR PENDANT INSTALLATION)



**PRODUCT ASSEMBLIES**

- See table below for product descriptions, ranges and part numbers for *35LB Pendant/Pedestal Mounts* with 100x100mm VESA mounting hole patterns. Table below also includes product descriptions, ranges and part numbers for *35LB Pendant/Pedestal Mounts* with 200x200mm and 200x100mm VESA mounting hole patterns.

PQS PART#	DESCRIPTION	RANGE(inches)
		RETRACTED - EXTENDED
80971-19	35LB Mount w/100x100mm VESA Pan and Tilt Head	14.7 - 19.7
80971-57	35LB Mount w/100x100mm VESA Pan and Tilt Head	34.2 - 57.2
80971-85	35LB Mount w/100x100mm VESA Pan and Tilt Head	48.6 - 85.6
80974-19	35LB Mount w/200x200mm &200/100mm VESA Pan and Tilt Head	14.7 - 19.7
80974-57	35LB Mount w/200x200mm &200/100mm VESA Pan and Tilt Head	34.2 - 57.2
80974-85	35LB Mount w/200x200mm &200/100mm VESA Pan and Tilt Head	48.6 - 85.6

- For NON VESA compatible pan and tilt heads use 80971 and add the part number suffix found on the *Custom Fit Pan and Tilt Heads* page on our website. The page can be found listed under the “*Other Products*” section.
- If the website doesn’t show a suffix that represents your compatible pan and tilt head then send us a sample of your screen and we’ll create a *Custom Fit* solution for you.

### 35LB Pendant/Pedestal Mount w-100mm VESA Pan & Tilt Head PN 80971

#### MOUNTING OPTIONS: 35LB CLASS MOUNTING PRODUCTS:

- **PQS** offers several mounting options for medium duty applications. All mounts available with 100mm VESA patterns. Most are also available with 200x200 and 200x100mm VESA mounting patterns.

