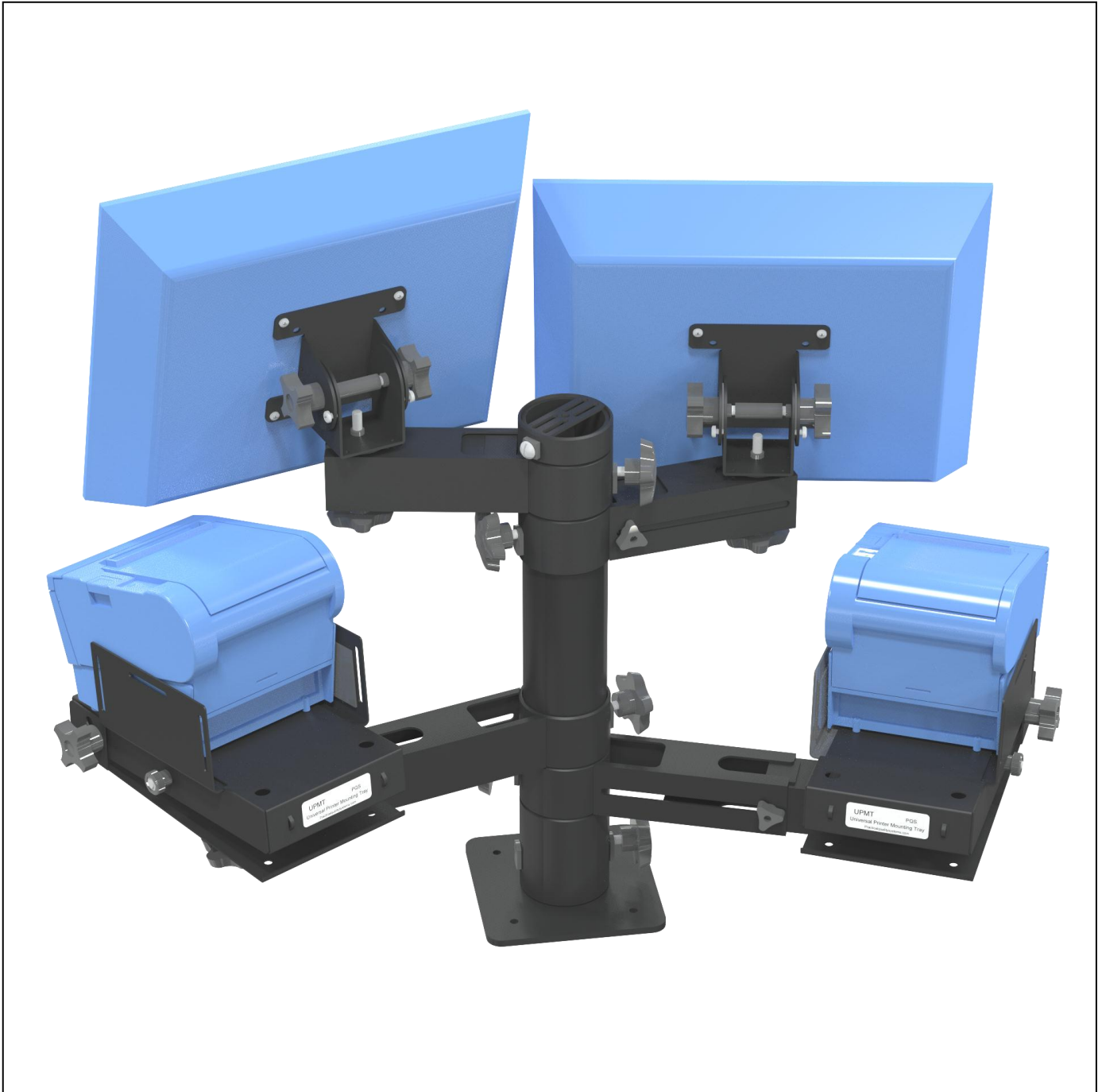


PQS

PRACTICAL QUALITY SYSTEMS
Fast Custom Manufacturing - Nationwide Installation Services

Pedestal Mount with 4 extendable arms 2 screen pan and tilt heads and 2 universal printer mounting trays PN 80175



NOTE: 80175 shown with two 75/100mm VESA screen pan and tilt heads and two universal printer mounting trays. All mounting systems also available for non VESA compatible screens.

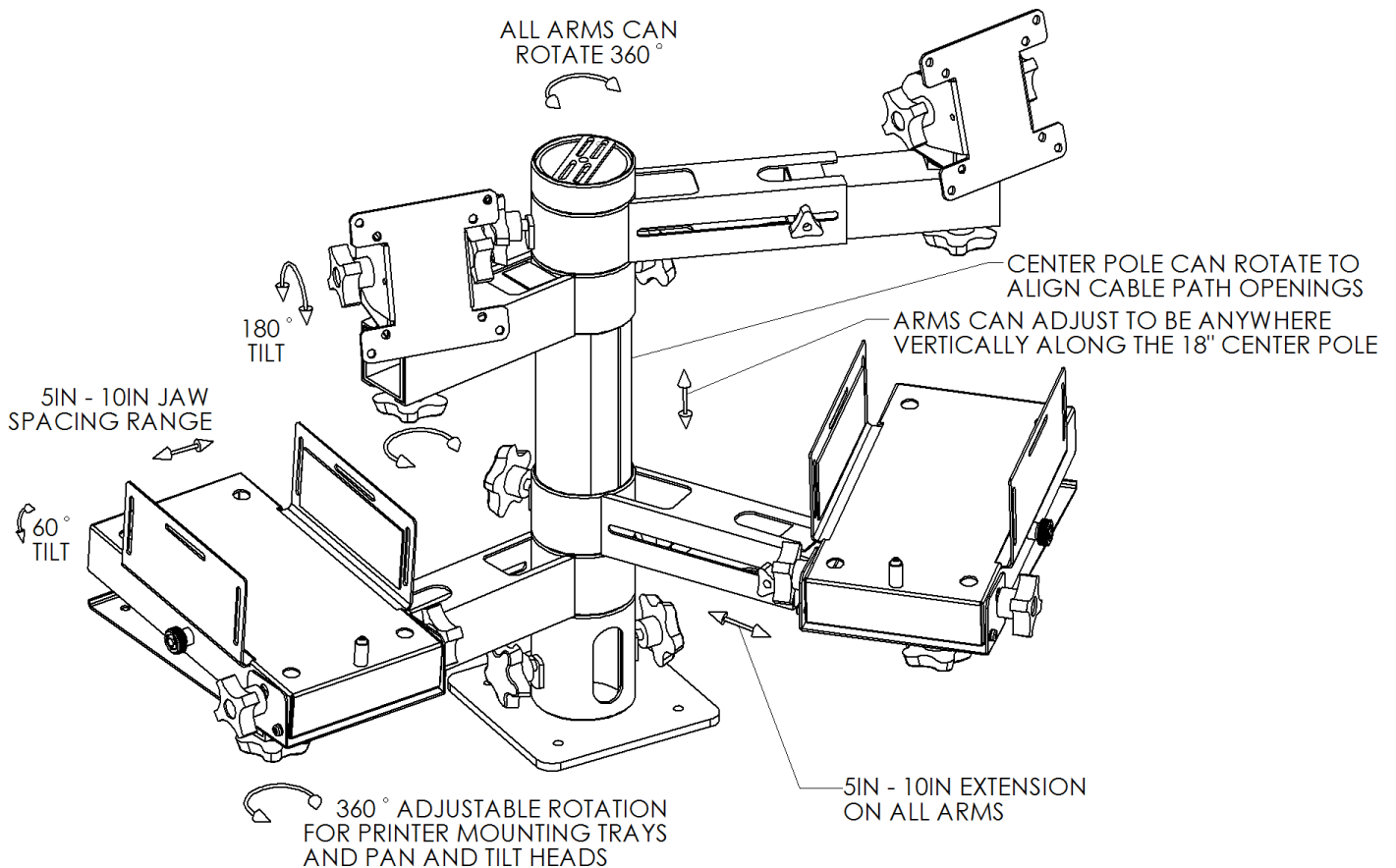
info@practicalqualitysystems.com

WWW.PRACTICALQUALITYSYSTEMS.COM

(818) 993-1022

ALL PRODUCTS PATENT PENDING

Pedestal Mount with 4 extendable arms 2 screen pan and tilt heads and 2 universal printer mounting trays PN 80175



NOTE: 80175 shown with two 75/100mm VESA screen pan and tilt heads and two universal printer mounting trays. All assemblies with non VESA compatible pan and tilt heads will appear differently.

PRODUCT SPECIFICATIONS

- Our *Pedestal System* (with 4 extendable arms 2 screen pan and tilt heads and 2 universal printer mounting trays) is a total mounting solution for all of your point of sale (POS) equipment designed to maximize use of the available counter top space. With this system you can now have two complete terminals and printers and all of their peripheral equipment supported above only six square inches of counter top space.
- Available with pan and tilt heads to support all VESA and NON VESA compatible touch screens, terminals or flat panel monitors. Refer to the *Custom Fit Pan and Tilt Heads* page on our website found in the *Other Products* section for the most current list of options. If we don't have a compatible pan and tilt head send us a sample of your screen and we'll create a *Custom Fit* solution for you.
- The center pedestal section is hollow to permit all of the associated cabling to be routed vertically within it and it features an opening along its entire length. This feature allows the associated cabling to enter at any point along the pedestal and then it can exit at the base from the side or straight out through the bottom of the base.
- The supporting arms can rotate 360° around the pedestal and they can be raised and lowered to be locked down in any position along its entire height. The supporting arms are also telescopic and can extend out from 5" to 10" and will support up to thirty pounds each.

Pedestal Mount with 4 extendable arms 2 screen pan and tilt heads and 2 universal printer mounting trays PN 80175

- Our optional *Cash Drawer Pedestal Mounting Base* (PN 50033) option uses a standard cash drawer as a base for the *PED 1* system. With this solution, no tools are needed for installation and no fasteners are installed into the counter top.
- All of our *Universal Printer Mounting Tray* mounting trays can be attached directly to the end of the supporting arms and then can be tilted or rotated.
- Our screen pan and tilt heads permit touch screens or monitors to be rotated, tilted and then locked down at any desired position.
- The top cap of the pedestal permits the mounting of pole displays or signage.
- Center sections are also available in 18 and 24 inch lengths. Longer custom lengths can also be ordered as needed.
- It is even possible to extend the center section from floor to ceiling to create a freestanding solution to support multiple terminals, printers and cash drawers.
- Most of our modular mounting systems can be easily reconfigured in the field for a different application by either adding or removing a few parts to create a support solution for any mounting location.
- To order this assembly use part number 80175.
- To order this assembly with a *Custom Fit*, NON VESA compatible screen pan and tilt head; use part number 80175 and add the part number suffix found on the *Custom Fit Pan and Tilt Heads* page on our website. The page can be found listed under the *Other Products* section. If the website doesn't show a suffix that represents a type that is compatible with your screen pan and tilt head send us a sample of your screen and we'll create a *Custom Fit* solution for you.

Pedestal Mount with 4 extendable arms 2 screen pan and tilt heads and 2 universal printer mounting trays PN 80175

MOUNTING OPTIONS:

- All of our screen pan tilt heads as well as our *Universal Printer & Keyboard Mounting Tray* assemblies can be used with any of the following mounting systems.

