

PQS**PRACTICAL QUALITY SYSTEMS**
*Fast Custom Manufacturing - Nationwide Installation Services***Work Table 72"W with an Upper Cabinet and a 45"W Lower Cabinet PN 81282**

Includes a 72"W X 30"D Stainless steel table top assembly, 2- Side Support assemblies w/ 4- Leveling Legs , an Upper Shelving System with 2- 64"H Galvanized Vertical Shelf Standards, 2- 64"H Vertical Shelf Standards, a 18"H X 72"W X 14"D Stainless Steel Upper Cabinet assembly with three doors and a 45" wide Lower Cabinet assembly with two doors that have stainless steel fronts, 2- galvanized 44.75"W X 14" D shelves that create one 44.75"W X 28"D shelf, and a Lower Back Panel. When the 45" wide Lower Cabinet is installed below one side of a 72" wide Work Table it creates a 26" wide open space for a chair on the opposite side.



Need it installed? We have nationwide professional installation services available. Just contact us!

info@practicalqualitysystems.com

WWW.PRACTICALQUALITYSYSTEMS.COM

(818) 993-1022

ALL PRODUCTS PATENT PENDING

Introduction for all Work Tables

We currently manufacture two basic sizes of Work Tables; both are 30" deep and 30" tall and are available in widths of 45" and 72". Our Work Tables are constructed entirely of stainless and galvanized steel to resist corrosion and harsh environments. Designed to be extra strong; these tables are engineered with three interior structural support beams under the table top which is further reinforced with welded corners.

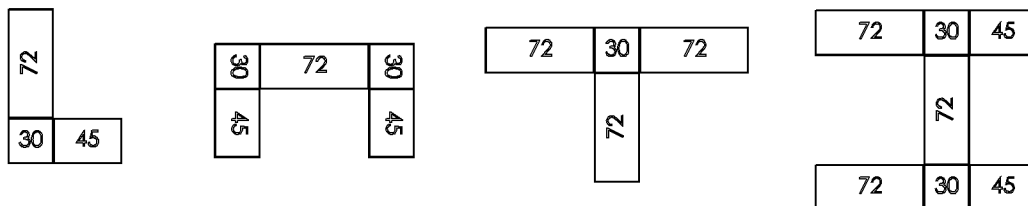
For the ultimate indestructible work surface, add the optional ¼" thick vinyl Table Top Protector. For 45" wide Work Tables order PN 50304, for 72" W Work Tables order PN 50305

Value is added across our entire line of Enclosures, Work Tables and Shelving Systems because they all have been designed to be modular and to be compatible with a wide range of optional equipment. These features insure maximum flexibility when integrating different components to render a custom solution.

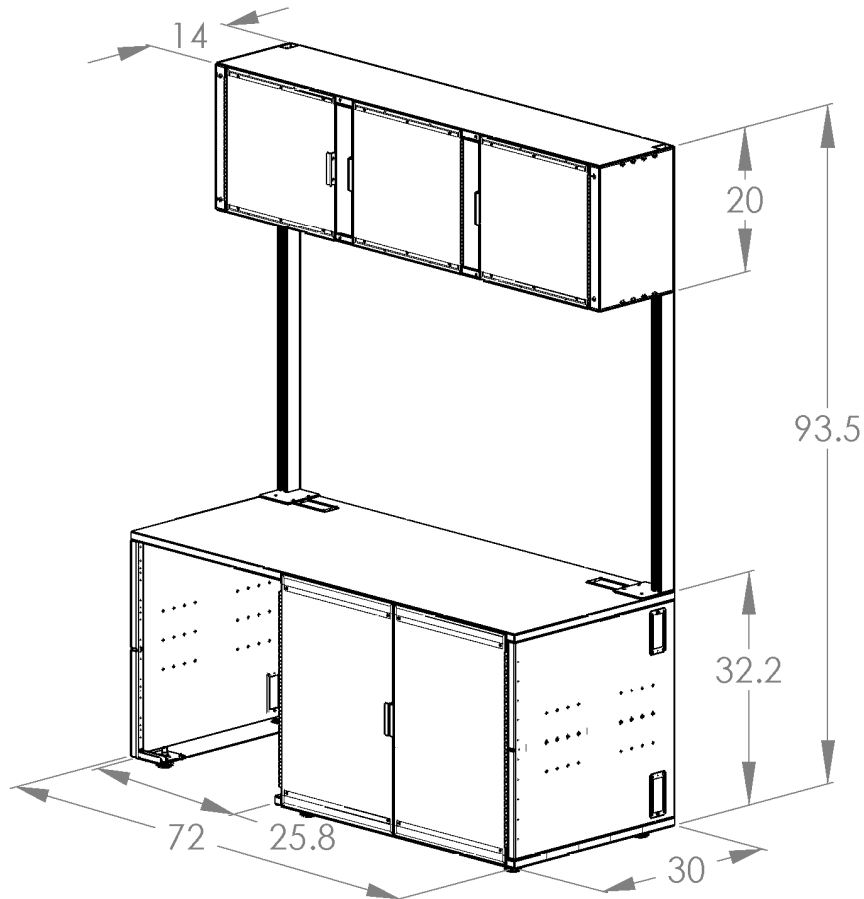
Need more work space? Add a 30" wide Side Table PN 60089 to any 45" or 72"W Work Table.

All Work Tables can be configured with Caster Wheels or they can be Wall mounted.

All of our Enclosures and Work Tables can be bolted together side to side, corner to corner or back to back to create a large variety of customized configurations to fit your space.



CONFIGURATION EXAMPLES

Product Specifications**General Measurements: 72" W x 94"H x 30"D****Weight:**

72 W Work Table w/ 45 W Lower Cabinet & Upper Cabinet Bare = 455 lbs. Note: This weight does not include any options or accessories. Each Work Table will probably contain at least 50 lbs. of accessories.

Dimension Notes:

Refer to engineering drawings for exact dimensions. Please be advised some external assemblies may not be shown in all images.

Engineering Drawing Reference Notes

To view and manipulate 3D models of any assembly; visit www.edrawingsviewer.com and download the free eDrawings viewer software, then open the eDrawing format files (.EASM) found in our Engineering Drawings folders.

For more product dimensional specifications; download the Engineering Drawings folder for files in DWG, PDF and EASM formats on our website from the tool bar on the individual product pages or from our Product Resources page.

User Manual Reference

Refer to manual 10010401-UM for assembly and installation instructions

User manuals are available for download in PDF format on our website from the tool bar on the individual product pages or from our Product Resources page.

Standard Features:**72"wide Work Table Cable Path Openings**

All 72"wide Work Tables feature seven large and convenient Cable Path Openings that are fully adjustable to make the installation of cabling and power cords quick and easy. There are openings near the left and right corners and one in the middle of the rear of the table top and there are two openings near the bottom rear corners of both the left and right side support assemblies.

Heavy Duty Table top is pre machined for attaching options

The table top is made of heavy 16 Gauge Stainless Steel with welded corners. It has been pre marked with small indentations that mark the locations of the 5/16" holes that are needed for adding optional Vertical Shelf Standards to support shelves or an Upper Cabinet.

Side Support assemblies

The Side Supports are designed with integral support pillars for added strength. Each is engineered to be universal and can be configured to be installed either on the right or left side simply by changing where the Side Support Front Brace is attached. To relocate the Side Support Front Brace, remove the three screws that attach it to the Side Support, turn the Side Support upside down and reinstall the Front Brace. Each Side Support includes two adjustable cable paths. The back section where the supports meet the wall has been pre punched with a series of holes to make simple to attach the Side Supports to studs inside the wall that are spaced at the standard of 16" on center.

Lower Back Panel

The Lower Back Panels come in two widths: 45" wide (PN 50240) and 72" wide (PN 50268). The 72" wide Lower Back Panel allows Lower Cabinets to be installed on the right or left of a 72" wide assembly. The panel attaches to the Side Supports, the Lower Shelf, and the rear C-beam to enclose the entire lower rear of the assembly. It includes rows of mounting holes for attaching the panel to structural members which are 16" on center.

Insert Plates

There are four 1/4" thick steel "Insert Plates" installed in each of the four corners of the support beams in the Table top of all Work Tables and on side support assemblies. These plates create "hard points" that add extra strength for attachment of Side Supports, Leveling Legs, Caster Wheels or Shelving Systems.

Standard Features Continued:**Leveling Legs and Optional Caster Wheels**

All Work Tables feature adjustable Leveling Legs that allow quick and easy leveling on uneven surfaces. The foot of each leveling leg includes a movable mounting strap that swivels around the leg and permits simplified attachment to the mounting surface. If a mobile solution is desired, simply remove the Leveling Legs and add the optional Caster Wheel kit- PN 60103. These wheels are intended for temporary use and attach directly to the bottom of the Side Supports. They feature locking brake mechanisms and swivel a full 360 degrees to allow easy movement in any direction.

Included Options:**Lower Cabinet Kit 45"W for 72"wide Work Tables**

Includes two galvanized Side Support assemblies, a Lower Cabinet assembly with two doors that have stainless steel fronts, one galvanized Lower Cabinet bottom assembly, one galvanized Lower Cabinet Back Panel and two 44.75"W X 14" D shelves that create one 44.75"W X 28"D shelf. The shelf has three adjustable positions to create an 18" tall space above or below the shelf or two 14" tall spaces. The Cabinet Doors also feature heavy duty magnetic catches and integral door handles that can be secured with any padlock either keyed or combination type (not included). Cabinet interior dimensions measure approximately 30"H X 44"W X 30" D. When the 45" wide Lower Cabinet is installed below one side of a 72" wide Enclosure it creates a 26"wide open space for a chair on the opposite side.

Upper Cabinet Kit 72"wide w/ 3- Doors

Installs on the Vertical Shelf Standards of any 72"W Shelving System. Includes three Upper Cabinet two door assemblies and two door dividers with stainless steel fronts, two Stainless steel sides, One galvanized Upper Cabinet Back Panel, Two 14" D shelf assemblies with Stainless steel tops to create the top and bottom of the cabinet., four galvanized Shelf Brackets and a hardware kit. The Cabinet Doors also feature heavy duty magnetic catches and integral door handles that can be secured with any padlock either keyed or combination type (not included). Cabinet interior dimensions measure approximately 18"H X 72"W X 14" D

List of all available options and accessories for Work Tables:

Select a preconfigured Work Table or use our line of Options and Accessories to create a customized solution that fits your exact needs.

Pull Out Work Surface

Full size File Drawers

Half Size Drawers (2)

All in One Drawer Set

Drawer Set with Combo Frame (3)

19" Rack Mount Drawer Kits for Lower Cabinets

Lock Bar Kits (2)

VESA Monitor and POS Printer Mounts for Enclosure interiors, Work Tables or Shelving Systems (4)

Cross bars for Shelving Systems for Monitor or Printer Mounts (3)

Bin Boxes (3)

Bin Box Mounting Bars for Bin Boxes for Shelving Systems (2)

Bin Box Mounting Bars for Enclosure interiors (3)

Shelving System 64" H for above Work Tables (2)

Additional Upper Shelf Kits (4)

Additional Lower Shelf Kits (2)

Side Table and Corner Junction

Wall Mount Kits for Enclosures and Work Tables (2)

Free Standing Kits for Counter Top Enclosures (2)

Caster Wheel Kit

Lower Cabinet Kits for Counter Top Enclosures (3)

Lower Cabinet Kits for Free Standing Enclosures or Work Tables (3)

Upper Cabinet Kits (2)

Fluorescent Strip Lights (2)

Multiple Outlet Power Strips 36"L (2)

Modular Ventilation Systems and Fans (2)

Table Top Protectors (2)