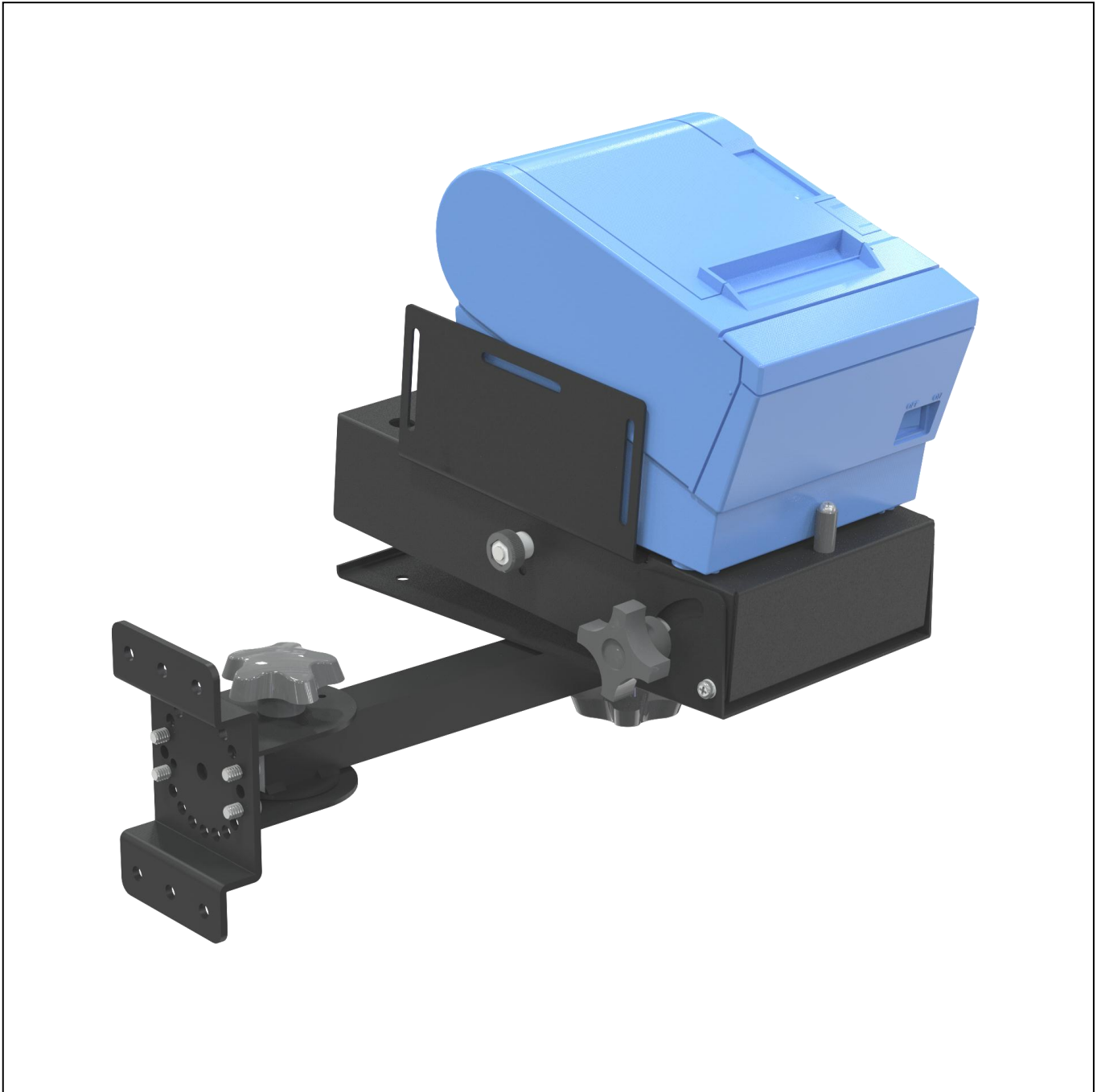


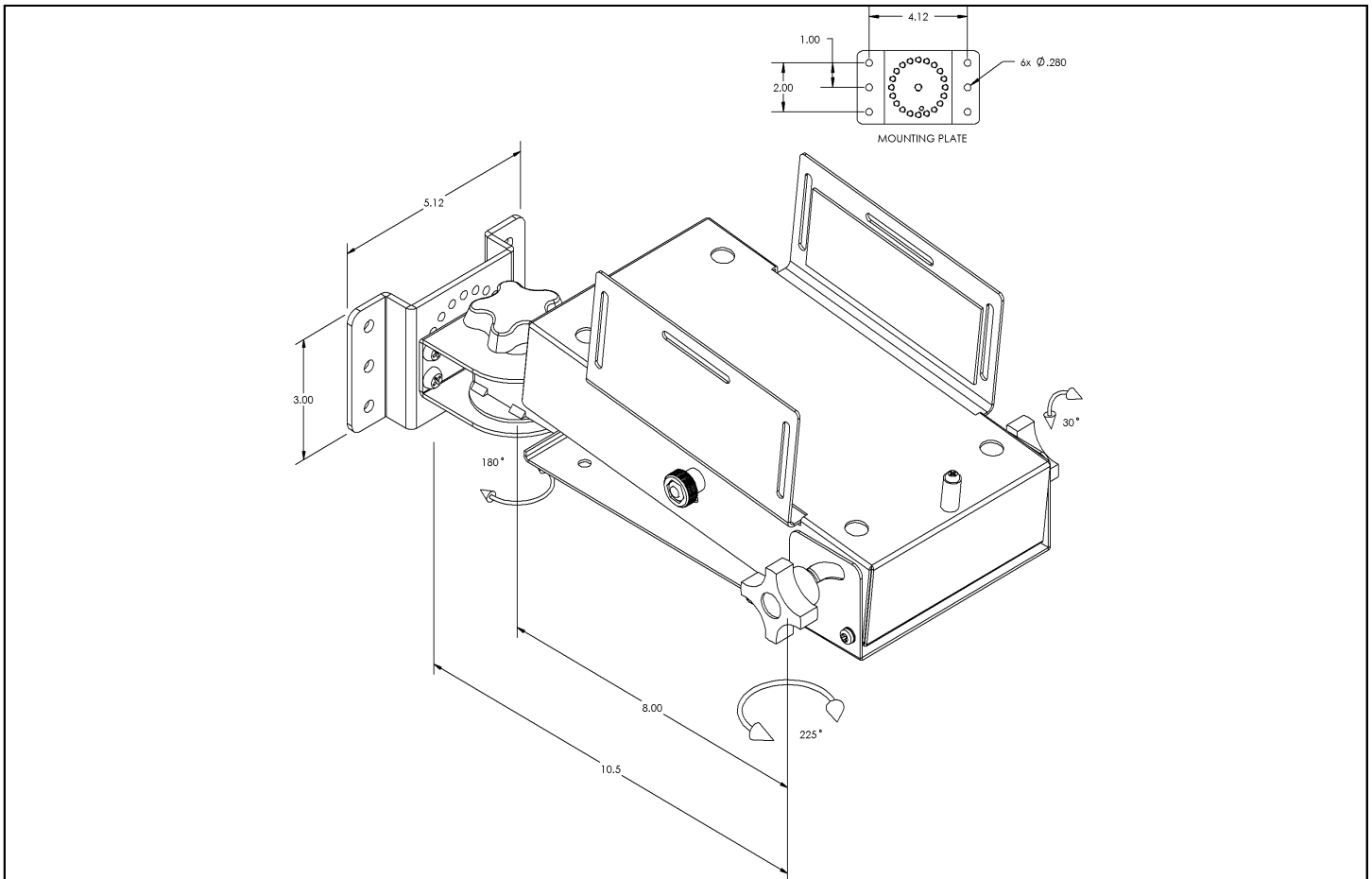
PQS

PRACTICAL QUALITY SYSTEMS
Fast Custom Manufacturing - Nationwide Installation Services

Wall Mount w/ 8" arm and a universal printer mounting tray PN 80002



Wall Mount w/ 8" arm and a universal printer mounting tray PN 80002



PRODUCT SPECIFICATIONS

- The sides of the printer tray adjust without tools to grip the sides of any printer from 5" to 9 1/2" wide.
- Attaches to a wall or any other flat vertical surface.
- Attaches to a shelf or any other flat horizontal surface.
- The printer tray can be tilted forward, rotated and locked into position without tools.
- The position of the 8" arm adjusts without tools and permits the printer tray to travel horizontally, allowing a range of positioning locations.
- For ceiling or pole mounting, the *single arm mounting plate* attaches to any 3 1/2" or smaller OD pipe with U bolts.
- The position of the arm can also be locked more securely for the long term by tightening the arm locking screw with a Phillips screw driver.
- The *Universal Printer Mounting Tray* also makes a great telephone mount.
- Add an optional *three arm mounting plate* and another arm with a pan and tilt head to support a terminal right next to the printer.
- A support solution for any mounting location. Most of the mounting arm assemblies can be easily reconfigured in the field for a different application by either adding or removing a few parts.
- Each arm supports up to 15 lbs.

Wall Mount w/ 8" arm and a universal printer mounting tray PN 80002

- All wall mountable assemblies can be ordered with an optional *Stud Bridge Mounting Plate* (PN 50360) that supports up to three arms and attaches to wall studs spaced at 16" on center.
- All wall mountable assemblies can be ordered with an optional *Pole Mounting Plate* (PN 50386) that supports up to three arms and attaches to any pole up to 8" diameter or column up to 24".
- For assembly instructions see the *User Manual* which can be downloaded from the *Product Resources* page on our website.
- To order this assembly use part number 80002.

MOUNTING OPTIONS:

- Universal Printer Mounting Tray and Universal Keyboard Mounting Tray assemblies as well as all our screen and pan tilt heads can be used with any of the following mounting systems.

