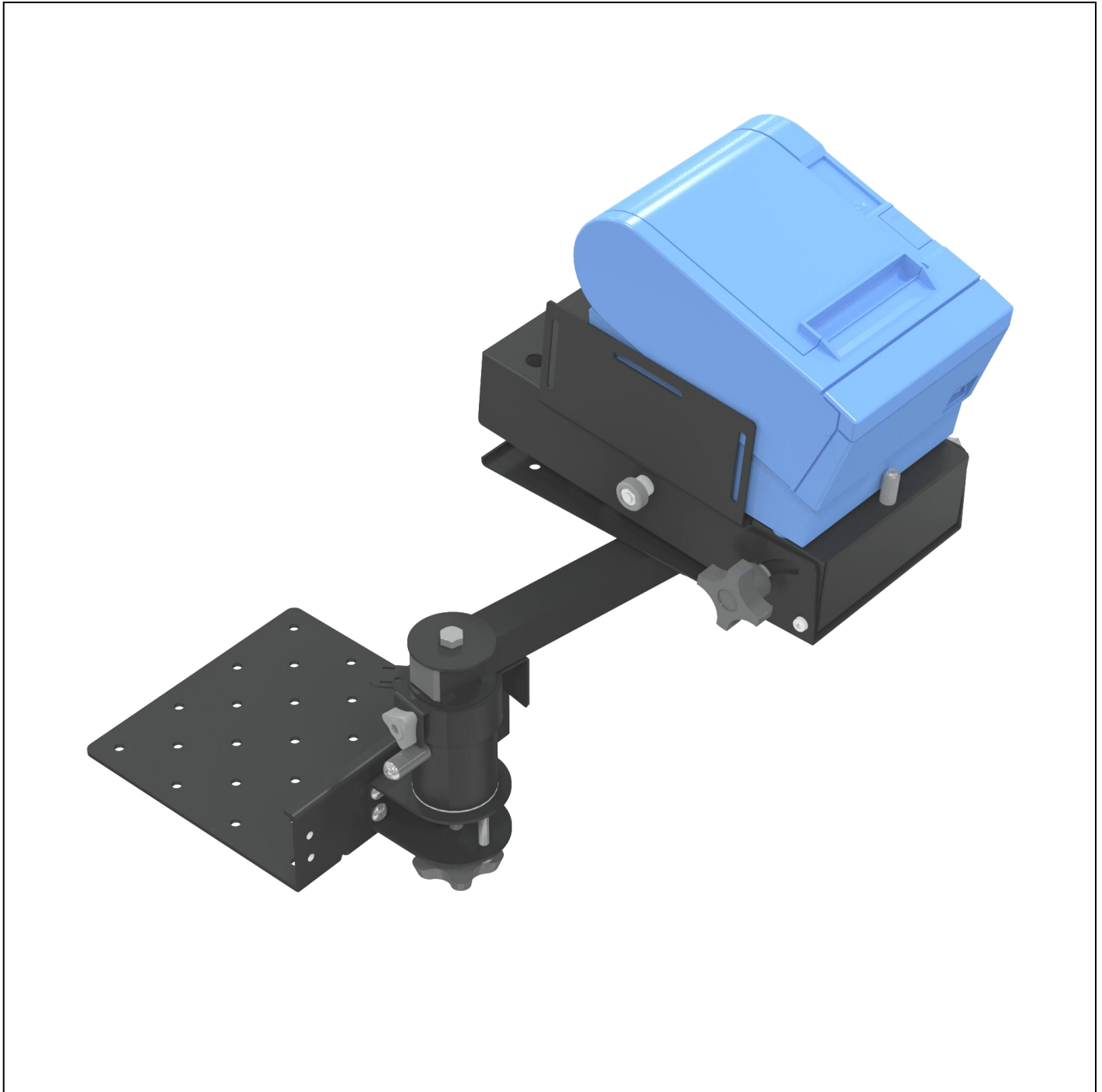


# PQS

PRACTICAL QUALITY SYSTEMS  
Fast Custom Manufacturing - Nationwide Installation Services

Under Counter Mount w/ 6" or 3" riser, 8" arm, and a universal printer mounting tray  
PN 80244 - 80245



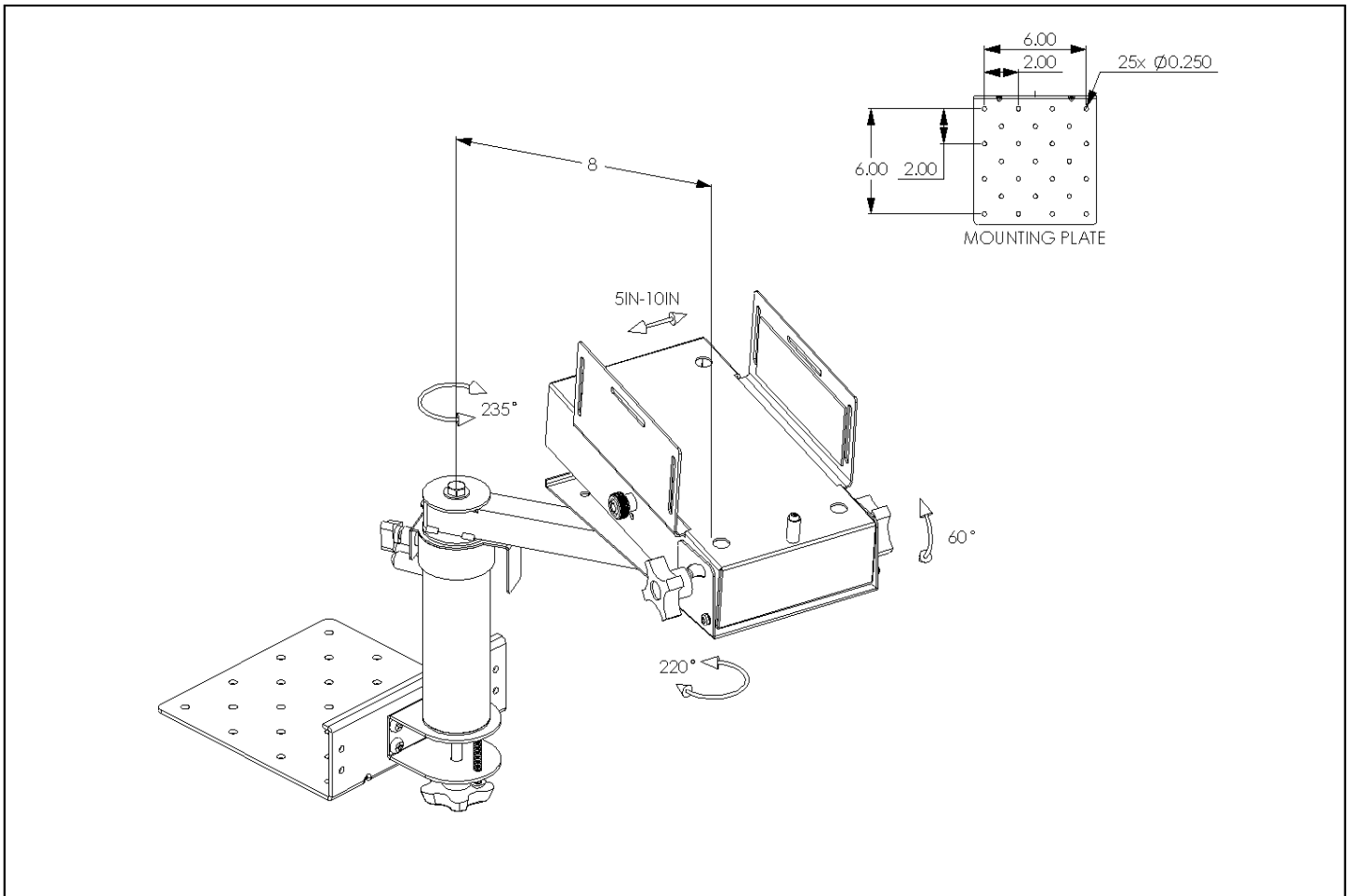
NOTE: 80245 with a 3" riser and a *Universal Printer Mounting Tray* shown.

[info@practicalqualitysystems.com](mailto:info@practicalqualitysystems.com) [WWW.PRACTICALQUALITYSYSTEMS.COM](http://WWW.PRACTICALQUALITYSYSTEMS.COM)

(818) 993-1022

**ALL PRODUCTS PATENT PENDING**

**Under Counter Mount w/ 6" or 3" riser, 8" arm, and a universal printer mounting tray  
PN 80244 - 80245**



NOTE: 80244 with a 6" riser and a *Universal Printer Mounting Tray* shown.

#### PRODUCT SPECIFICATIONS

- Attaches underneath of a counter top, a shelf or any other flat horizontal surface.
- The sides of the *Universal Printer Mounting Tray* adjust without tools to grip the sides of any printer from 5" to 9 1/2" wide.
- The *Universal Printer Mounting Tray* can be tilted forward, rotated and locked into position without tools.
- In some cases it is recommended to install a screen on a 6 inch riser and printer on a 3 inch riser.
- The 3" or 6" risers elevate the 8" arms above the mounting surface and allow the printer to travel horizontally and permit a wide range of positioning locations.
- The arms can rotate freely or be locked in any position horizontally without tools at the riser cap.
- Integral stop details on the riser and arm can be located at any setting to prevent cable damage when the arm supporting the printer is rotated around the riser.
- The *Universal Printer Mounting Tray* can be easily removed from the arm and attached directly to the top of the riser.

**Under Counter Mount w/ 6" or 3" riser, 8" arm, and a universal printer mounting tray  
PN 80244 – 80245**

- The riser cap incorporates a cable tie point to secure the cables so that they will travel safely as the arm is rotated.
- The *Universal Printer Mounting Tray* also makes a great telephone mount.
- Most of our modular mounting systems can be easily reconfigured in the field for a different application by either adding or removing a few parts to create a support solution for any mounting location.
- Please specify either 3" or 6" riser(s) when ordering.
- Each arm supports up to 15 lbs.
- For assembly instructions see the user manual which can be downloaded from the *Product Resources* page or from the top of the info page on our website.

PRODUCT ASSEMBLIES

See descriptions for the different product assemblies below to determine which best suites your needs.

- Under Counter Mount w/ 6" riser, 8" arm, and a *Universal Printer Mounting Tray* 80244
- Under Counter Mount w/ 3" riser, 8" arm, and a *Universal Printer Mounting Tray* 80245

**Under Counter Mount w/ 6" or 3" riser, 8" arm, and a universal printer mounting tray  
PN 80244 - 80245**

**MOUNTING OPTIONS:**

- All of our screen pan tilt heads as well as our *Universal Printer & Keyboard Mounting Tray* assemblies can be used with any of the following mounting systems.

