

PQS

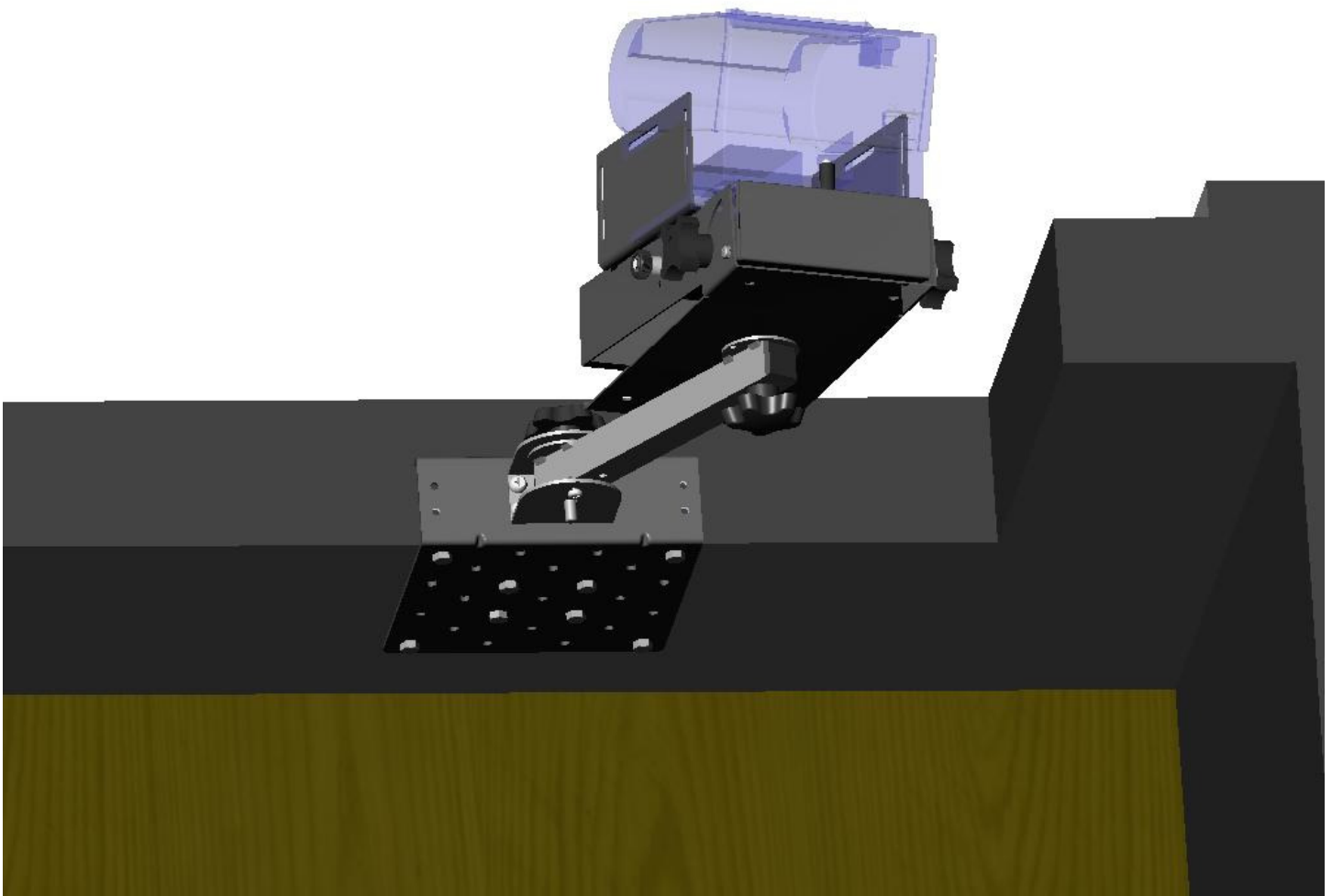
PRACTICAL QUALITY SYSTEMS

Fast Custom Manufacturing - Nationwide Installation Services

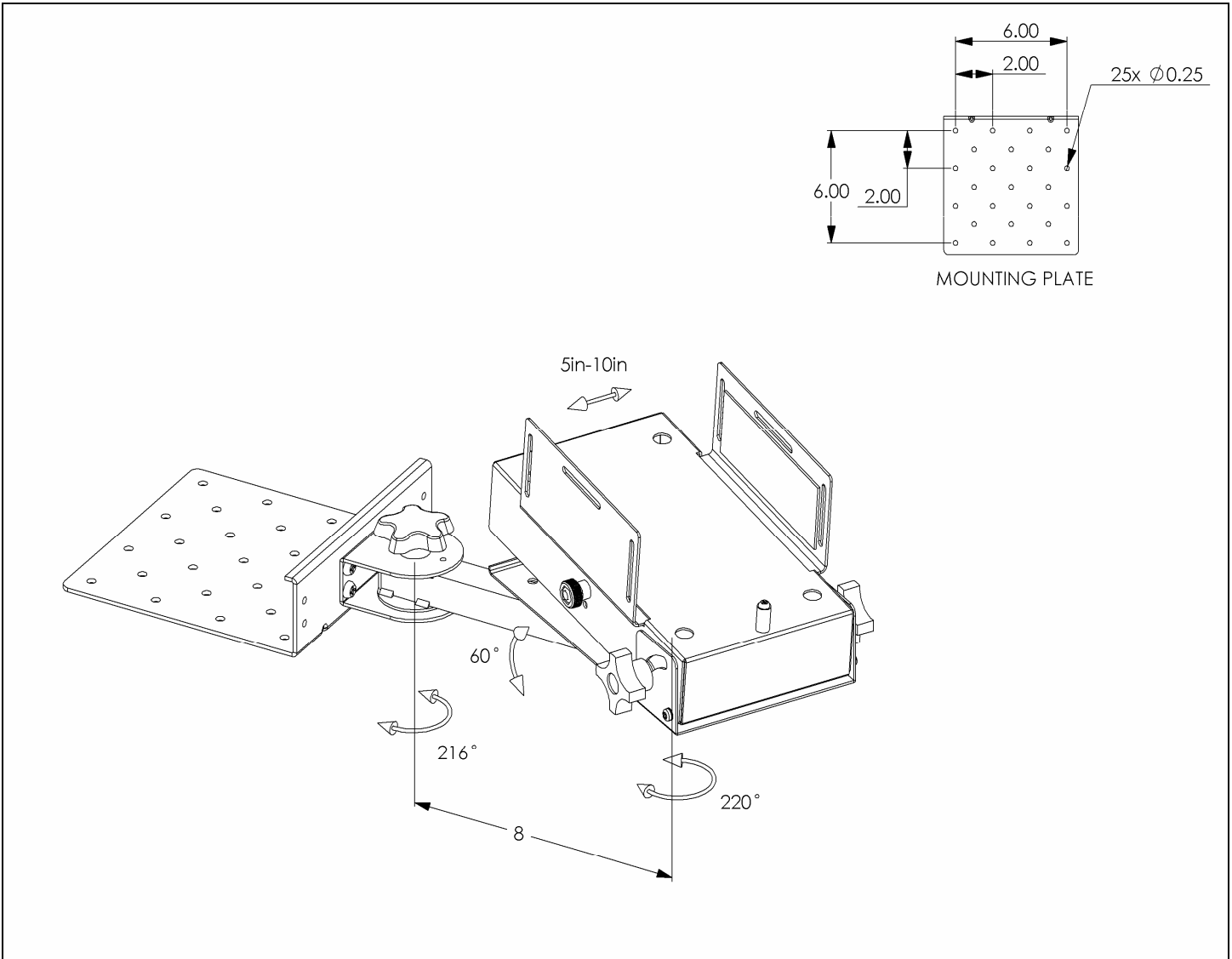
UVHM-UC-UPMT

PN 80202

A single position under counter mounting plate with one 8" arm and a universal printer mounting tray



A single position under counter mounting plate with one 8" arm and a universal printer mounting tray



A single position under counter mounting plate with one 8" arm and a universal printer mounting tray

PRODUCT SPECIFICATIONS

- The sides of the printer tray adjust without tools to grip the sides of any printer from 5" to 9 1/2" wide.
- Attaches underneath of a counter top, a shelf or any other flat horizontal surface.
- The printer tray can be tilted forward, rotated and locked into position without tools.
- The position of the 8" arm adjusts without tools and permits the printer tray to travel horizontally and allows a range of positioning locations.
- The position of the arm can be locked more securely for the long term by tightening the arm locking screw with a Phillips screw driver.
- The UPMT also makes a great telephone mount.
- The UC mounting plate permits attachment of a second optional arm and a variety of different tilt heads to support any VESA compatible touch screen, terminal or flat panel monitor right next to the printer.
- This assembly is part of the UVHM system which includes many components that can be mixed and matched to create a support solution for any mounting location. Most of the UVHM assemblies can be easily reconfigured in the field for a different application by either adding or deleting a few parts.
- Each arm supports up to 15 lbs.