



**PRACTICAL QUALITY SYSTEMS**  
*Fast Custom Manufacturing - Nationwide Installation Services*

**Wall Mount w/ 8" arm and a *Custom Fit* pan and tilt head for Partner Tech EM200 PN 80000-401**



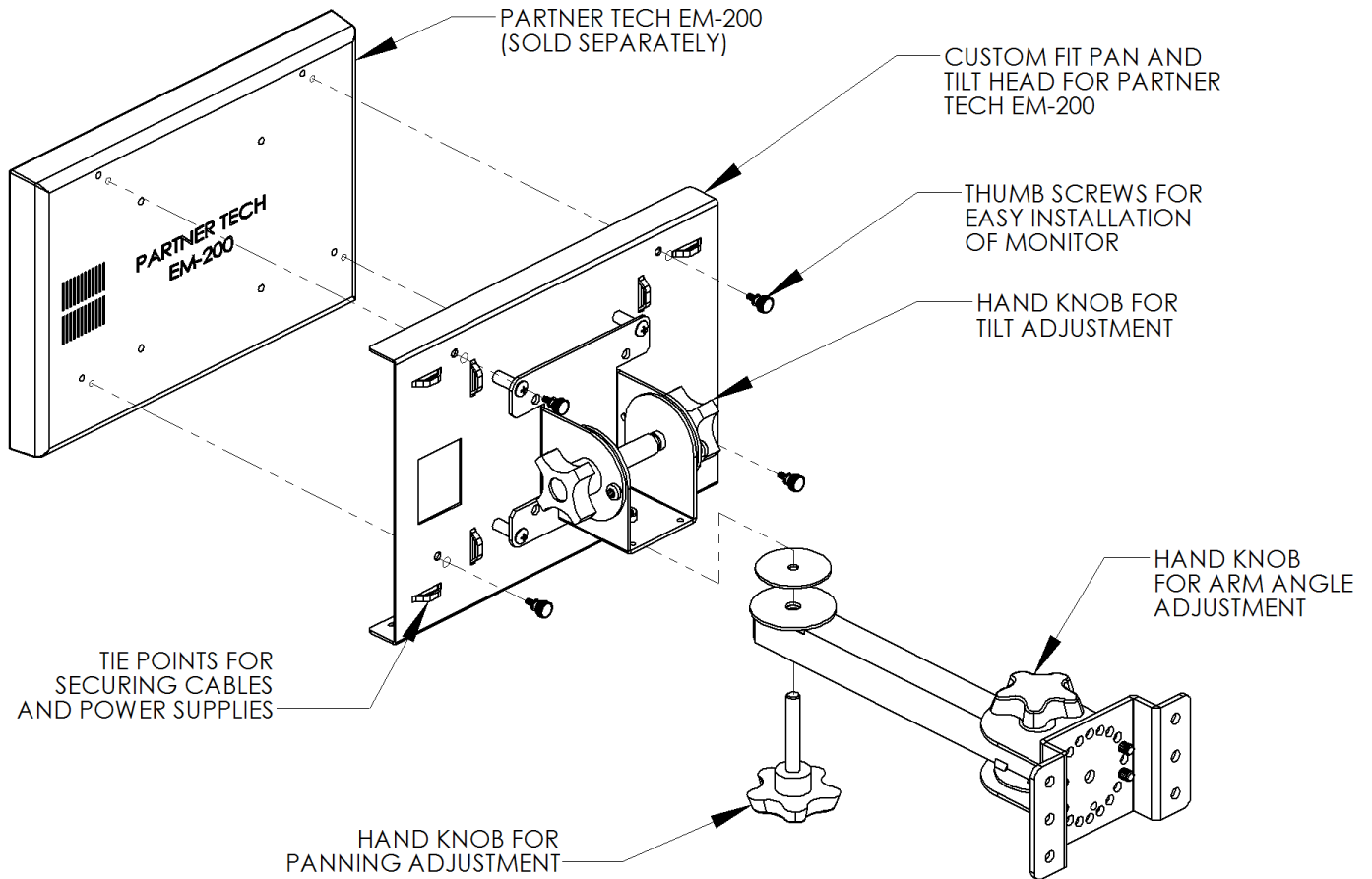
NOTE: 80000-401 with a *Custom Fit* pan and tilt head for a Partner Tech EM200 touch screen. All mounting systems are also available for VESA compatible screens.

[info@practicalqualitysystems.com](mailto:info@practicalqualitysystems.com) [WWW.PRACTICALQUALITYSYSTEMS.COM](http://WWW.PRACTICALQUALITYSYSTEMS.COM)

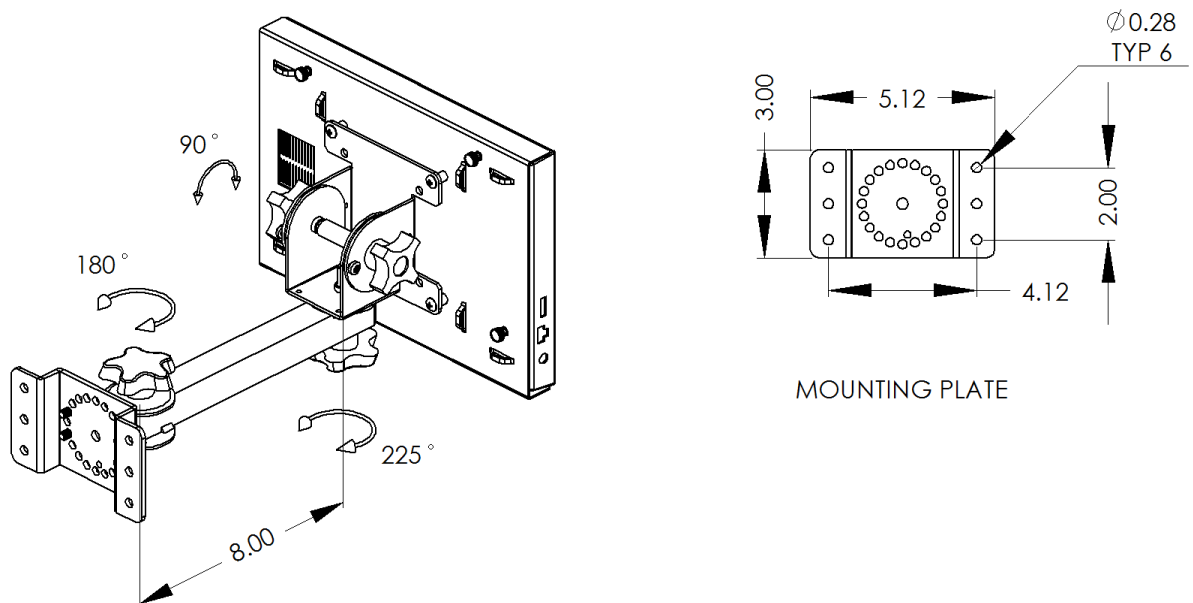
(818) 993-1022

**ALL PRODUCTS PATENT PENDING**

Wall Mount w/ 8" arm and a *Custom Fit* pan and tilt head for Partner Tech EM200 PN 80000-401



NOTE: 80000-401 with a *Custom Fit* pan and tilt head for a Partner Tech EM200 touch screen. All assemblies with NON VESA compatible pan and tilt heads will appear differently.



Range of motion and mounting plate detail for assembly 80000-401.

**Wall Mount w/ 8" arm and a *Custom Fit* pan and tilt head for Partner Tech EM200 PN 80000-401**

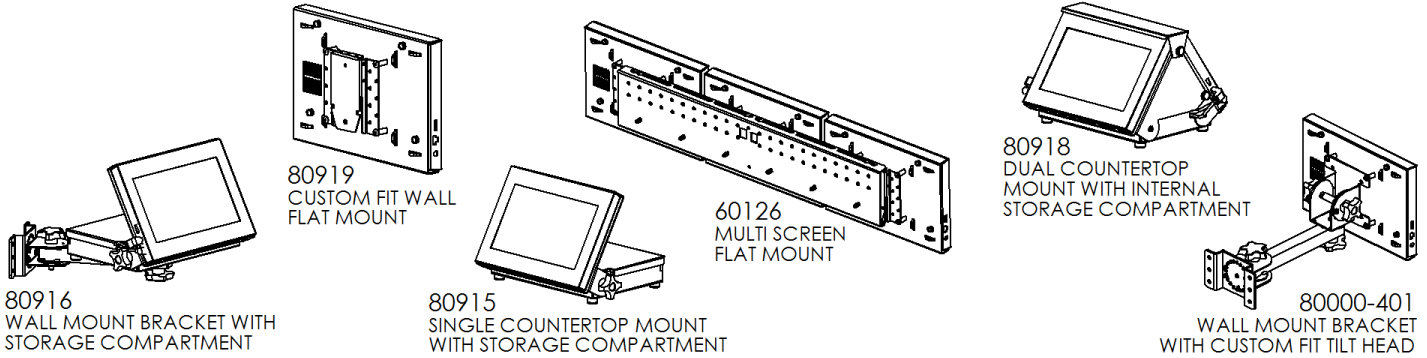
## PRODUCT SPECIFICATIONS

- Available with pan and tilt heads to support all VESA and NON VESA compatible touch screens, terminals or flat panel monitors. Refer to the *Custom Fit Pan and Tilt Heads* page on our website found in the *Other Products* section for the most current list of options. If we don't have a compatible pan and tilt head; send us a sample of your screen and we'll create a custom fit solution for you.
- The assembly includes a *Custom Fit* pan and tilt head to support a Partner Tech EM200 touch screen monitor.
- Attaches to a wall or any other flat vertical surface.
- Attaches to a shelf or any other flat horizontal surface.
- The *Custom Fit* pan and tilt head adjusts without tools to lock the screen at any position, side to side, or up and down.
- The position of the 8" arm adjusts without tools and permits the pan and tilt head to travel horizontally, allowing a wide range of screen locations.
- For ceiling or pole mounting, the *single arm mounting plate* attaches to any 3 1/2" or smaller OD pipe with U bolts.
- The position of the pan and tilt head can also be locked more securely for the long term by tightening locking screws on the pan and tilt head with a Phillips screw driver.
- The position of the arm can also be locked more securely for the long term by tightening the arm locking screw with a Phillips screw driver.
- Add an optional *three arm mounting plate* and another arm with a *Universal Printer Mounting Tray* (PN 80300) to support a printer right next to the terminal.
- Each arm supports up to 15 lbs.
- Most of our modular mounting systems can be easily reconfigured in the field for a different application by either adding or removing a few parts to create a support solution for any mounting location.
- For assembly instructions see the user manual which can be downloaded from the *Product Resources* page on our website.
- All wall mountable assemblies can be ordered with an optional *Stud Bridge Mounting Plate* (PN 50360) that supports up to three arms and attaches to wall studs spaced at 16" on center.
- All wall mountable assemblies can be ordered with an optional *Pole Mounting Plate* (PN 50386) that supports up to three arms and attaches to any pole up to 8" diameter or column up to 24".
- To order this assembly use part number 80000-401.
- Available with pan and tilt heads to support all VESA and NON VESA compatible touch screens, terminals or flat panel monitors. Refer to the *Custom Fit Pan and Tilt Heads* page on our website found in the *Other Products* section for the most current list of options. If the website doesn't show a suffix that represents your compatible pan and tilt head then send us a sample of your screen and we'll create a *Custom Fit* solution for you.

Wall Mount w/ 8" arm and a Custom Fit pan and tilt head for Partner Tech EM200 PN 80000-401

MOUNTING OPTIONS:

- Mounting options for Partner Tech EM-200 touch screen monitors also include a *Wall Mount with Storage Compartment* (PN 80916), *Custom Fit Flat Mount* (PN 80919), single (PN 80915) and double sided (PN 80918) *Countertop Mounts*, *Multi Screen Flat Mount Bar* (PN 60126), or as just the *Wall Mount Bracket with Custom Fit pan and tilt head* (PN 80000-401).



- All of our screen pan and tilt heads can be used with any of the following mounting systems.

