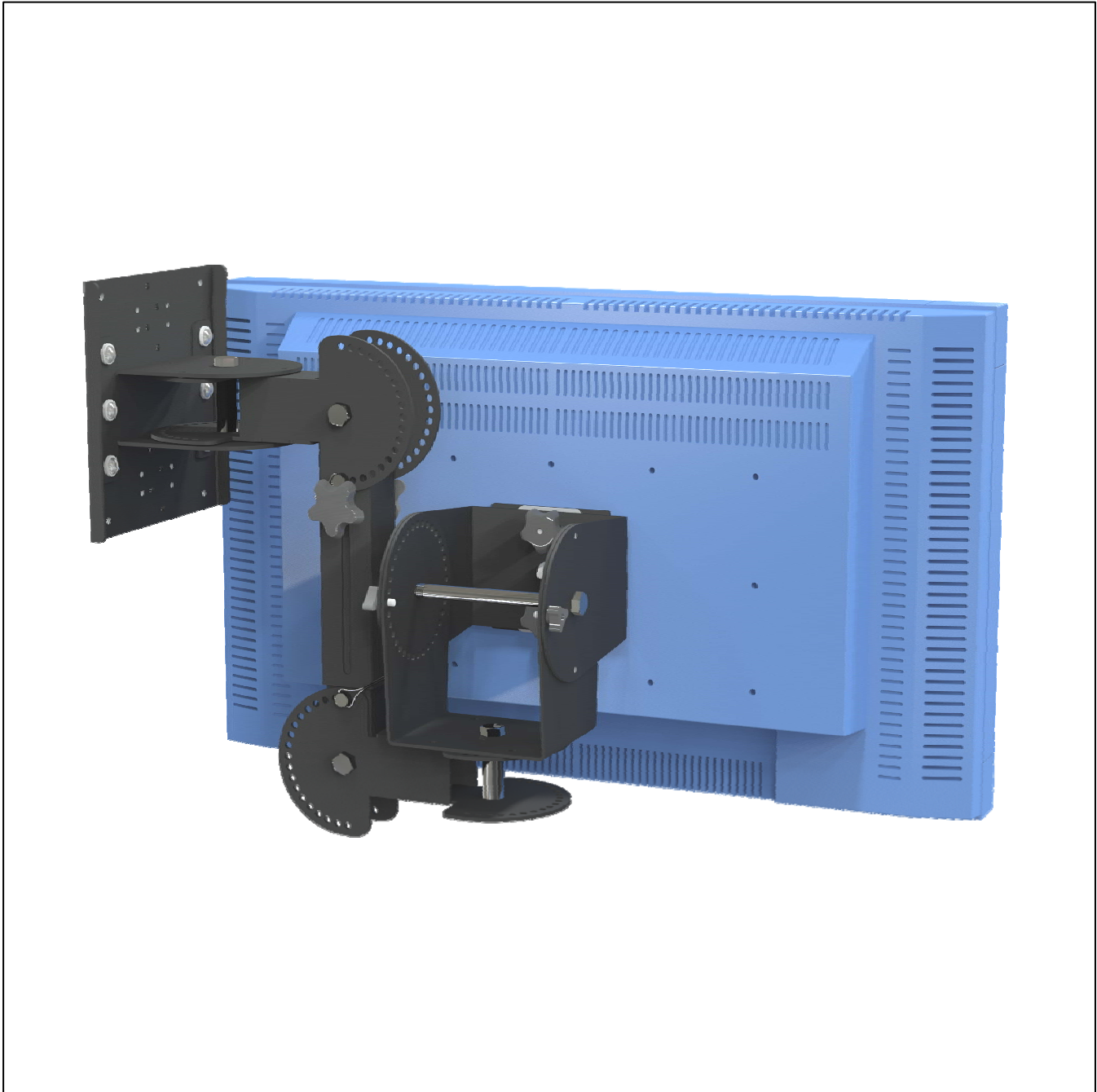




PRACTICAL QUALITY SYSTEMS
Fast Custom Manufacturing - Nationwide Installation Services

7-AXIS SINGLE MOUNTING BRACKET w/VESA 100mm or 200mm PAN & TILT HEAD PN 80950 & 80951



NOTE: PN 80950 shown with VESA 100mm pan and tilt head and (NEC_LCD3215) 32in LCD display. Also available in standard 200x200mm, 200x100mm VESA compatible pan and tilt heads (PN 80951).

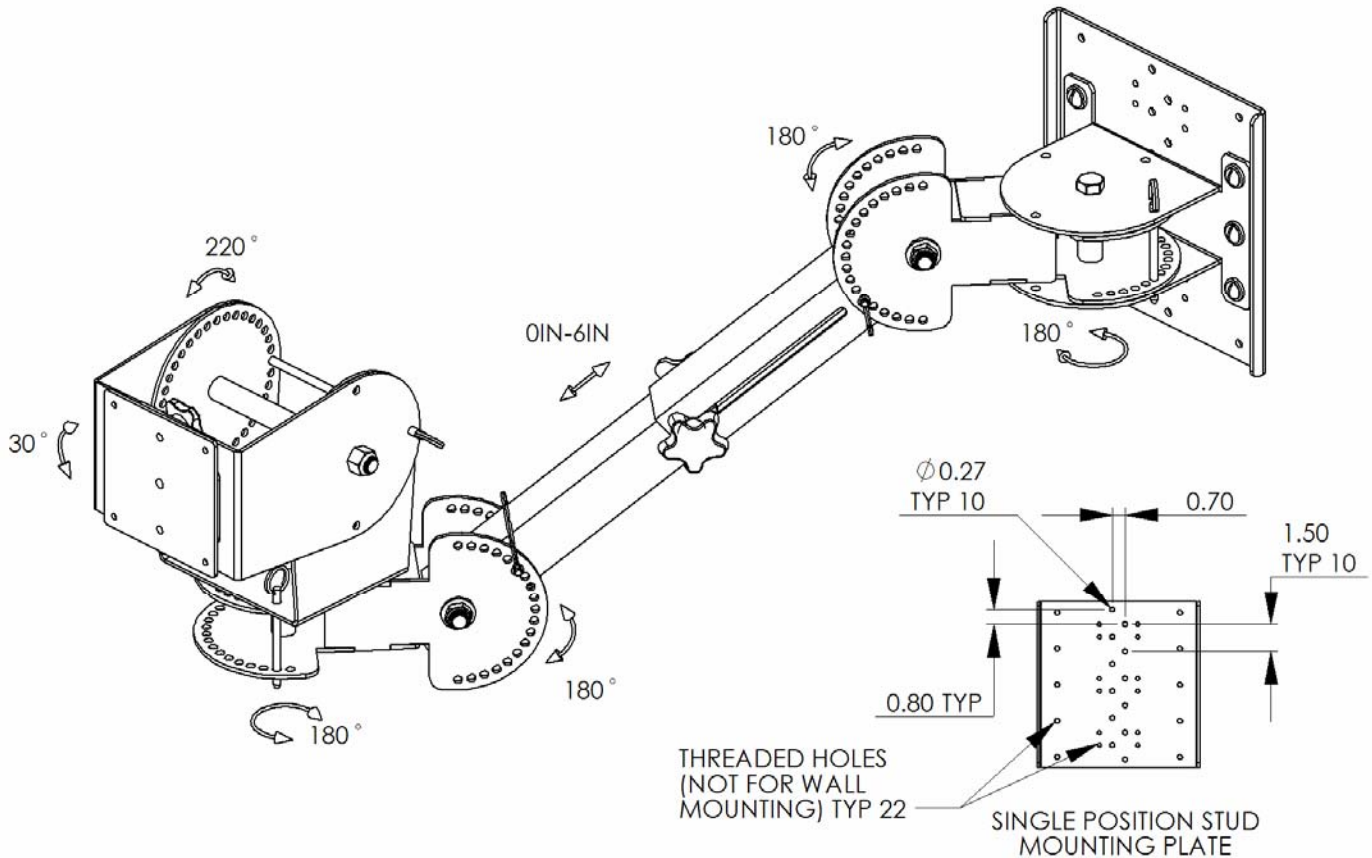
info@practicalqualitysystems.com

WWW.PRACTICALQUALITYSYSTEMS.COM

(818) 993-1022

ALL PRODUCTS PATENT PENDING

7-AXIS SINGLE MOUNTING BRACKET w/VESA 100mm or 200mm PAN & TILT HEAD PN 80950 & 80951

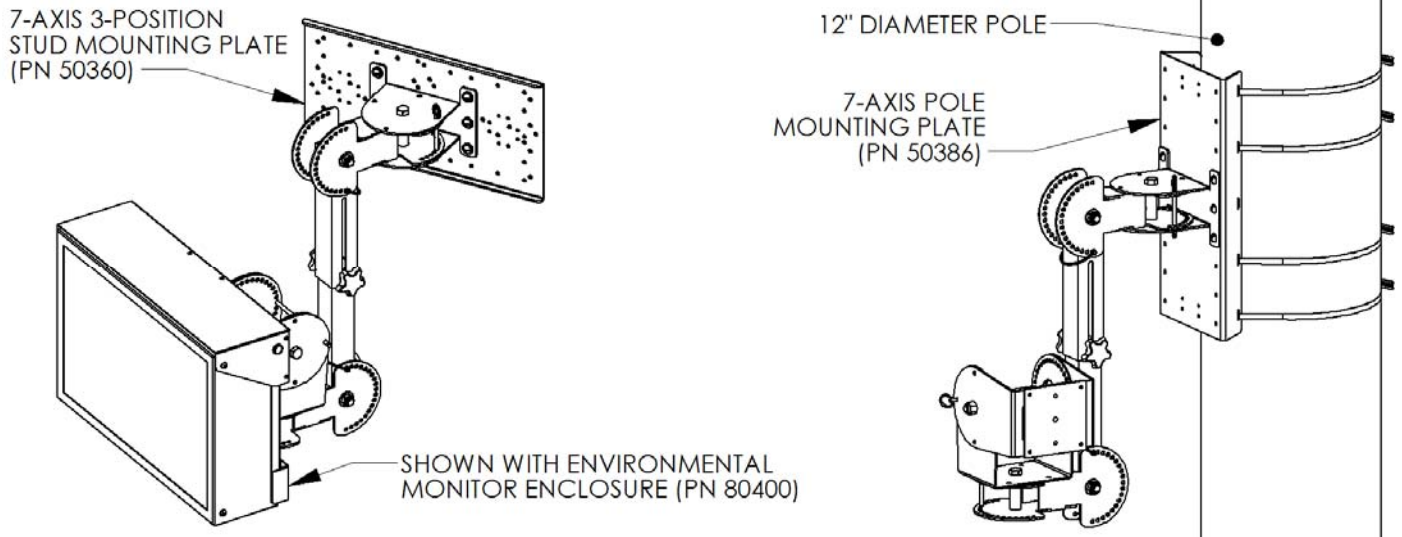


NOTE: PN 80950 shown with VESA 100mm pan and tilt head. Also available in standard 200x200mm, 200x100mm VESA compatible pan and tilt head (PN 80951).

PRODUCT SPECIFICATIONS

- Supports any screen up to 50lbs with 100/100mm VESA mounting pattern (PN 80950), or 100/200mm and 200/200mm VESA mounting pattern (PN 80951).
- Attaches to a wall or any other flat vertical surface.
- Pan and tilt heads adjust to any position side to side or up and down and secured in place by inserting lock pins all without requiring the use of tools.
- Pan and tilt heads also feature biased tilt adjustment 15° towards each direction and locks into position without requiring the use of tools.
- The outward and downward angle of the arm is adjustable at the top and bottom ends of the arm with special *Offset Brackets* that use lock pins to set a wide range of selectable angles.
- The horizontal position of the arm is adjustable at the top end of the arm with a special *Offset Bracket* that uses a single lock pin to set a wide range of selectable angles.
- Maximum horizontal arm extension from the mounting surface is 37.5" including 6" of adjustable travel.
- This mount can also be reconfigured once mounted to reach upward and outward from the mounting surface.

7-AXIS SINGLE MOUNTING BRACKET w/VESA 100mm or 200mm PAN & TILT HEAD PN 80950 & 80951



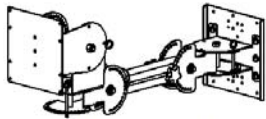
Note: 7-Axis Mount (PN 80950) shown with 3-Position Stud Bridge Plate (PN 50360) and 17-19" Environmental Monitor Enclosure (PN 80400). 7-Axis Mount (PN 80950) on Pole Mounting Plate shown mounted to a 12" diameter pole (PN 50386).

- Optional *Stud Bridge Mounting Plate* (PN 50360) attaches to wall studs spaced at 16" on center, or centered on a horizontal/vertical stud, and can support one or two arms.
- The optional *Pole Mounting Plate* (PN 50386) attaches to any pole up to 8" diameter or column up to 24" and can support one or two arms.
- *7-axis Mounting Brackets* are also available in single or dual *Post/Pole Mount* configuration for either 100/100mm VESA pan and tilt heads (PN 80955 single or PN80957 dual) or 100/200mm and 200/200mm VESA pan and tilt heads (PN 80956 single or PN 80958 dual). All come standard with *Pole Mounting Plate* (PN 50386).
- For assembly instructions see the *User Manual* which can be downloaded from the *Product Resources* page on our website.
- To order this assembly with a 100mm VESA compatible pan and tilt head use part number 80950.
- To order this assembly with a 100/200mm or 200/200 VESA compatible pan and tilt head use part number 80951.
- To order this assembly with a *Custom Fit*, non VESA compatible tilt head use part number 80950 and add the part number suffix found on the *Custom Fit Pan and Tilt Heads* page on our website. The page can be found listed under the *Other Products* section. If the website doesn't show a suffix that represents your compatible pan and tilt head then send us a sample of your screen and we'll create a *Custom Fit* solution for you.

7-AXIS SINGLE MOUNTING BRACKET w/VESA 100mm or 200mm PAN & TILT HEAD PN 80950 & 80951

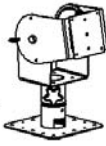
HEAVY DUTY MOUNTING PRODUCTS:

- **PQS** offers many mounting options for heavier duty applications.

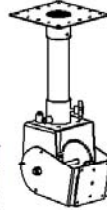


7-AXIS MOUNT
(PN 80950 & 80951)

PENDANT/PEDESTAL
MOUNT (PN 80960)



PENDANT/PEDESTAL MOUNT
w/9.5" EXTENSION
(PN 80960-9.5) - OTHER LENGTHS AVAILABLE



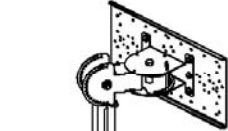
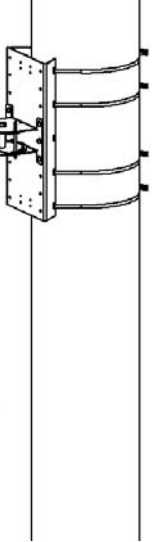
PENDANT/PEDESTAL
MOUNT w/9.5" EXTENSION
ADJUSTABLE EXTENSION
(PN 80960-9.5EX)



7-AXIS POLE/POST
MOUNT (80955)



POLE MOUNTING
PLATE (PN 50386)



7-AXIS MOUNT
(PN 80950 & 80951)
ON STUD BRIDGE PLATE
(PN 50360)



VESA FLAT
MOUNT
(PN 80913)

ALL ASSEMBLIES ARE AVAILABLE TO SUPPORT MONITORS WITH 100/100mm, 100/200mm AND 200/200mm VESA COMPATIBLE MOUNTING PATTERNS