

# PQS

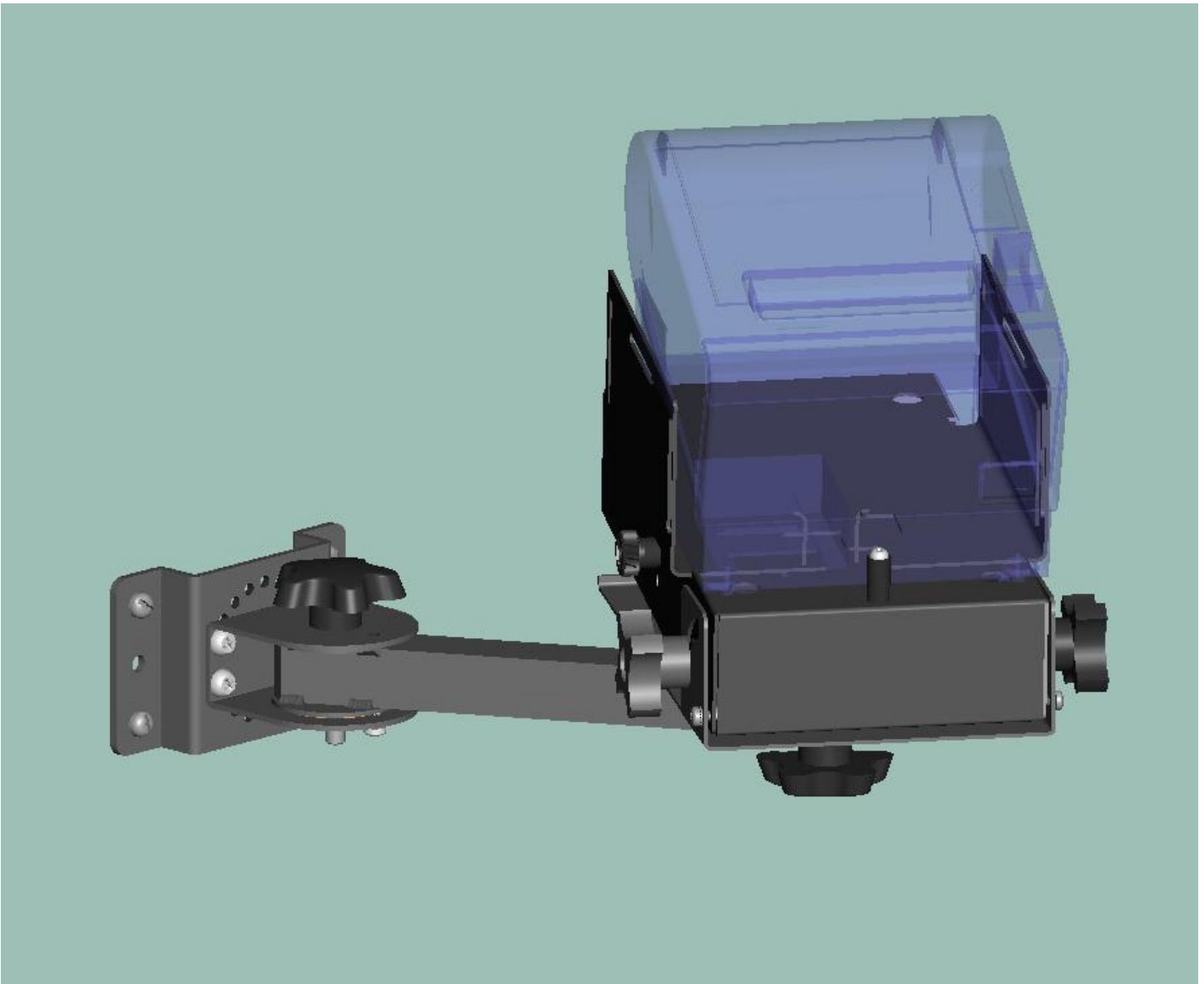
PRACTICAL QUALITY SYSTEMS

*Fast Custom Manufacturing - Nationwide Installation Services*

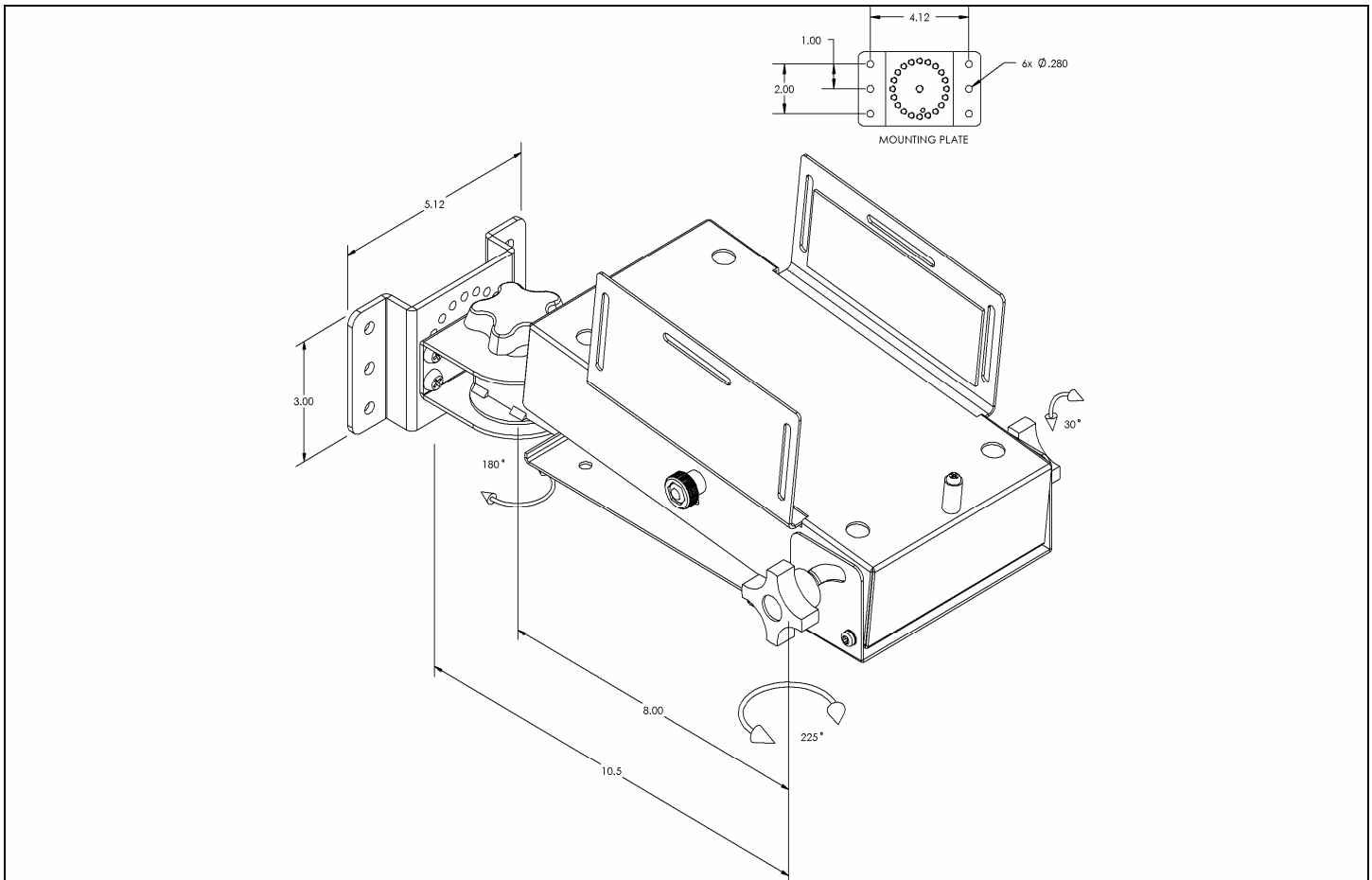
UVHM-P1-UPMT510

PN 80002

A single position plate with one 8" arm and a universal printer mounting tray



## A single position plate with one 8" arm and a universal printer mounting tray



### PRODUCT SPECIFICATIONS

- The sides of the printer tray adjust without tools to grip the sides of any printer from 5" to 9 1/2" wide.
- Attaches to a wall or any other flat vertical surface.
- Attaches to a shelf or any other flat horizontal surface.
- The printer tray can be tilted forward, rotated and locked into position without tools.
- The position of the 8" arm adjusts without tools and permits the printer tray to travel horizontally, allowing a range of positioning locations.
- For ceiling or pole mounting, the P1 plate attaches to any 3 1/2" or smaller OD pipe with U bolts.
- The position of the arm can also be locked more securely for the long term by tightening the arm locking screw with a Phillips screw driver.
- The UPMT also makes a great telephone mount.
- Add an optional P3 plate and another arm with a tilt head to support a terminal right next to the printer.
- This assembly is part of the UVHM system which includes many components that can be mixed and matched to create a support solution for any mounting location. Most of the UVHM assemblies can be easily reconfigured in the field for a different application by either adding or deleting a few parts.
- Each arm supports up to 15 lbs.