

PQS

PRACTICAL QUALITY SYSTEMS
Fast Custom Manufacturing - Nationwide Installation Services

Two Screen Flat Wall Mount for POSIFLEX terminals with 4 keyhole mounting 80911-402



Note: 80911-402 shown with two POSIFLEX JIVA 8315 touch screen terminals installed.

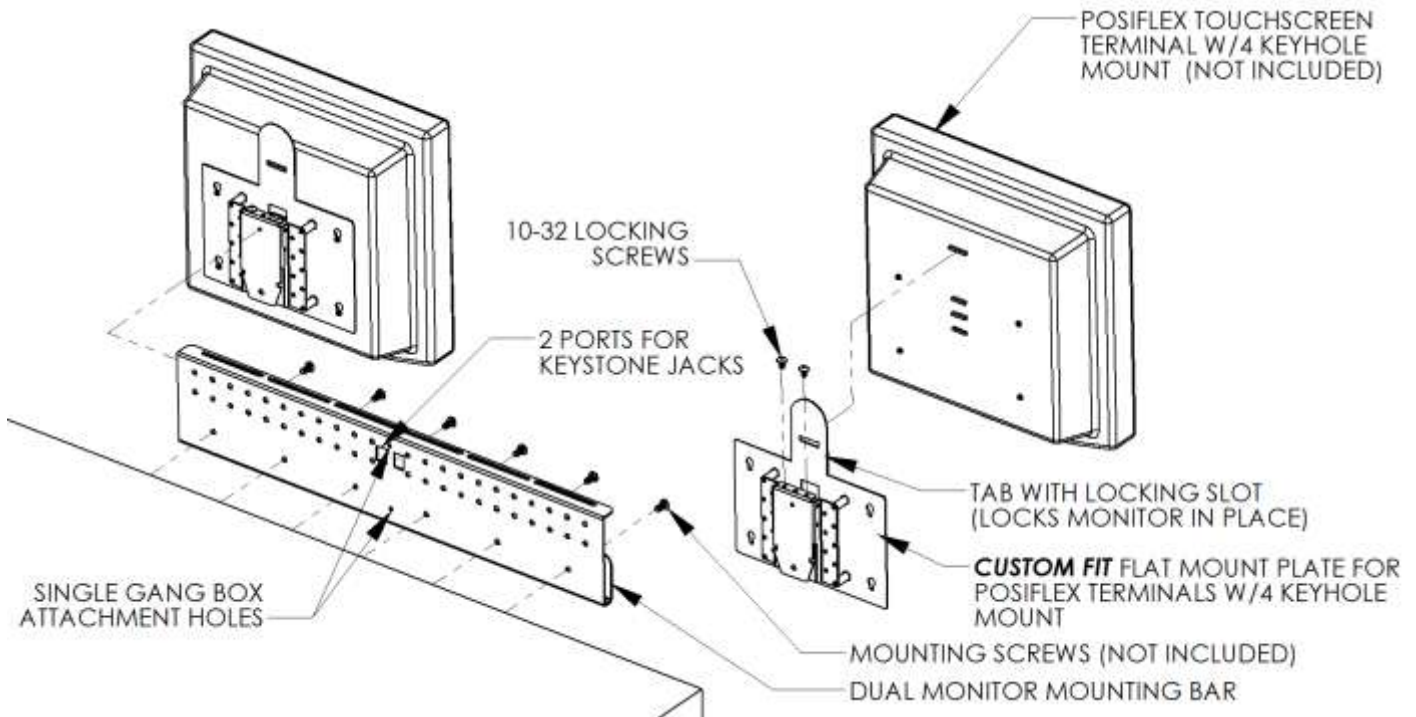
info@practicalqualitysystems.com

WWW.PRACTICALQUALITYSYSTEMS.COM

(818) 993-1022

ALL PRODUCTS PATENT PENDING

Two Screen Flat Wall Mount for POSIFLEX terminals with 4 keyhole mounting 80911-402



Note: 80911-402SS shown with two POSIFLEX JIVA 8315 touch screen terminals.

PRODUCT SPECIFICATIONS

- Supports two POSIFLEX terminals with 4 keyhole mounting.
- Attaches to a wall or any flat vertical surface.
- Keyhole slots in the mounting plate mate to the mounting pegs on the terminal to attach them together. Terminal is secured to the mounting plate by a locking slot that snaps over a protrusion on the terminal.
- A single monitor can be positioned anywhere along the length of the mount bar.
- The mount bar's two outer holes are 16" apart to allow for fixing to vertical studs inside walls.
- 10-32 screws secure the monitors in place.
- Mounting bar includes two ports for keystone jacks as well as attachment holes for a single gang box.
- PQS also offers a *Flat Mount Bracket* for single POSIFLEX terminal with 4 keyhole mounting touch screen terminal (see PN 80910-402).
- For assembly instructions see the *User Manual* which can be downloaded from the *Product Resources* page on our website.
- Most of our modular mounting systems can be easily reconfigured in the field for a different application by either adding or removing a few parts to create a support solution for any mounting location.
- Available to support all VESA and NON VESA compatible touch screens, terminals or flat panel monitors. Refer to the *Custom Fit Pan and Tilt Heads* page on our website found in the *Other Products* section for the most current list of options. If we don't have a compatible mount or pan and tilt head; send us a sample of your screen and we'll create a *Custom Fit* solution for you.

Two Screen Flat Wall Mount for POSIFLEX terminals with 4 keyhole mounting 80911-402

MOUNTING OPTIONS:

- Using our *Custom Fit* pan and tilt head (PN 80881-402) your POSIFLEX terminal with 4 keyhole mounting can be mounted onto any of the following mounting systems. They are also available with pan and tilt heads for 75, 100 and 200mm VESA compatible screens as well as *Custom Fit* pan and tilt heads for all other non VESA compatible screens.
- Refer to the *Custom Fit Pan and Tilt Heads* page on our website found in the *Other Products* section for the most current list of options. If we don't have a compatible pan and tilt head send us a sample of your screen and we'll create a *Custom Fit* solution for you.

