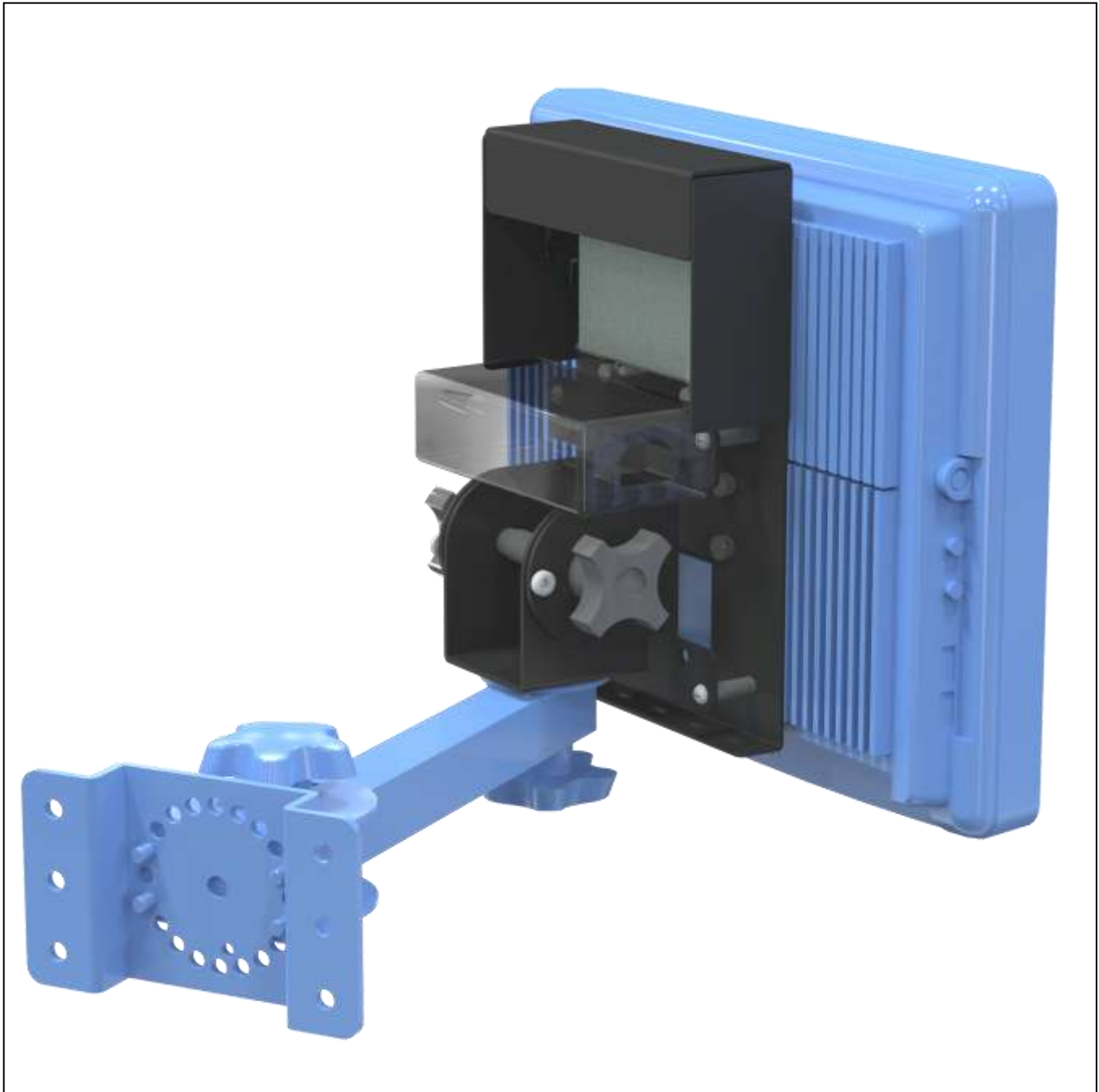


PQS

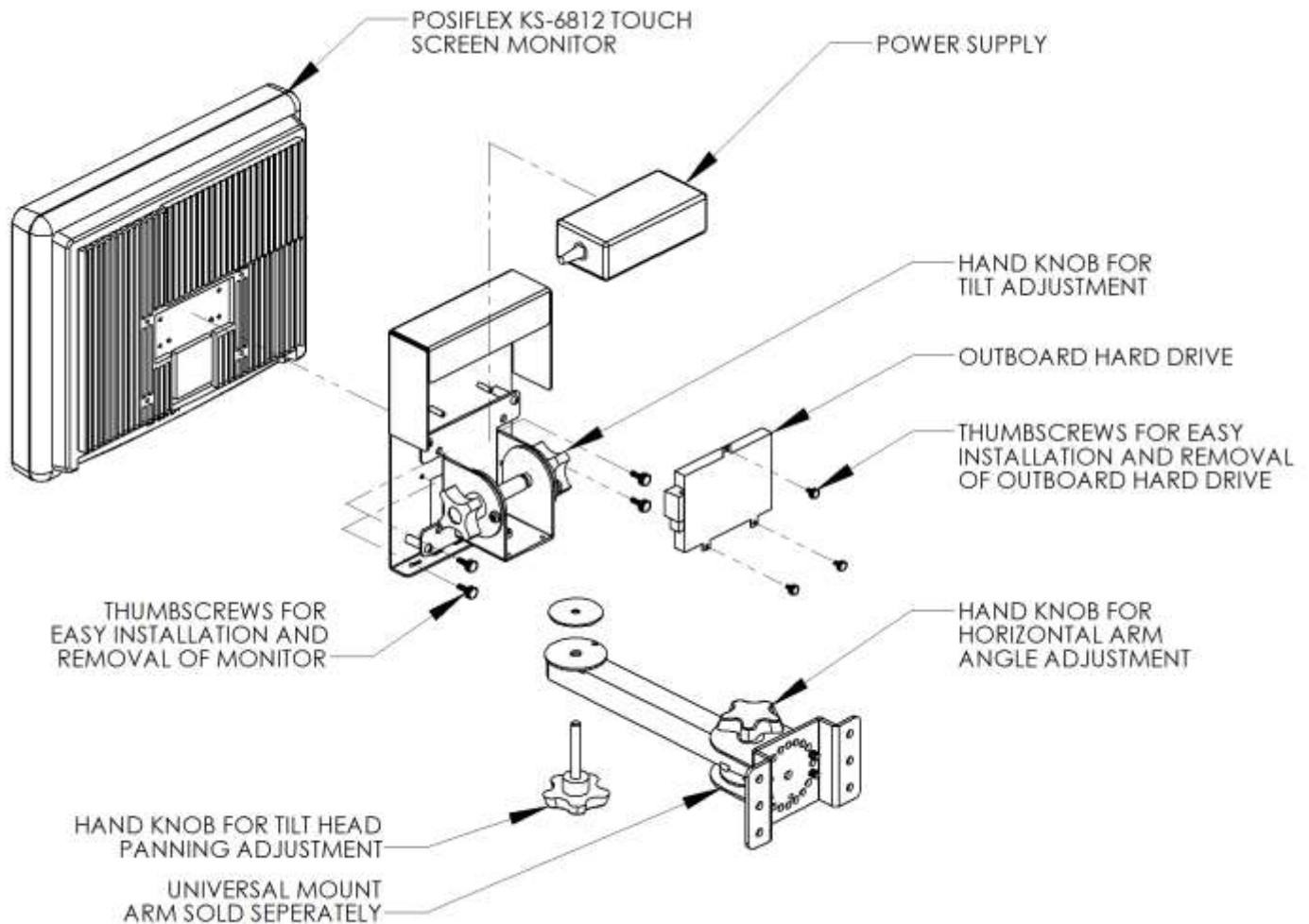
PRACTICAL QUALITY SYSTEMS
Fast Custom Manufacturing - Nationwide Installation Services

Custom Fit pan and tilt head for Posiflex KS-6812 PN 80880-400



Note: 80880-400 Custom Fit screen pan and tilt head for Posiflex KS6812 touch screen shown with wall mount (PN# 80000). All mounting systems also available for VESA and non VESA compatible screens.

Custom Fit pan and tilt head for Posiflex KS-6812 PN 80880-400



Note: 80880-400 Custom Fit screen pan and tilt head for Posiflex KS6812 touch screen shown with wall mount (PN# 80000). All mounting systems are also available for VESA and non VESA compatible screens. All assemblies with non VESA compatible pan and tilt heads will appear differently.

PRODUCT SPECIFICATIONS

- Supports a Posiflex KS-6812 terminal to integrate with any of our mounting products.
- Pan and tilt head adjusts without tools to lock the screen at any position, side to side or up and down.
- Position of the pan and tilt head can also be locked more securely for the long term by tightening the pan and tilt head locking screws with a Phillips screw driver.
- Thumbscrews secure terminal to pan and tilt head for easy installation and removal.
- Each arm supports up to 15 lbs.
- A Most of our modular mounting systems can be easily reconfigured in the field for a different application by either adding or removing a few parts to create a support solution for any mounting location.

Custom Fit pan and tilt head for Posiflex KS-6812 PN 80880-400

- For assembly instructions see the *User Manual* which can be downloaded from the *Product Resources* page on our website.
- For a list of all of our current non VESA compatible pan and tilt heads refer to the *Custom Fit Pan and Tilt Heads* page on our website. The page can be found listed under the *Other Products* section. If the website doesn't show the part number suffix that represents a type that is compatible with your screen pan and tilt head; send us a sample of your screen and we'll create a *Custom Fit* solution for you.
- To order this assembly use part number 80880-400.

MOUNTING OPTIONS:

- All of our screen pan and tilt heads can be used with any of the following mounting systems.

