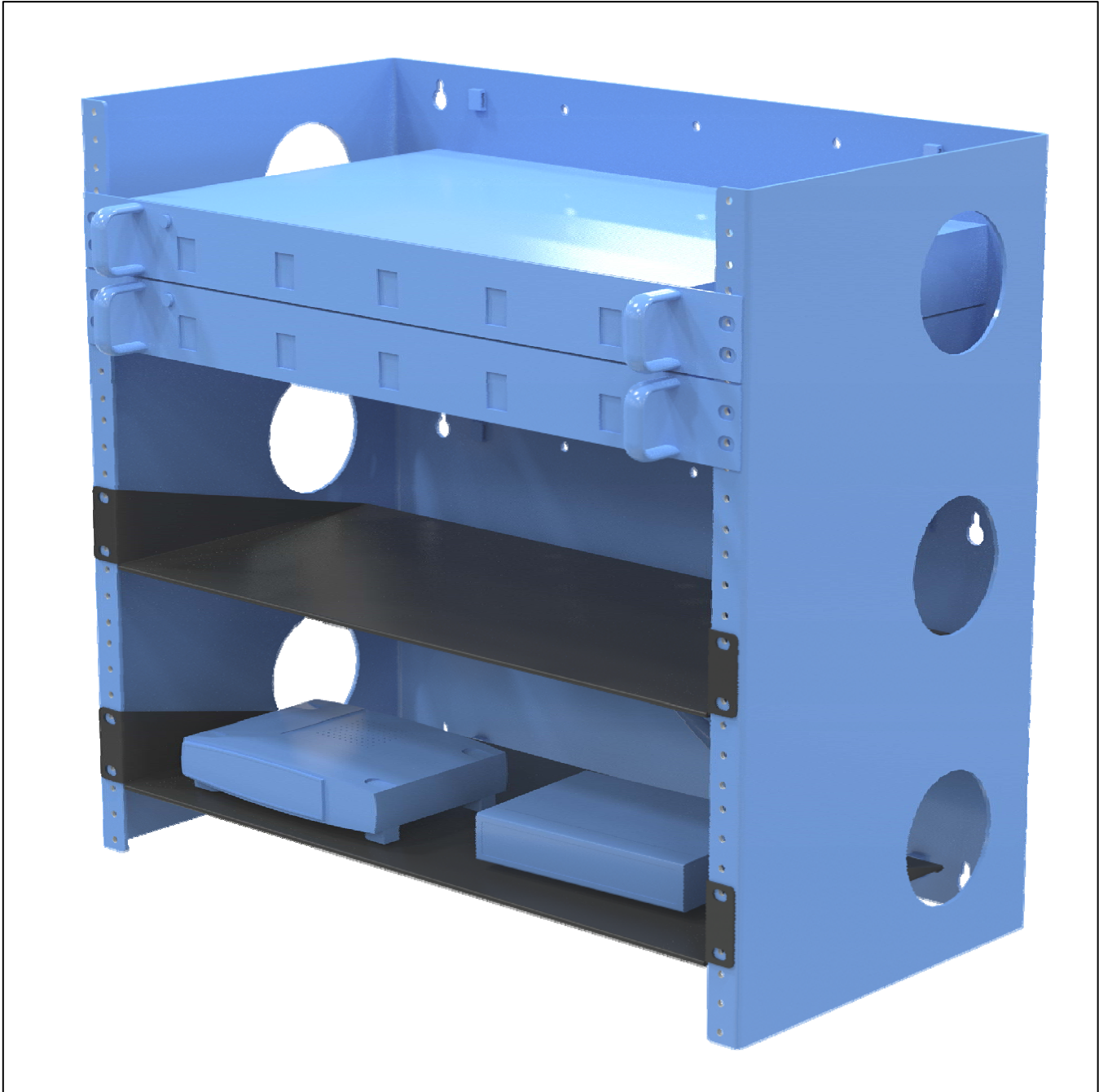


PQS

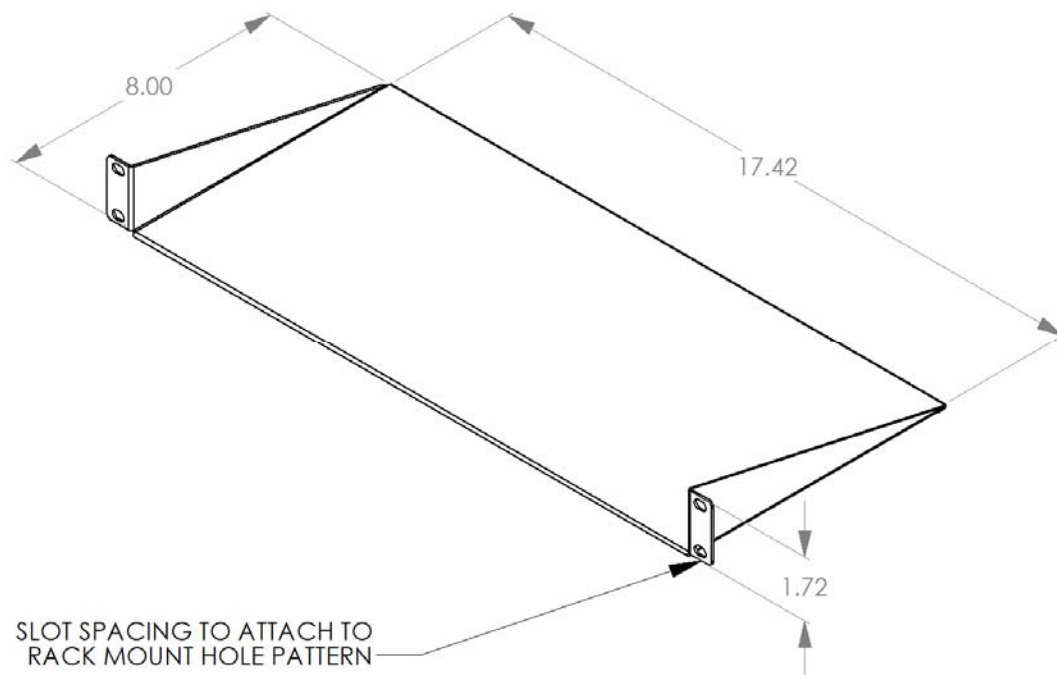
PRACTICAL QUALITY SYSTEMS
Fast Custom Manufacturing - Nationwide Installation Services

19 in Rack Mount Shelf PN 50346



NOTE: 2 Rack Mount Shelves (PN 50346) shown installed in Rack Mount (PN 50344) with server equipment.

19 in Rack Mount Shelf PN 50346



PRODUCT SPECIFICATIONS

- *Rack Mount Shelf* is designed to fit onto *19in Wall Mount Rack* (PN 50344).
- Surface finished with a black powder coat to resist corrosion.
- Provides a flat resting place for non-rack mount equipment that needs to be installed close to other equipment on a rack.