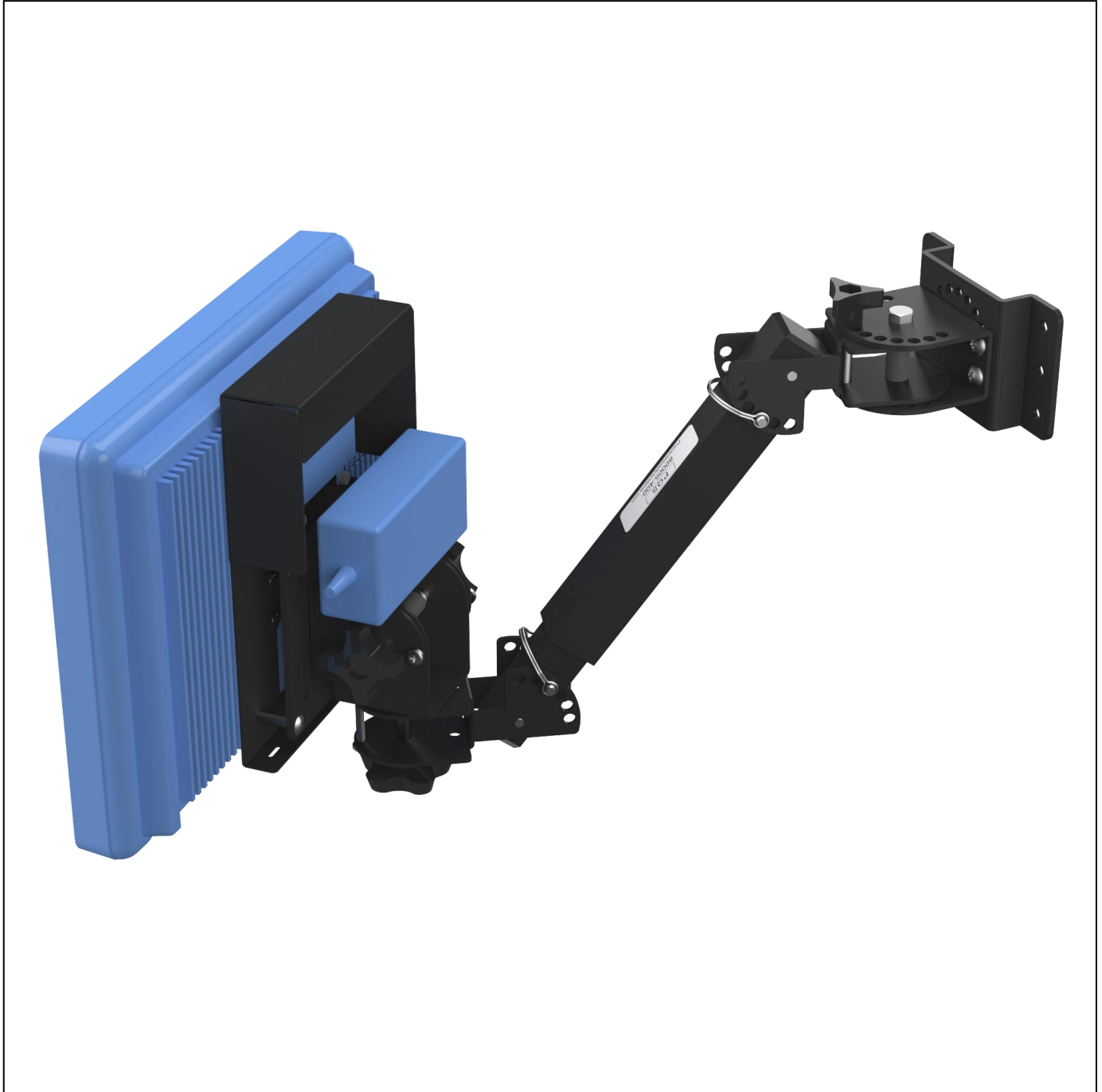


PQS

PRACTICAL QUALITY SYSTEMS
Fast Custom Manufacturing - Nationwide Installation Services

Wall Mount w/ extendable arm and screen pan and tilt head for Posiflex KS6812 PN 80005-400



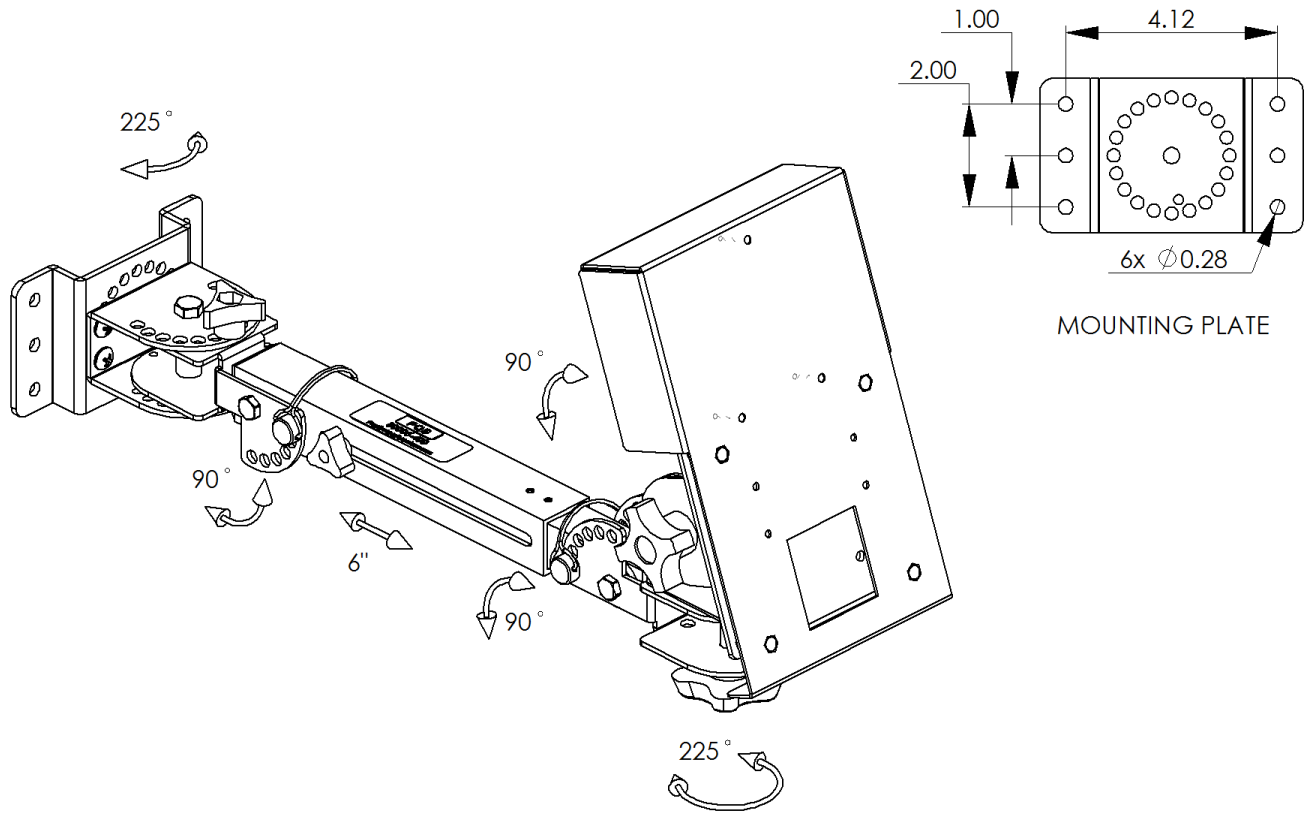
NOTE: 80005-400 shown with a Posiflex KS 6812 touch screen, external SATA hard drive and power supply mounted to its *Custom Fit* Pan and Tilt head.

info@practicalqualitysystems.com WWW.PRACTICALQUALITYSYSTEMS.COM

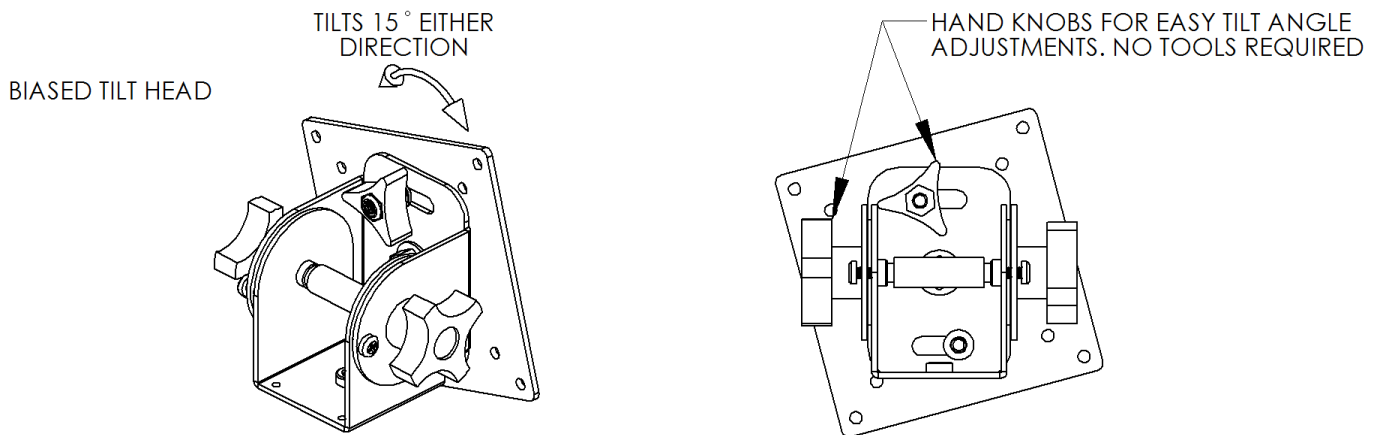
(818) 993-1022

ALL PRODUCTS PATENT PENDING

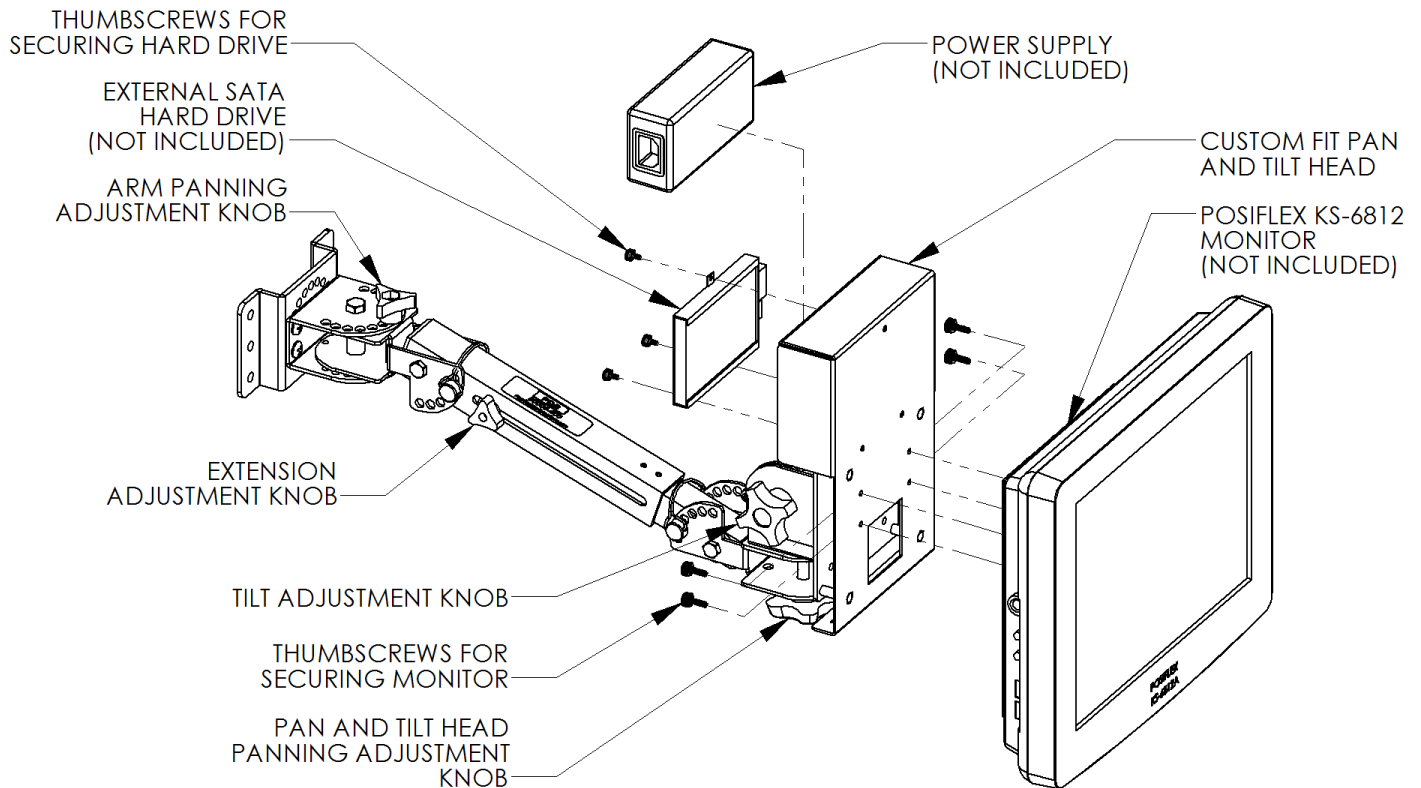
Wall Mount w/ extendable arm and screen pan and tilt head for Posiflex KS6812 PN 80005-400



Note: 80005-400 with a *Custom Fit* pan and tilt head shown.



NOTE: Pan and tilt head for this assembly has biased tilt adjustment.

Wall Mount w/ extendable arm and screen pan and tilt head for Posiflex KS6812 PN 80005-400**PRODUCT SPECIFICATIONS**

- Supports a Posiflex KS6812 touch screen.
- Attaches to a wall or any other flat vertical surface, or to a shelf or any other flat horizontal surface.
- The *Custom Fit* pan and tilt head provides a semi-enclosed mounting location for the Posiflex KS-6812's external SATA hard drive as well as mounting for other peripheral equipment (power supply).
- Pan and tilt head also has biased adjustment.
- Pan and tilt head adjusts without tools to lock the screen at any position.
- The arm can be extended to increase the mount's reach from 18" to 24."
- The outward and downward angle of the arm is adjustable at the top and bottom ends of the arm with special "offset" brackets and easy to use wire lock pins to set a wide range of selectable angles.
- The horizontal position of the arm can be easily changed and locked as needed by removing and reinserting a simple hand knob.
- The position of the pan and tilt head can also be locked more securely for the long term by tightening the locking screws with a Phillips screw driver.
- This mount can also be reconfigured in the field to reach upward and outward from the mounting surface.
- With the addition of an optional *three arm mounting plate*, two arms can be mounted together.
- Most of our modular mounting systems can be easily reconfigured in the field for a different application by either adding or removing a few parts to create a support solution for any mounting location.
- Arm supports up to 15 lbs.
- All wall mountable assemblies can be ordered with an optional *Stud Bridge Mounting Plate* (PN 50360) that supports up to three arms and attaches to wall studs spaced at 16" on center.

Wall Mount w/ extendable arm and screen pan and tilt head for Posiflex KS6812 PN 80005-400

- All wall mountable assemblies can be ordered with an optional *Pole Mounting Plate* (PN 50386) that supports up to three arms and attaches to any pole up to 8" diameter or column up to 24".
- For assembly instructions see the *User Manual* which can be downloaded from the *Product Resources* page on our website.
- To order this assembly use part number 80005-400.
- Available with pan and tilt heads to support all VESA and NON VESA compatible touch screens, terminals or flat panel monitors. Refer to the *Custom Fit Pan and Tilt Heads* page on our website found in the *Other Products* section for the most current list of options. If the website doesn't show a suffix that represents your compatible pan and tilt head then send us a sample of your screen and we'll create a *Custom Fit* solution for you.

MOUNTING OPTIONS:

- All of our screen pan and tilt heads including our *Custom Fit* products can be used with any of the following mounting systems.

