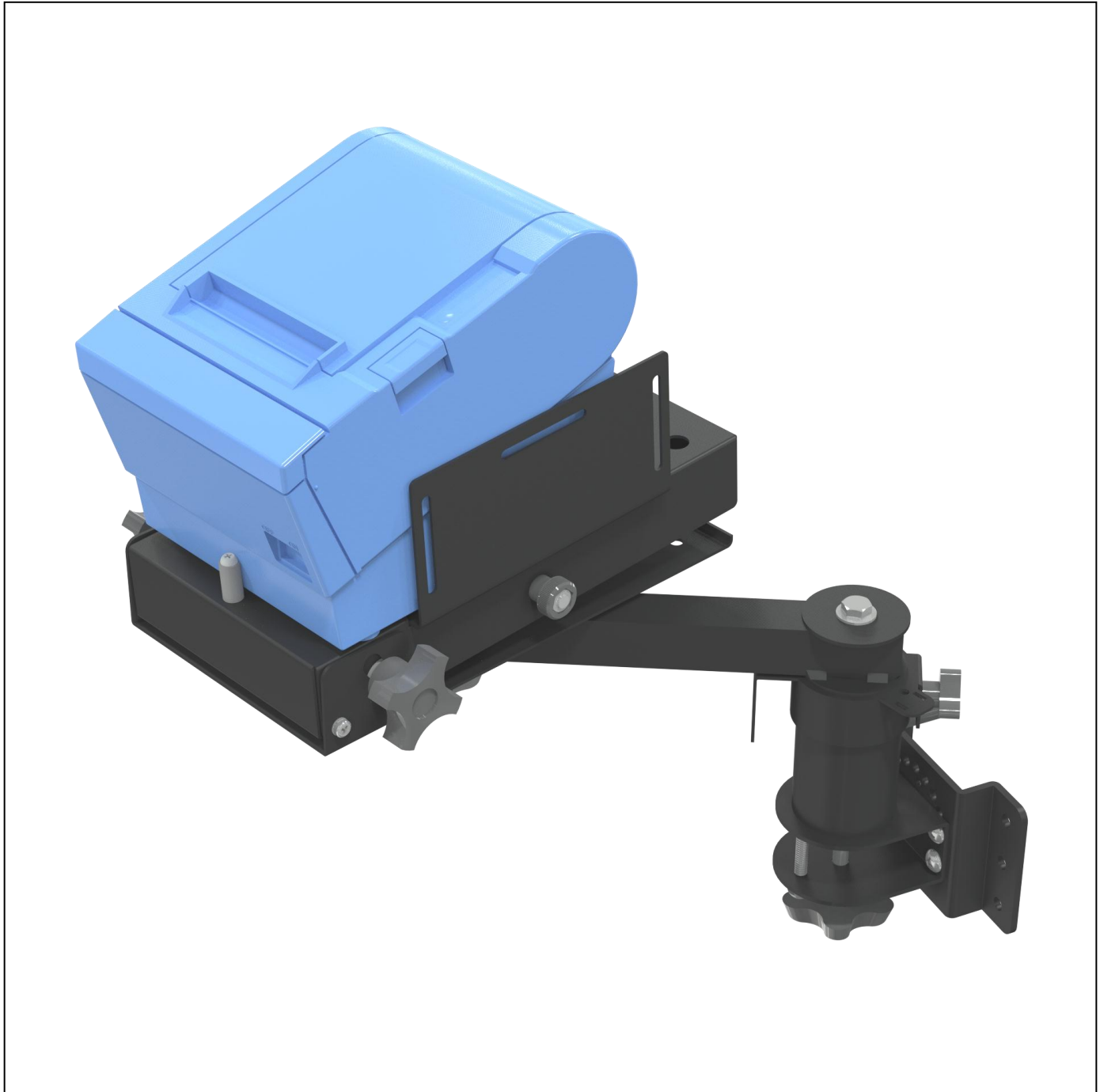


# PQS

PRACTICAL QUALITY SYSTEMS  
*Fast Custom Manufacturing - Nationwide Installation Services*

Wall Mount w/ 3" or 6" riser, 8" arm, and a universal printer mounting tray PN 80024-80025



NOTE: 80025 with a 3" riser shown.

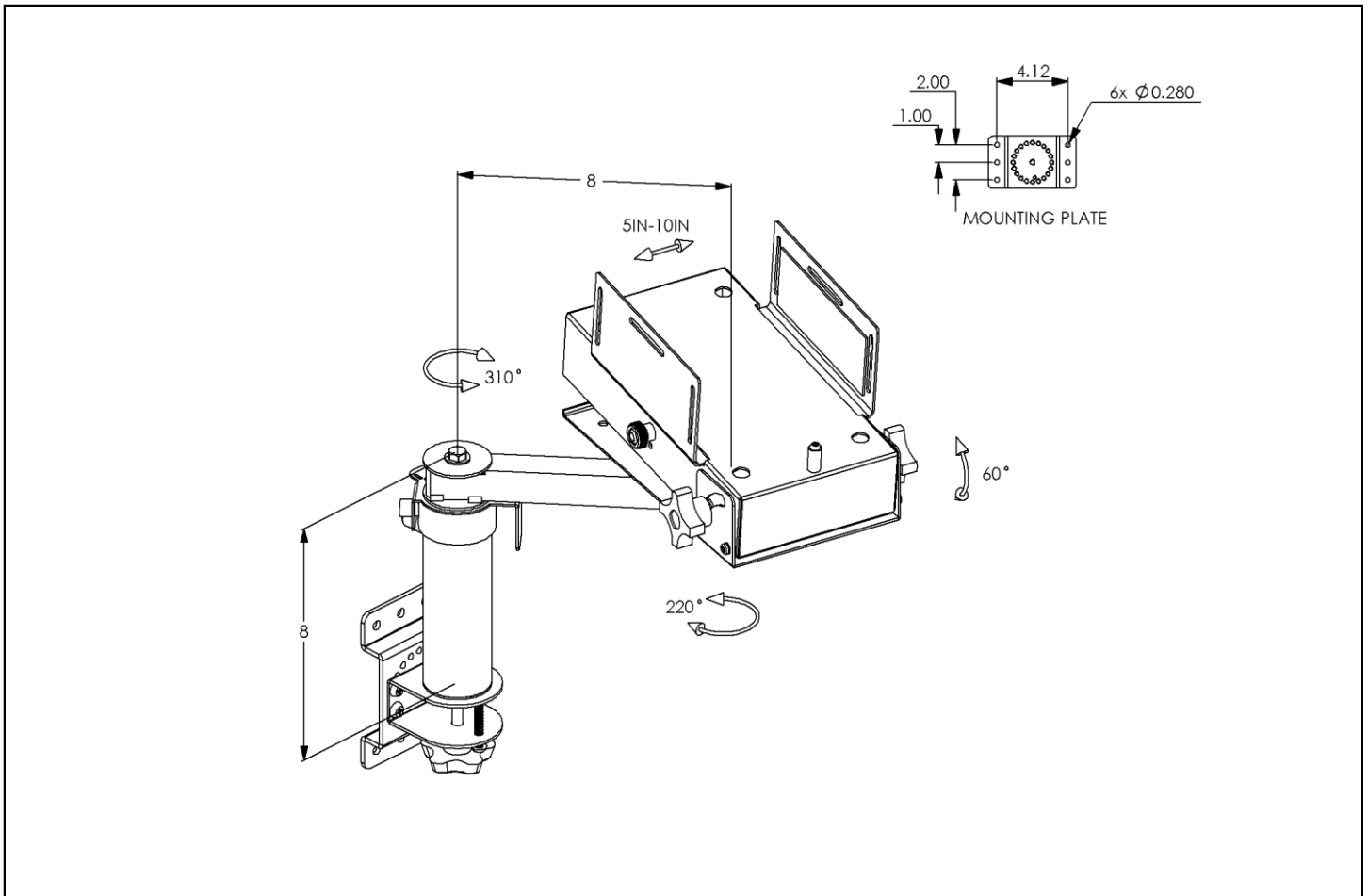
[info@practicalqualitysystems.com](mailto:info@practicalqualitysystems.com)

[WWW.PRACTICALQUALITYSYSTEMS.COM](http://WWW.PRACTICALQUALITYSYSTEMS.COM)

(818) 993-1022

**ALL PRODUCTS PATENT PENDING**

## Wall Mount w/ 3" or 6" riser, 8" arm, and a universal printer mounting tray PN 80024-80025



NOTE: 80024 with a 6" riser shown.

### PRODUCT SPECIFICATIONS

- The sides of the *Universal Printer Mounting Tray* adjust without tools to grip the sides of any printer from 5" to 9 1/2" wide.
- Attaches to a wall or any other flat vertical surface.
- The *Universal Printer Mounting Tray* can be tilted forward, rotated and locked into position without tools.
- In some cases it is recommended to install a screen on a 6 inch riser and printer on a 3 inch riser.
- A 3" or 6" riser elevates the 8" arm above the mounting surface and allows the *Universal Printer Mounting Tray* to travel horizontally to permit a wide range of printer locations.
- The arm can rotate freely or be locked in any position horizontally without tools at the riser cap.
- The *Universal Printer Mounting Tray* also makes a great telephone mount.
- Add an optional *three arm mounting plate* and another arm with a pan and tilt head to support a terminal right next to the printer.

**Wall Mount w/ 3" or 6" riser, 8" arm, and a universal printer mounting tray PN 80024-80025**

- Integral stop details on the riser and arm can be located at any setting to prevent cable damage when the arm supporting the screen or the printer is rotated around the riser.
- The printer or pan and tilt head can be easily removed from the arm and attached directly to the top of the riser.
- The riser cap incorporates a cable tie point to secure the cables so that they will travel safely as the arm is rotated.
- The pan and tilt head includes integral stop details that limit a full rotation to the right of left to prevent cable damage.
- Most of our modular mounting systems can be easily reconfigured in the field for a different application by either adding or removing a few parts to create a support solution for any mounting location.
- Please specify either 3" or 6" riser(s) when ordering.
- Each arm supports up to 15 lbs.
- For assembly instructions see the *User Manual* which can be downloaded from the *Product Resources* page on our website.

**PRODUCT ASSEMBLIES**

See descriptions for the different product assemblies below to determine which best suites your needs. For NON VESA compatible pan and tilt heads add the part number suffix found on the *Custom Fit Pan and Tilt Heads* page on our website. The page can be found listed under the "Other Products" section.

- Wall Mount w/6" risers plus:
  - Riser, one 8" arm and a 75/100mm VESA compatible pan and tilt head and 80024
  - Riser, one 8" arm and a *Custom Fit* NON VESA compatible pan & tilt head 80024 + Suffix
- Wall Mount w/3" risers plus:
  - Riser, one 8" arm and a 75/100mm VESA compatible pan and tilt head and 80025
  - Riser, one 8" arm and a *Custom Fit* NON VESA compatible pan & tilt head 80025 + Suffix

If the website doesn't show a suffix that represents your compatible pan and tilt head then send us a sample of your screen and we'll create a *Custom Fit* solution for you.

Wall Mount w/ 3" or 6" riser, 8" arm, and a universal printer mounting tray PN 80024-80025

MOUNTING OPTIONS:

- *Universal Printer and Universal Keyboard Mounting Tray* assemblies as well as all our screen and pan tilt heads can be used with any of the following mounting systems.

