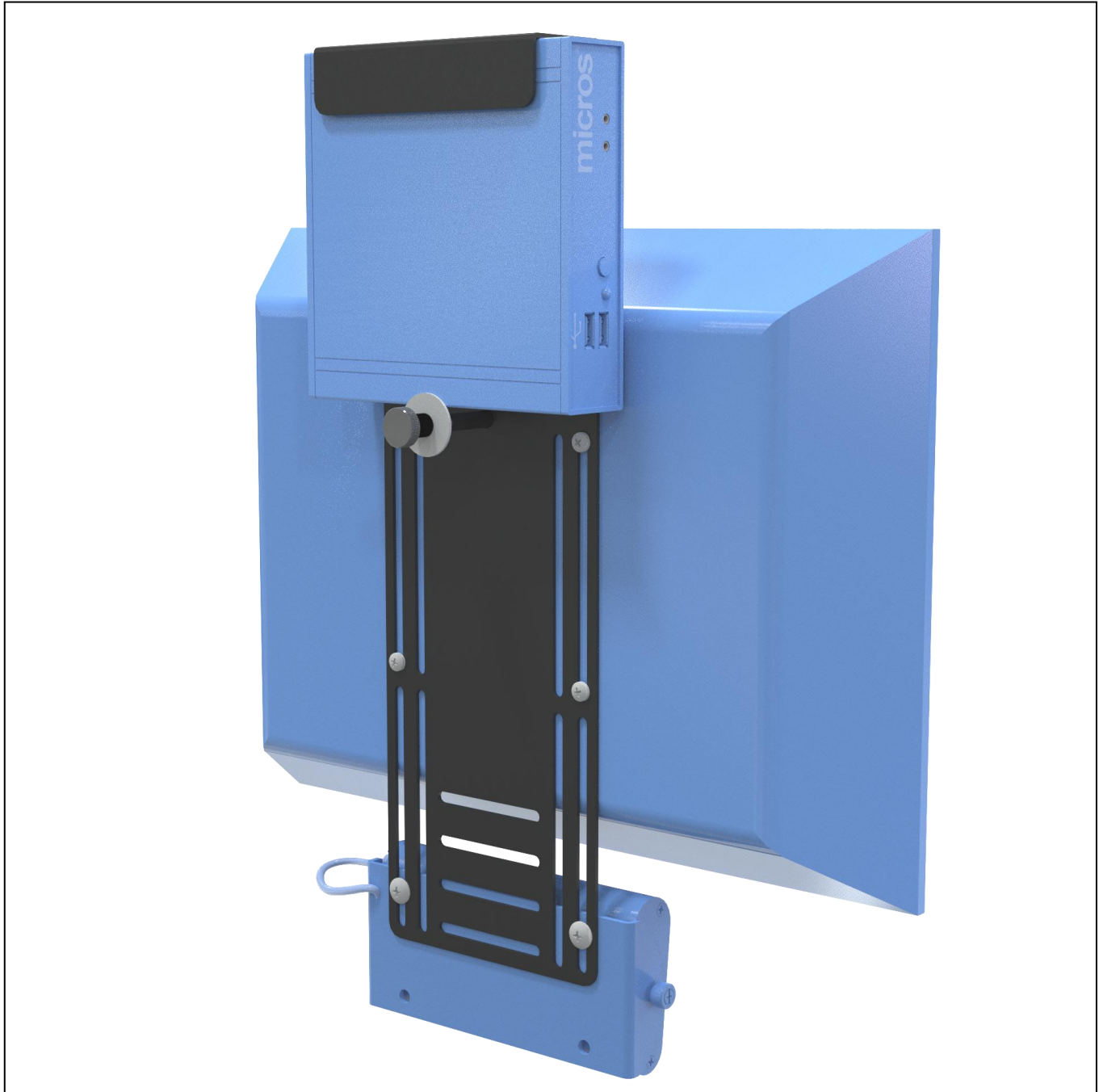


PQS

PRACTICAL QUALITY SYSTEMS
Fast Custom Manufacturing - Nationwide Installation Services

Micros RDC Back of Screen controller Mount PN 80501



Note: 80501 shown with Micros DT-166 Restaurant Display Controller, 15" monitor and MICROS MBB-10 Bump Bar

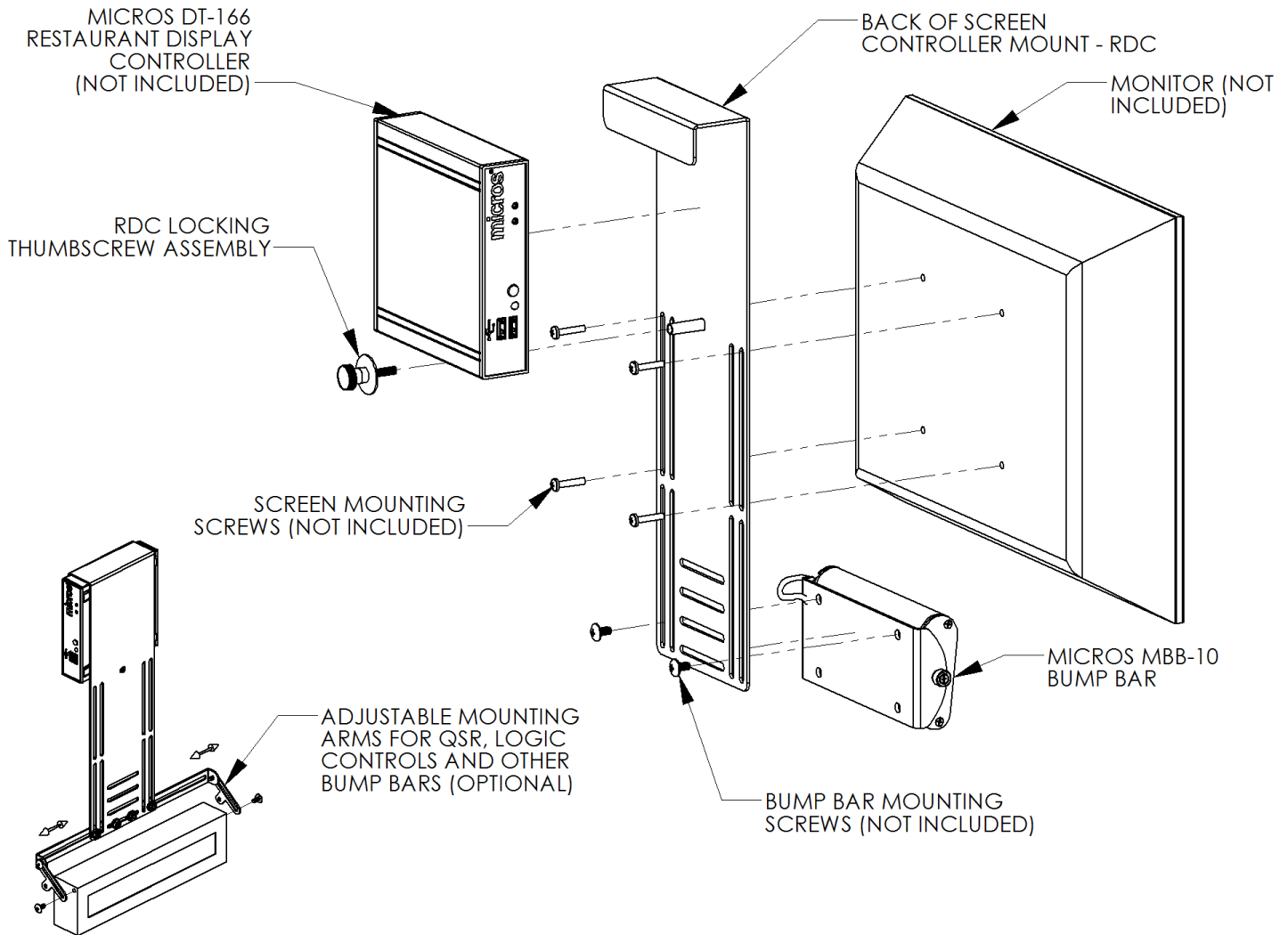
info@practicalqualitysystems.com

WWW.PRACTICALQUALITYSYSTEMS.COM

(818) 993-1022

ALL PRODUCTS PATENT PENDING

Micros RDC Back of Screen controller Mount PN 80501



PRODUCT SPECIFICATIONS

- Mounts behind any 75 or 100 mm VESA compatible flat panel monitor, touch screen or terminal to support a MICROS RDC (Restaurant Display Controller) unit.
- The *Micros RDC Back of Screen Controller Mount* can support the RDC unit above, below, or to either side of the back of the screen.
- The RDC unit slides easily into a snug steel holster and is secured with a special thumbscrew.
- Add an optional 18" VGA cable to connect a video controller or micro computer to the monitor or touch screen. This custom short Male/Male cable reduces "cable clutter" behind the screen for a cleaner installation.
- Add optional bump bar adjustable mounting arms to attach a QSR KP3000 or LC-11 keyboard/bump bar directly to the bottom of the *Micros RDC Back of Screen Controller Mount* and locate it right below the bottom of the screen.
- Most of our modular mounting systems can be easily reconfigured in the field for a different application by either adding or removing a few parts to create a support solution for any mounting location.
- To order this assembly use part number 80501.
- Also available in a universal assembly PN 80500 and as well as PN 80502 to support QSR Bump Bars.