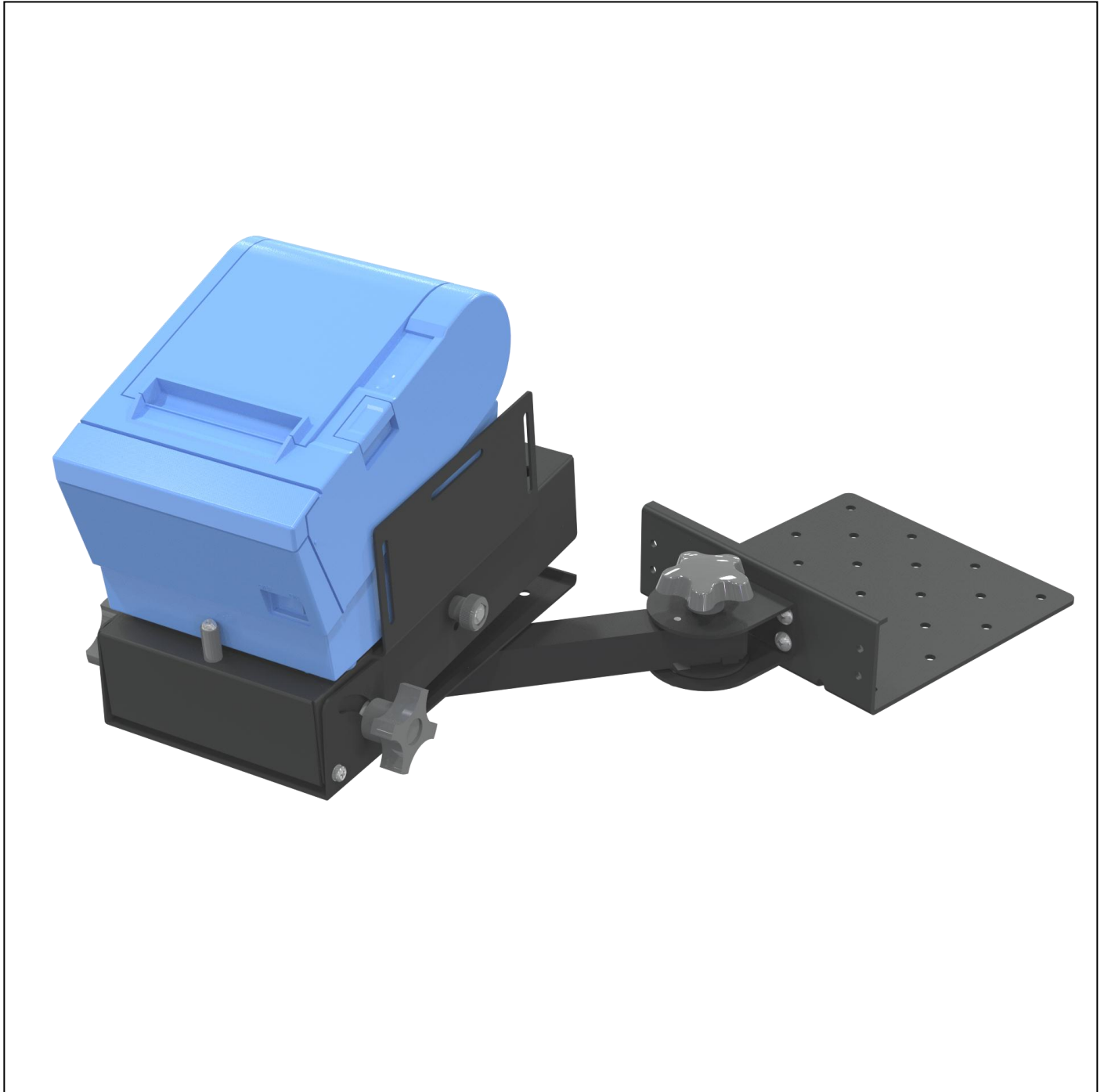


# PQS

PRACTICAL QUALITY SYSTEMS  
*Fast Custom Manufacturing - Nationwide Installation Services*

## Under-Counter Mount w/8" arm, and a universal printer mounting tray PN 80201



NOTE: 80201 with a *Universal Printer Mounting Tray* shown.

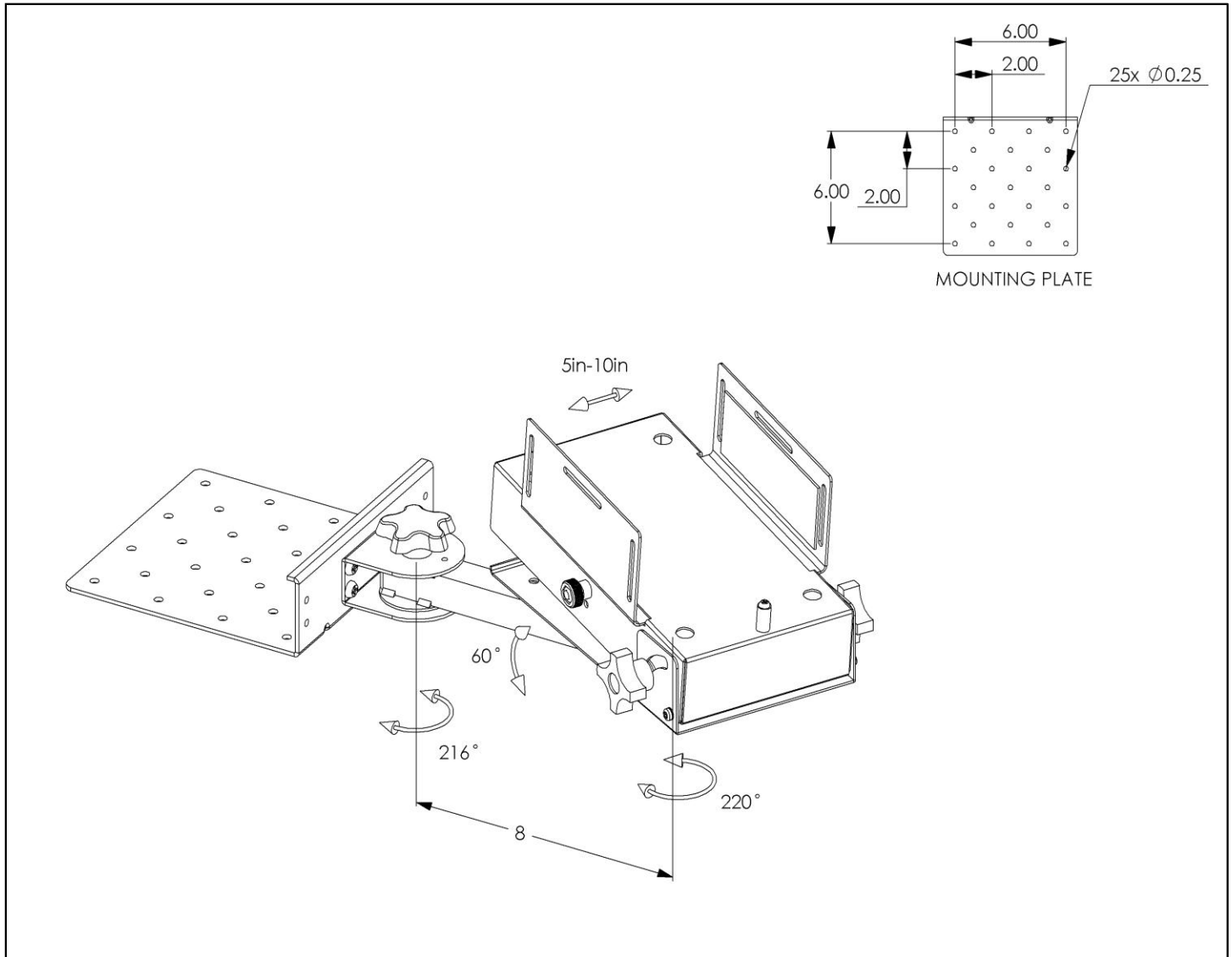
[info@practicalqualitysystems.com](mailto:info@practicalqualitysystems.com)

[WWW.PRACTICALQUALITYSYSTEMS.COM](http://WWW.PRACTICALQUALITYSYSTEMS.COM)

(818) 993-1022

**ALL PRODUCTS PATENT PENDING**

Under-Counter Mount w/8" arm, and a universal printer mounting tray PN 80201



NOTE: 80201 with a *Universal Printer Mounting Tray* shown.

PRODUCT SPECIFICATIONS

- The sides of the *Universal Printer Mounting Tray* adjusts without tools to grip the sides of any printer from 5" to 9 1/2" wide.
- Attaches underneath of a counter top, a shelf or any other flat horizontal surface.
- The *Universal Printer Mounting Tray* can be tilted forward, rotated and locked into position without tools.
- The position of the 8" arm adjusts without tools and permits the printer tray to travel horizontally and allows a range of positioning locations.
- The position of the arm can be locked more securely for the long term by tightening the arm locking screw with a Phillips screw driver.
- The *Universal Printer Mounting Tray* also makes a great telephone mount.

**Under-Counter Mount w/8" arm, and a universal printer mounting tray PN 80201**

- The *Under Counter* mounting plate permits attachment of a second optional arm and a variety of different pan and tilt heads to support any touch screen, terminal or flat panel monitor right next to the printer.
- Most of our modular mounting systems can be easily reconfigured in the field for a different application by either adding or removing a few parts to create a support solution for any mounting location.
- Each arm supports up to 15 lbs.
- For assembly instructions see the *User Manual* which can be downloaded from the *Product Resources* page or at the top of the info sheet on our website.
- To order this assembly use part number 80201

**Under-Counter Mount w/8" arm, and a universal printer mounting tray PN 80201**

**MOUNTING OPTIONS:**

- All of our screen pan tilt heads as well as our *Universal Printer & Keyboard Mounting Tray* assemblies can be used with any of the following mounting systems.

